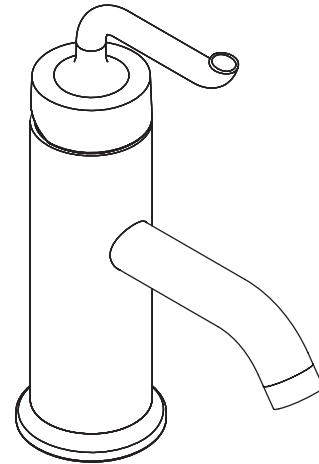


**LAVATORY FAUCET
K-14402**

ADA

Features

- Brass construction
- One-piece self-contained ceramic disc valve allows both volume and temperature control
- Temperature memory allowing faucet to be turned on and off at any temperature setting
- High-temperature limit stop for added safety
- 2.2 gallons (8.3 L) per minute
- Single-hole mounting
- Pop-up drain with lift rod and tailpiece
- Available with straight or curved handle
- Flexible supplies for easy installation
- 5-1/2" (14 cm) spout



Codes/Standards Applicable

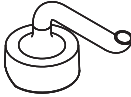
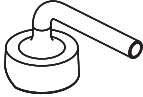
Specified model meets or exceeds the following:

- ASME A112.18.1
- CSA B125
- IAPMO/UPC
- NSF 61

Colors/Finishes

- CP: Polished Chrome
- PB: Polished Brass
- Other: Refer to Price Book for additional colors/finishes

Specified Model

Model	Description		
K-14402-4	With Curved Handle	<input type="checkbox"/> CP <input type="checkbox"/> PB <input type="checkbox"/> Other ____	
K-14402-4A	With Straight Handle		<input type="checkbox"/> CP <input type="checkbox"/> PB <input type="checkbox"/> Other ____

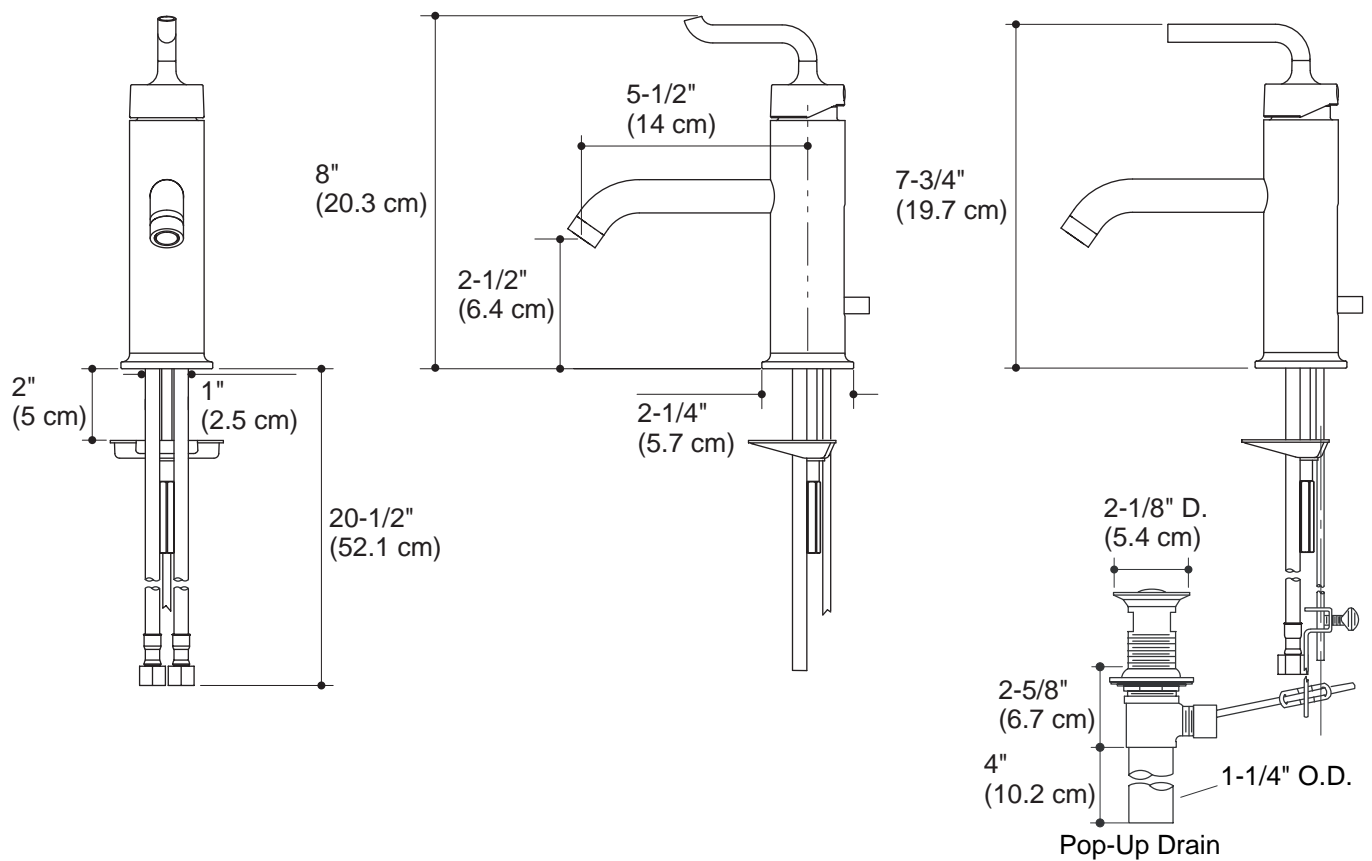
Product Specification

Single-control lavatory faucet shall be of brass construction and rated at 2.2 gallons (8.3 L) per minute. The valve shall be a one-piece, self-contained ceramic disc valve, and allows both volume and temperature control. The valve shall feature temperature memory, allowing the faucet to be turned on and off at any temperature setting, and includes a high-temperature limit stop. Product shall include single-hole mounting, flexible connections, 5-1/2" (14 cm) spout, pop-up drain with lift rod and tailpiece, and curved or straight handle. Faucet shall be Kohler Model K-14402-_____-_____.

PURIST™

Installation Notes

Install this product according to the installation guide.



Product Diagram