

WALL-MOUNT LAVATORY K-14293

ADA

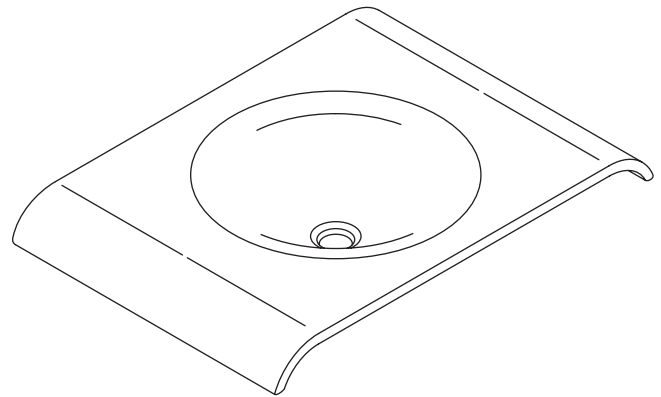
Features

- Wall-mount
- KOHLER cast iron
- Without overflow
- 27" (68.6 cm) x 19" (48.3 cm)

Codes/Standards Applicable

Specified model meets or exceeds the following:

- ADA
- IAPMO/UPC
- CSA B45
- ASME A112.19.2



Colors/Finishes

- Other: Refer to Price Book for additional colors/finishes

Accessories:

- Other: Refer to Price Book for additional colors/finishes

Specified Model

Model	Description	Colors/Finishes	
K-14293	Cast iron lavatory	<input type="checkbox"/> 0 White	<input type="checkbox"/> Other_____
Recommended Accessories			
K-9018	P-Trap	<input type="checkbox"/> CP	<input type="checkbox"/> Other_____
K-7702	Pop-up drain with undercounter mount actuator	<input type="checkbox"/> CP	<input type="checkbox"/> Other_____

Product Specification:

The wall-mount lavatory shall be 27" (68.6 cm) x 19" (48.3 cm). Lavatory shall be made of cast iron. Lavatory shall be without overflow. Lavatory shall be Kohler Model K-14293-_____.

TABLEAU™

Technical Information

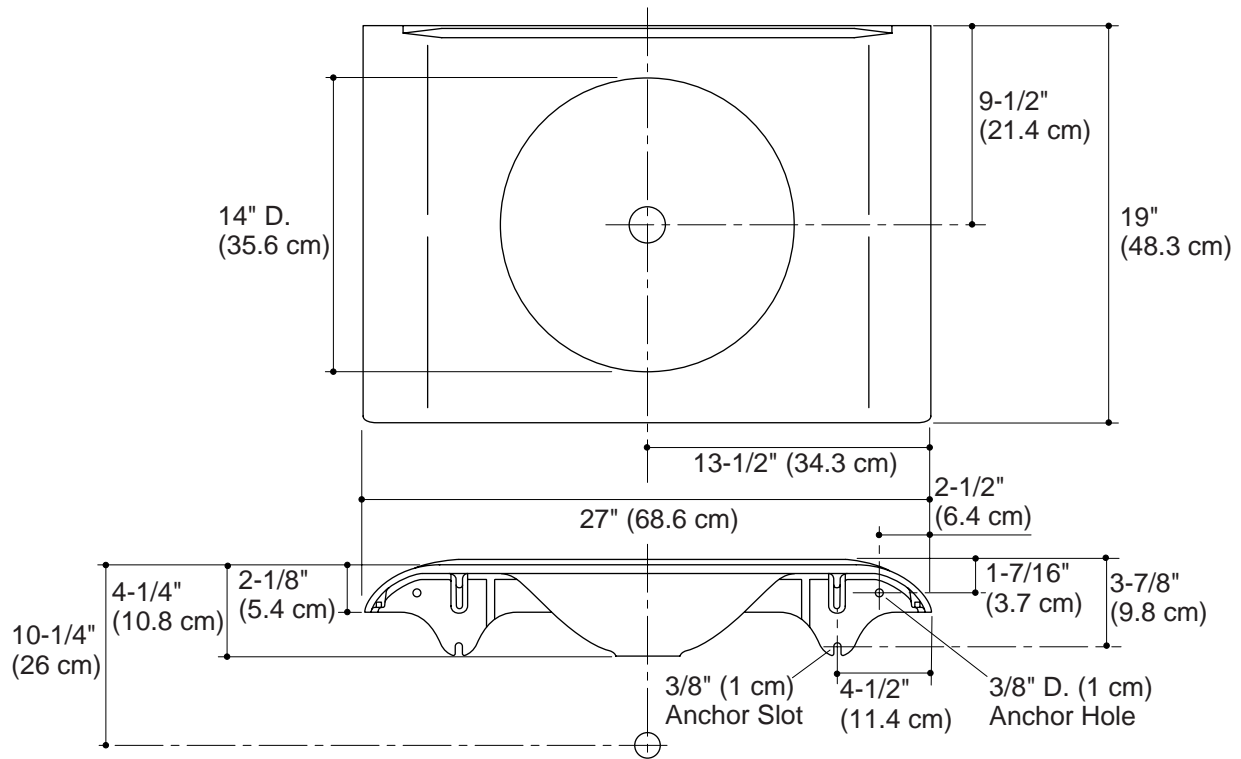
Fixture:*		basin area	water depth
Lavatory		14" D. (35.6 cm)	4" (10.2 cm)
Drain hole	1-3/4" D. (4.4 cm)		
* Approximate measurements for comparison only.			
Included components:			
Installation hardware		1036457	
Touch-up kit		500306-7	

Installation Notes

Install this product according to the installation guide.

Product does not have an overflow.

Spout must be 4" (10.2 cm) long (minimum) for adequate clearance into lavatory when installed with centerline as shown.



Product Diagram