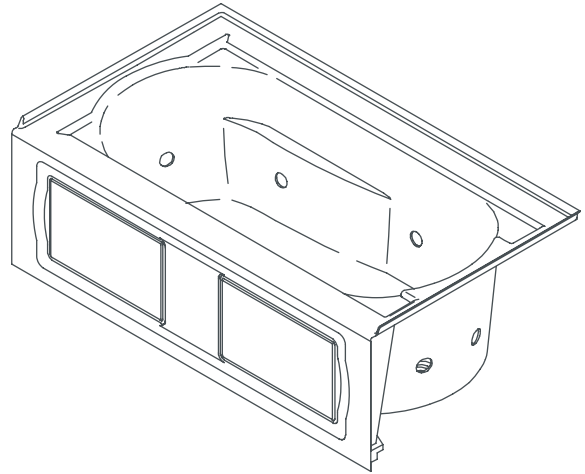


Features

- Acrylic
- 8 Kohler jets, color matched
- Pump with air switch and grounding-type plug-in cord
- In-line heater
- Integral apron with removable access panel
- Left or right drain
- Textured bottom surface
- Optional K-1717 timer kit
- Integral tile flange on three sides for alcove installation
- 60" (152.4 cm) x 32" (81.3 cm) x 20" (50.8 cm)

BATH WHIRLPOOL WITH HEATER K-1357-HL ALSO K-1357-HR



Codes/Standards Applicable

Specified model meets or exceeds the following:

- ANSI Z124.1.2
- ASME A112.19.7M
- UL 1795

Colors/Finishes

- 0: White
- Other: Refer to Price Book for additional colors/finishes

Accessories

- 0: White
- CP: Polished Chrome
- PB: Polished Brass
- NA: None applicable
- Other: Refer to Price Book for additional colors/finishes

Specified Model

Model	Description	Colors/Finishes	
K-1357-HL	Bath whirlpool with heater – left drain and integral apron	<input type="checkbox"/> 0	<input type="checkbox"/> Other_____
K-1357-HR	Bath whirlpool with heater – right drain and integral apron	<input type="checkbox"/> 0	<input type="checkbox"/> Other_____

Recommended Accessories				
K-7161-AF	Adjustable pop-up bath drain	<input type="checkbox"/> CP	<input type="checkbox"/> PB	<input type="checkbox"/> Other_____
K-7213	Clearflo bath cable drain with PVC tubing	<input type="checkbox"/> CP		<input type="checkbox"/> Other_____
K-7214	Clearflo bath cable drain without PVC tubing	<input type="checkbox"/> CP		<input type="checkbox"/> Other_____

Product Specification

The acrylic bath whirlpool shall be 60" (152.4 cm) in length, 32" (81.3 cm) in width, and 20" (50.8 cm) in height. Product shall have 8 color-matched Kohler jets, a pump with air switch and grounding-type plug-in cord, and an in-line heater. Product shall have integral apron with removable access panel and integral tile flange on three sides for alcove installation. Product shall have a textured bottom surface and a drain at left or right. Product shall have an optional K-1717 timer kit. Bath whirlpool shall be Kohler Model K-1357-____-____.

DEVONSHIRE®

Optional Accessories

K-1491	Pillow	<input type="checkbox"/> 0		<input type="checkbox"/> Other_____
K-1601	Footstop	<input type="checkbox"/> 0		<input type="checkbox"/> Other_____
K-1717	20-minute timer kit		<input type="checkbox"/> NA	

Technical Information

Fixture*:	
Bathing well:	
Basin area, bottom	42" (106.7 cm) x 20" (50.8 cm)
Basin area, top	51" (129.5 cm) x 24" (61 cm)
Weight	160 lbs (72.6 kg)
To overflow:	
Water depth	14" (35.6 cm)
Capacity	60 gal (227.1 L)
* Approximate measurements for comparison only.	

Pump:		V	Hz	A
1-speed		120	60	7
Heater:	kW	V	Hz	A
	1.5	120	60	12.5

Required Electrical Service

Two dedicated circuits required, each protected with Class A Ground-Fault Circuit-Interrupter (GFCI):

Pump/control	120 V, 15A, 60 Hz
Heater	120 V, 15A, 60 Hz

Locate the outlets behind the whirlpool and within 24" (61 cm) of the pump and heater.

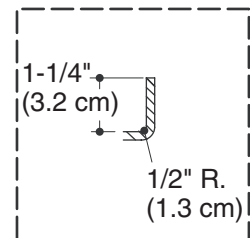
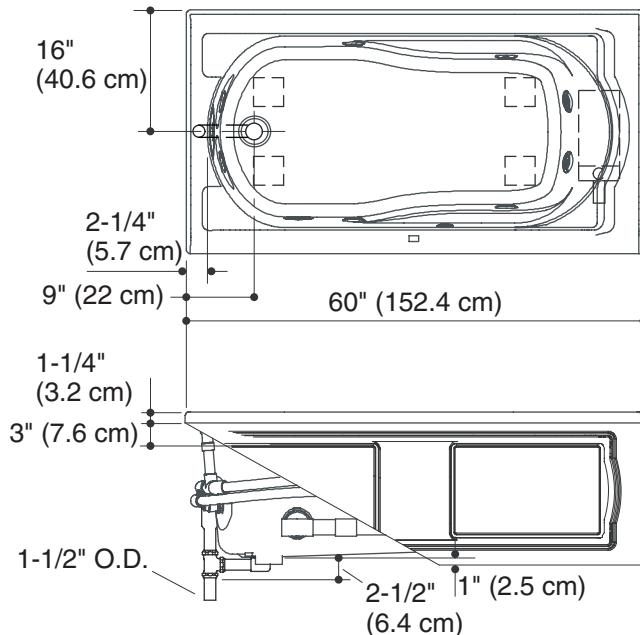
Installation Notes

Install this product according to the installation guide.

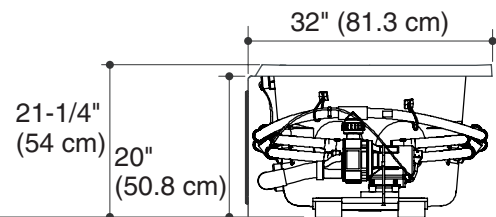
Floor support under whirlpool must provide for a minimum of 51 lbs/square foot (251.1 kg/square meter) loading.

K-1357-HL

No change in measurements if connected with drain illustrated. (K-7161-AF or K-7161M-AF)



Integral Flange Detail



Product Diagram