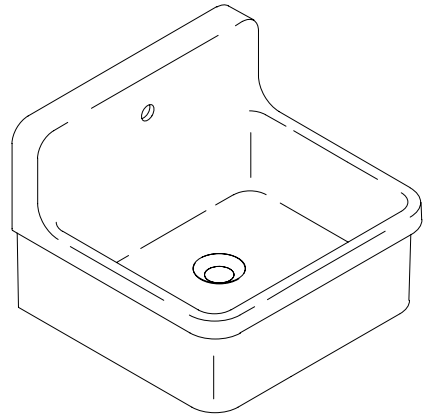


SCRUB-UP/PLASTER SINK

K-12781, K-12787

FEATURES

- 30" x 22"
- Vitreous china
- Single compartment
- Single center hole (K-12781) or 8" centers (K-12787) drilled back
- Optional K-1814-P wall brackets



CODES/STANDARDS APPLICABLE

Specified model meets or exceeds the following:

- ASME/ANSI A112.19.1M
- IAPMO/UPC
- Canadian Standards Association (CSA)
- State of Massachusetts

COLORS/FINISHES

- 0 White

Accessories:

- CP Polished Chrome
- NA None Applicable

SPECIFIED MODEL:

Model	Description	Colors/Finishes
K-12781	Single center hole sink	<input type="checkbox"/> 0 White
K-12787	8" centers sink	<input type="checkbox"/> 0 White

Recommended Accessories		
K-1814-P	Brackets	<input type="checkbox"/> NA

Optional Accessories		
K-9000	Trap	<input type="checkbox"/> CP
K-9115	1-1/2" sink strainer	<input type="checkbox"/> CP
K-9118	2" sink strainer	<input type="checkbox"/> CP

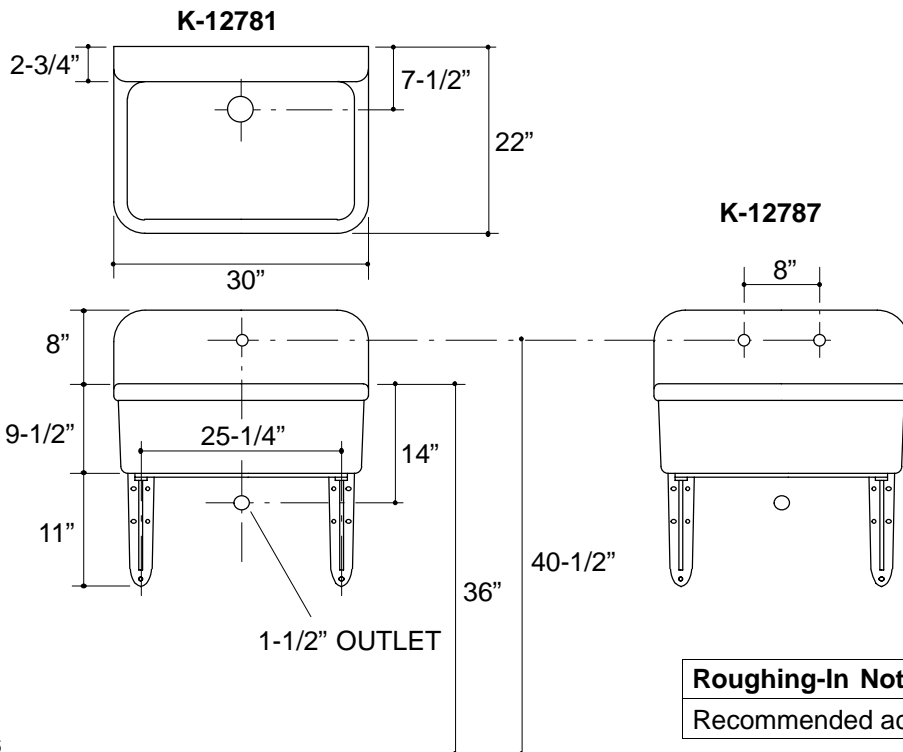
PRODUCT SPECIFICATION:

The scrub-up/plaster sink shall be 30" in length, and 22" in width. Sink shall be made of vitreous china. Sink shall be single compartment. Sink shall be single center hole (K-12781) or 8" centers (K-12787) drilled back. Sink shall have optional K-1814-P wall brackets. Sink shall be Kohler Model K-_____-_____.

PRODUCT INFORMATION

Fixture*:		basin area	water depth
Sink		28" x 18"	8-5/8"
Outlet	2-1/4" D.		
Faucet hole	1-3/8" D.		

* Approximate measurements for comparison only.



.7<116

PRODUCT DIAGRAM