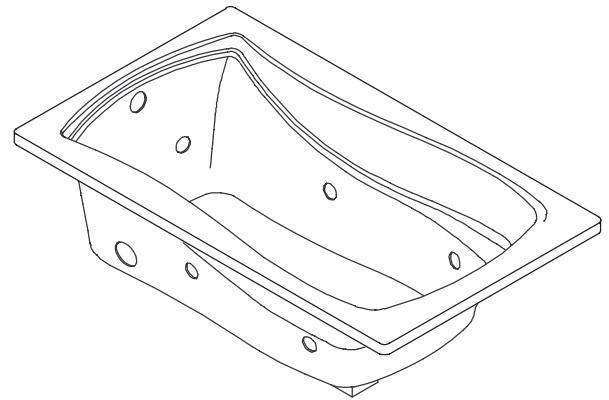


### ACRYLIC CUSTOM BATH WHIRLPOOL

# K-1224-CB

#### FEATURES

- 66" (167.6cm) x 35-7/8" (91.1cm) x 20" (50.8cm)
- Acrylic
- Drop-in
- 5 individually adjustable ProFlex hydro-massage jets
- 1-1/4 HP pump with air switch and cord with plug
- UL listed
- Optional K-1234 separate apron
- Optional K-9695 whirlpool trim kit in various finishes
- Optional K-1639 timer kit



#### CODES/STANDARDS APPLICABLE

Specified model meets or exceeds the following:

- ASME/ANSI A112.19.7M
- ANSI Z124.1
- IAPMO/UPC
- Underwriters Laboratories (UL)
- State of Massachusetts

#### COLORS/FINISHES

- 0 White
- Other Refer to Fixtures Price Book for additional colors

#### Accessories:

- CP Polished Chrome
- PB Polished Brass
- Other Refer to Price Book for additional finishes
- NA None Applicable

#### SPECIFIED MODEL:

Model	Description	Colors/Finishes		
K-1224-CB	Whirlpool, drop-in, custom pump (shown)	<input type="checkbox"/> 0 White	<input type="checkbox"/> Other_____	
<b>Recommended Accessories</b>				
K-7161-AF	Drain	<input type="checkbox"/> CP	<input type="checkbox"/> PB	<input type="checkbox"/> Other_____
<b>Optional Accessories</b>				
K-1234	Separate apron with removable panel for front access	<input type="checkbox"/> 0 White	<input type="checkbox"/> Other_____	
K-9695	Jet trim kit (metal finishes)	<input type="checkbox"/> CP	<input type="checkbox"/> PB	<input type="checkbox"/> Other_____
K-1639	Timer Kit	<input type="checkbox"/> NA		

#### PRODUCT SPECIFICATION:

The bath whirlpool shall be 66" (167.6cm) in length, 35-7/8" (91.1cm) in width, and 20" (50.8cm) in height. Drop-in bath whirlpool shall be made of acrylic. Bath whirlpool shall have 5 individually adjustable ProFlex hydro-massage jets, 1-1/4 HP pump with air switch and cord with plug. Bath whirlpool shall be UL listed. Bath whirlpool shall have optional K-1234 separate apron. Bath whirlpool shall have optional K-9695 trim kit. Bath whirlpool shall have optional K-1639 timer kit. Bath whirlpool shall be Kohler Model K-1224-CB-\_\_\_\_\_.

# MARIPOSA™ 5.5'

## PRODUCT INFORMATION

Fixture*:	basin area	top area	weight	
Bathing well	48" (121.9cm) x 24" (61cm)	59" (149.9cm) x 30" (76.2cm)	110 lbs. (49.9kg)	
	water depth	capacity		
To overflow	14" (35.6cm)	67 gal. (253.6L)		
* Approximate measurements for comparison only.				
Pump:	HP	V	Hz	A
1-speed	1-1/4	120	60	7.5

## REQUIRED ELECTRICAL SERVICE

Dedicated circuit required, protected with Class A Ground-Fault Circuit-Interrupter (GFCI):	
Pump/control	120 V, 15 A, 60 Hz
Locate the outlet behind the whirlpool and within 24" (61cm) of the pump.	

## INSTALLATION NOTES

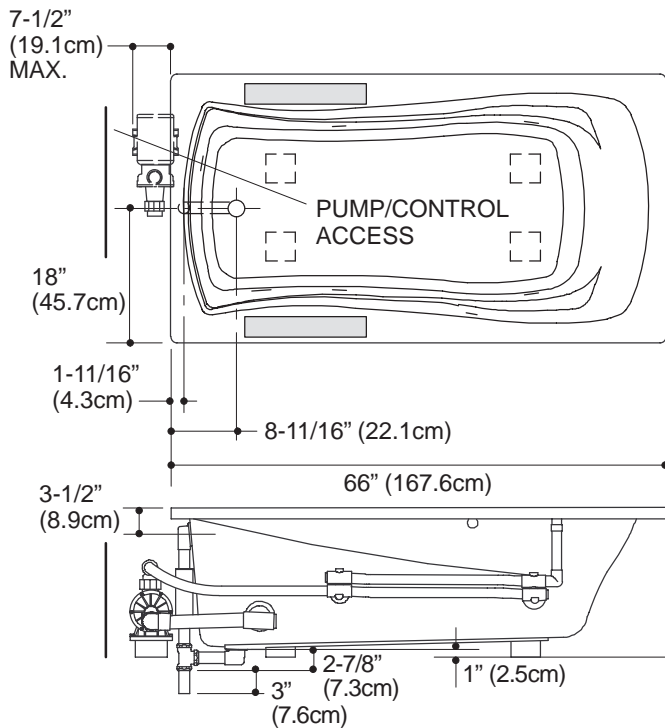
Install this product according to the installation guide.

Floor support under whirlpool must provide for a minimum of 80 lbs./square foot (390 Kg./square meter) loading.

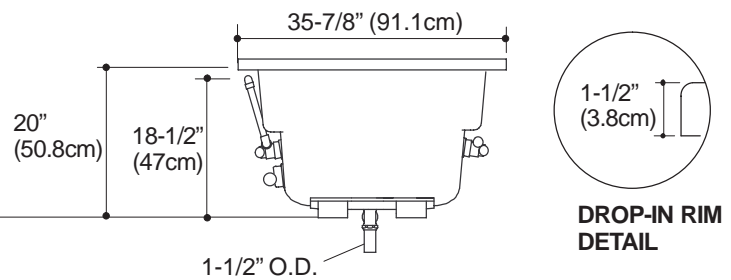
If installing a rim-mount faucet, make sure there is no interference with drain overflow and circulating system before drilling any holes. Consult local and national codes for minimum air gap requirements if installing a spout on the faucet deck.

The apron must be installed before the finish floor and wall materials are installed.

Pump must be relocated to custom position at the time of installation. Provide adequate clearance.



No change in measurements if connected with drain illustrated. (K-7161-AF or K-7161M-AF)		
Drop-in cut-out	64" (162.6cm) x 34" (86.4cm)	
Minimum access panel:		
Pump/control	20" (50.8cm) W x 15" (38.1cm) H	required
Faucet area		recommended



## PRODUCT DIAGRAM