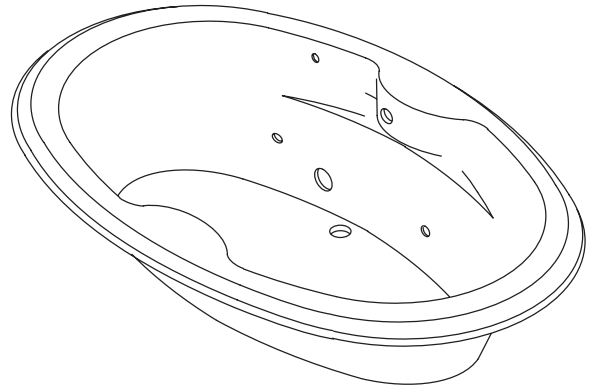


FEATURES

- 72" (182.9cm) x 42-1/8" (107cm) x 19-3/4" (50.2cm)
- Acrylic
- Oval shape
- Drop-in
- 6 individually adjustable ProFlex hydro-massage jets
- 1-1/4 HP pump with air switch and cord with plug
- Molded lumbar supports and armrests
- UL listed
- Optional K-9696 whirlpool trim kit in various finishes
- Optional K-1639 timer kit



CODES/STANDARDS APPLICABLE

Specified model meets or exceeds the following:

- ASME/ANSI A112.19.7M
- ANSI Z124.1
- IAPMO/UPC
- Underwriters Laboratories (UL)
- State of Massachusetts

COLORS/FINISHES

- 0 White
- Other Refer to Fixtures Price Book for additional colors

Accessories:

- CP Polished Chrome
- PB Polished Brass
- Other Refer to Price Book for additional finishes
- NA None Applicable

SPECIFIED MODEL:

Model	Description	Colors/Finishes		
K-1148	Whirlpool, drop-in (shown)	<input type="checkbox"/> 0 White	<input type="checkbox"/> Other_____	
Recommended Accessories				
K-11677	Drain	<input type="checkbox"/> CP		
Optional Accessories				
K-9696	Jet trim kit (metal finishes)	<input type="checkbox"/> CP	<input type="checkbox"/> PB	<input type="checkbox"/> Other_____
K-1639	Timer Kit	<input type="checkbox"/> NA		

PRODUCT SPECIFICATION:

The oval shaped bath whirlpool shall be 72" (182.9cm) in length, 42-1/8" (107cm) in width, and 19-3/4" (50.2cm) in height. Drop-in bath whirlpool shall be made of acrylic. Bath whirlpool shall have 6 individually adjustable ProFlex hydro-massage jets, 1-1/4 HP pump with air switch and cord with plug. Bath whirlpool shall have molded lumbar supports and armrests. Bath whirlpool shall be UL listed. Bath whirlpool shall have optional K-9696 trim kit. Bath whirlpool shall have optional K-1639 timer kit. Bath whirlpool shall be Kohler Model K-1148-_____.

PROFLEX™ 7242 OVAL

PRODUCT INFORMATION

Fixture*:	basin area	top area	weight		
Bathing well	53" (134.6cm) x 26" (66cm)	65" (165.1cm) x 34" (86.4cm)	74-1/4 lbs. (33.7kg)		
	water depth	capacity			
To overflow	15" (38.1cm)	78 gal. (295.3L)			
* Approximate measurements for comparison only.					
Pump:	HP	V	Hz	A	
1-speed	1-1/4	120	60	7.5	
Included Components:					
Cut-out template		114861-7			

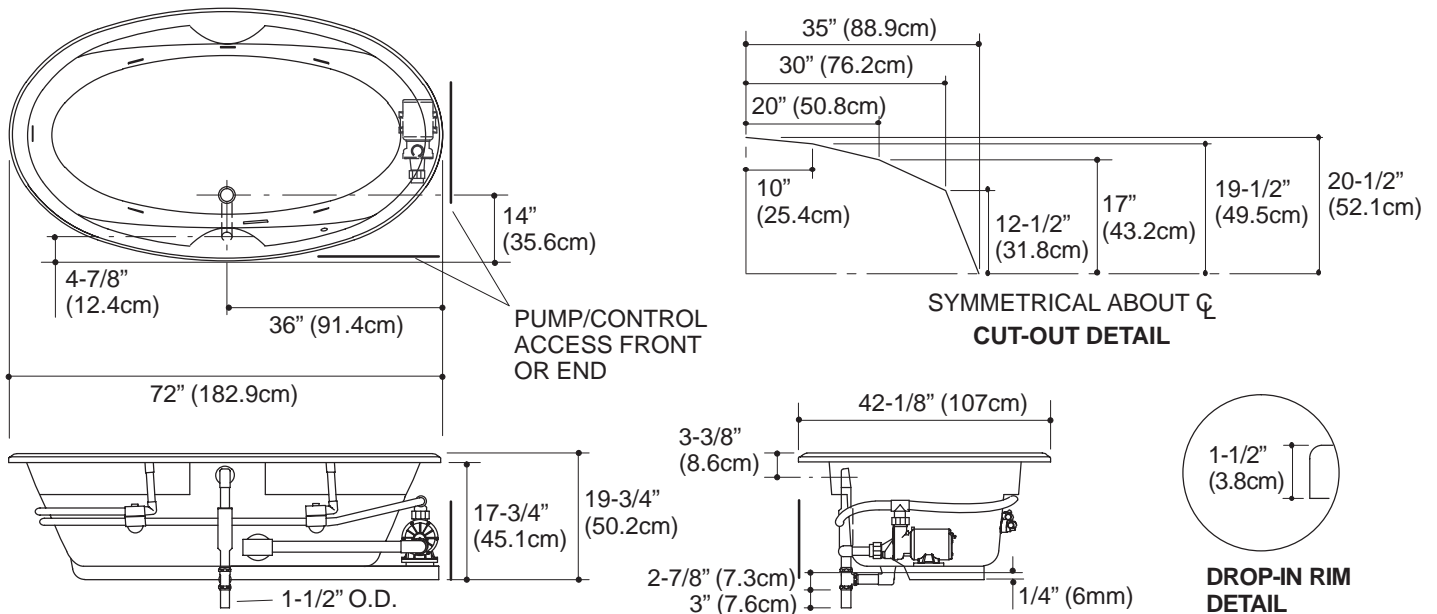
REQUIRED ELECTRICAL SERVICE

Dedicated circuit required, protected with Class A Ground-Fault Circuit-Interrupter (GFCI):	
Pump/control	120 V, 15 A, 60 Hz
Locate the outlet behind the whirlpool and within 24" (61cm) of the pump.	

INSTALLATION NOTES

Install this product according to the installation guide. Floor support under whirlpool must provide for a minimum of 80 lbs./square foot (390 Kg./square meter) loading.

No change in measurements if connected with drain illustrated. (K-11677 or K-11677M)		
Minimum access panel:		
Pump/control	20" (50.8cm) W x 15" (38.1cm) H	required



PRODUCT DIAGRAM