

KOHLER® Roughing-In

K-1123
ARCHER™
5' (1.5 m) DROP-IN BATH

Product Information

Applicable product:	
Drop-in bath	K-1123
Fixture*:	
Bathing well	
Basin area bottom	45-1/8" (114.6 cm) x 19-11/16" (50 cm)
Basin area top	52-3/4" (134 cm) x 25-5/16" (64.3 cm)
Weight	70 lbs (31.7 kg)
To overflow	
Water depth	15" (38.1 cm)
Capacity	58 gal (219.5 L)
* Approximate measurements for comparison only.	
Drop-in cutout	
	58-1/2" (148.6 cm) x 30-1/2" (77.5 cm)
Required accessories:	
Clearflo slotted overflow brass bath drain OR	K-7271
Clearflo slotted overflow bath drain – PVC pipe	K-7272

Installation Notes

Install this product according to the installation guide.

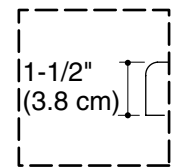
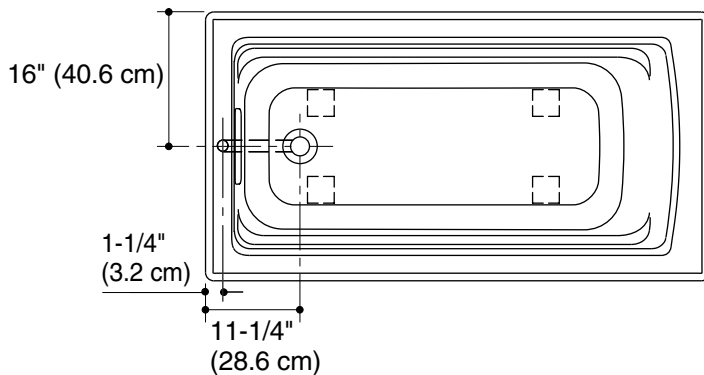
Floor support under this product must provide for a minimum of 44 lbs/square foot (212 kg/square meter) loading.

The hot water supply should be 70% of the capacity of the bath or greater. Installations will vary.

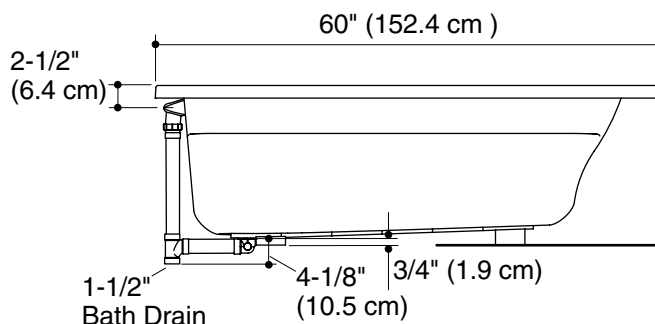
This bath is designed for drop-in installation only. It is not suited for use in a three wall alcove with an overhead shower.

Will comply with **ADA** when installed per Section 607 Bathtubs of the Act.

Fixture conforms to ANSI Standard Z124.1.2. All dimensions are nominal.



Drop-in Rim Detail



No change in measurements if connected with drain illustrated. (K-7272)

