

**LAVATORY FAUCET
K-14404**

ADA

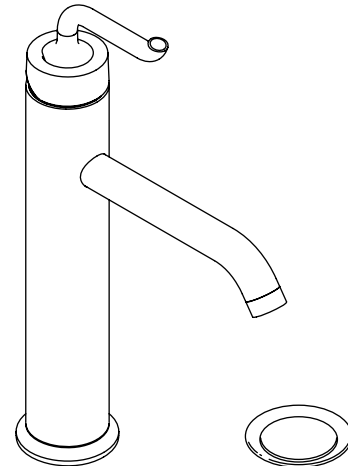
Features

- Brass construction
- One-piece, self-contained ceramic disc valve allows both volume and temperature control
- Temperature memory allows faucet to be turned on and off at any temperature setting
- High-temperature limit setting for added safety
- 2.2 gallons (8.3 L) per minute maximum flow rate
- Lower flow aerator options are available (refer to the Kohler Price Book)
- Single-hole mounting
- Available with straight or curved handle
- Touch-activated drain with tailpiece and overflow
- 6-1/4" (15.9 cm) spout

Codes/Standards Applicable

Specified model meets or exceeds the following:

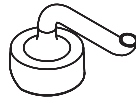
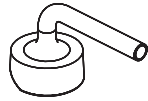
- ASME 112.18.1/CSA B125
- IAPMO/UPC
- NSF 61
- ADA
- CSA International



Colors/Finishes

- CP: Polished Chrome
- PB: Vibrant® Polished Brass
- Other: Refer to Price Book for additional colors/finishes

Specified Model

Model	Description		
K-14404-4	Faucet with curved handle	<input type="checkbox"/> CP <input type="checkbox"/> PB <input type="checkbox"/> Other ____	
K-14404-4A	Faucet with straight handle		<input type="checkbox"/> CP <input type="checkbox"/> PB <input type="checkbox"/> Other ____

Product Specification

Single-control lavatory faucet shall be of brass construction and rated at 2.2 gallons (8.3 L) per minute. Faucet shall have lower flow aerator options. Valve shall be a one-piece, self-contained ceramic disc valve, allowing volume and temperature control. Valve shall feature temperature memory, allowing the faucet to be turned on and off at any temperature setting. Valve shall include a high-temperature limit stop. Faucet shall be single-hole mounting. Faucet shall include flexible connections, 6-1/4" (15.9 cm) spout, curved or straight handle, and touch-activated drain. Faucet shall be Kohler Model K-14404-_____-_____-_____.

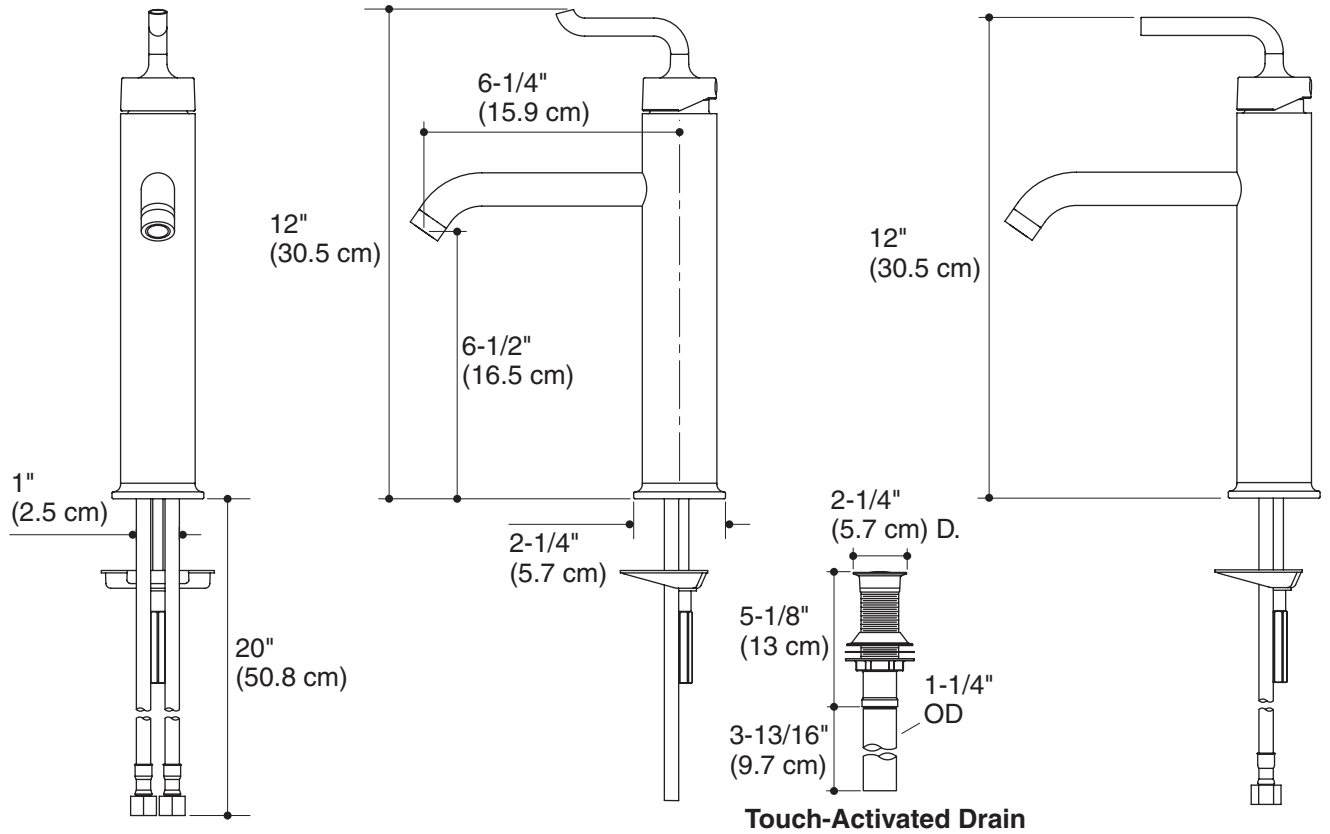
PURIST®

Technical Information

Included components:	
Drain	1035625

Installation Notes

Install this product according to the installation guide.



Product Diagram