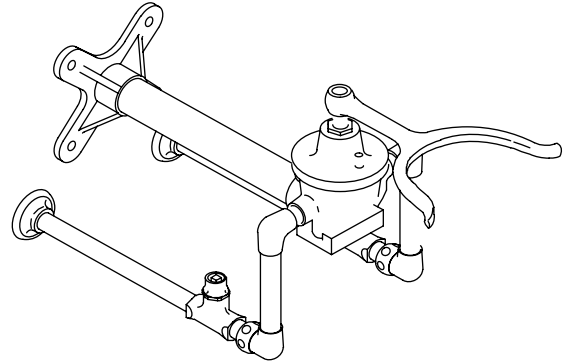


**Features**

- Brass construction
- Niedecken mixer
- Stirrup handle
- Loose key stops
- Wall flanges
- NPT connections

**KNEE CONTROL FITTING  
K-13710**



**Codes/Standards Applicable**

Specified model meets or exceeds the following:

- ASME A112.18.1/CSA B125.1

**Colors/Finishes**

- CP: Polished Chrome

**Specified Model**

Model	For Fixture Similar To	Size	Colors/Finishes
K-13710-A	K-6552	13" (33 cm) x 13" (33 cm)	<input type="checkbox"/> CP
K-13710-B	K-2023	18" (45.7 cm) x 15" (38.1 cm)	<input type="checkbox"/> CP
K 13710-C	K-1728	19" (48.3 cm) x 17" (43.2 cm)	<input type="checkbox"/> CP
	K-12672	19" (48.3 cm) x 17" (43.2 cm)	
	K-5980	24" (61 cm) x 18" (45.7 cm)	
	K-3200	36" (91.4 cm)	
K-13710-D	K-2031	20" (50.8 cm) x 18" (45.7 cm)	<input type="checkbox"/> CP
	K-2869	20" (50.8 cm) x 18" (45.7 cm)	
	K-12643	20" (50.8 cm) x 18" (45.7 cm)	
K-13710-E	K-6652	22" (55.9 cm) x 20" (50.8 cm)	<input type="checkbox"/> CP
K 13710-F	K-2053	20" (50.8 cm) x 18" (45.7 cm)	<input type="checkbox"/> CP
	K-2044	24" (61 cm) x 20" (50.8 cm)	
	K-12644	24" (61 cm) x 20" (50.8 cm)	
	Countertop	21" (53.3 cm)	
K-13710-G	K-12793	28" (71.1 cm) x 22" (55.9cm)	<input type="checkbox"/> CP
K 13710-H	K-12784	24" (61 cm) x 22" (55.9 cm)	<input type="checkbox"/> CP
	K-12781	30" (76.2 cm) x 22" (55.9 cm)	

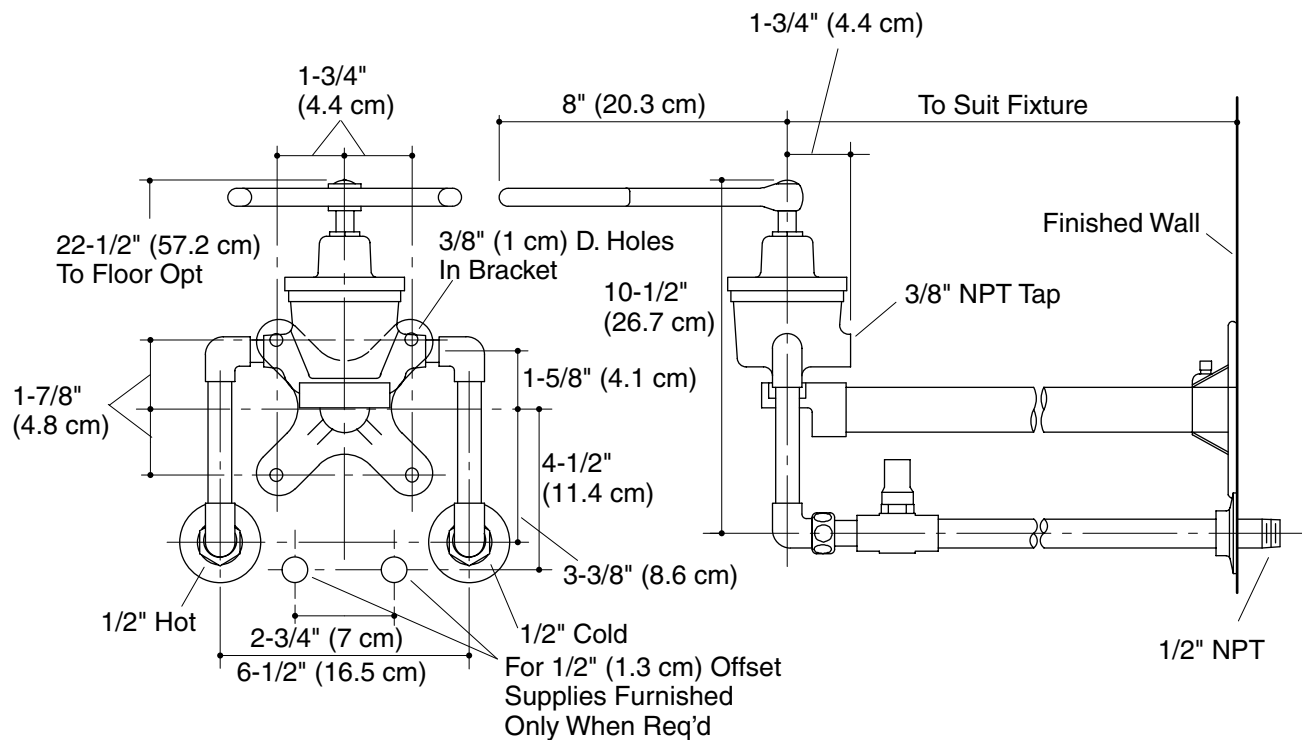
**Product Specification**

Wall-mount knee control fitting shall be of brass construction. Product shall feature a Niedecken mixer, stirrup handle, loose key stops, NPT connections, and wall flanges. Product shall be Kohler Model K-13710-\_\_\_\_\_-CP.

Model	For Fixture Similar To	Size	Colors/Finishes
K 13710 J	K-5966	24" (61 cm) x 21" (53.3 cm)	☐ CP
	K-5967	30" (76.2 cm) x 21" (53.3 cm)	
	K-5950	32" (81.3 cm) x 21" (53.3 cm)	
	Countertop	25" (63.5 cm)	
K-13710-K	Countertop	30" (76.2 cm)	☐ CP

## Installation Notes

Install this product according to the installation guide.



## Product Diagram