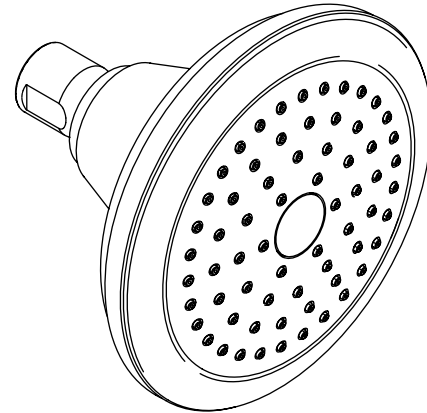


**SHOWERHEAD
K-13137-AK**

Features

- *Katalyst™ Spray Technology with air induction ball joint (patent pending)*
- *Optimized spray face for maximum performance*
- *MasterClean™ spray nozzles to prohibit mineral build-up for easy cleaning*
- *2.5 gallon (9.5 L) per minute flow rate*
- *1/2" - 14 NPT connection*
- *Single function showerhead with 66 nozzle 5-9/16" (14.1 cm) diameter spray face*



Codes/Standards Applicable

Specified model meets or exceeds the following:

- ASME A112.18.1/CSA B125.1

Colors/Finishes

- CP: Polished Chrome
- Other: Refer to Price Book for additional colors/finishes

Accessories

- CP: Polished Chrome

Specified Model

Model	Description	<input type="checkbox"/> CP	<input type="checkbox"/> Other ____
K-13137-AK	Single-function showerhead	<input type="checkbox"/> CP	<input type="checkbox"/> Other ____
Recommended Accessories			
K-16136	Shower arm and flange	<input type="checkbox"/> CP	

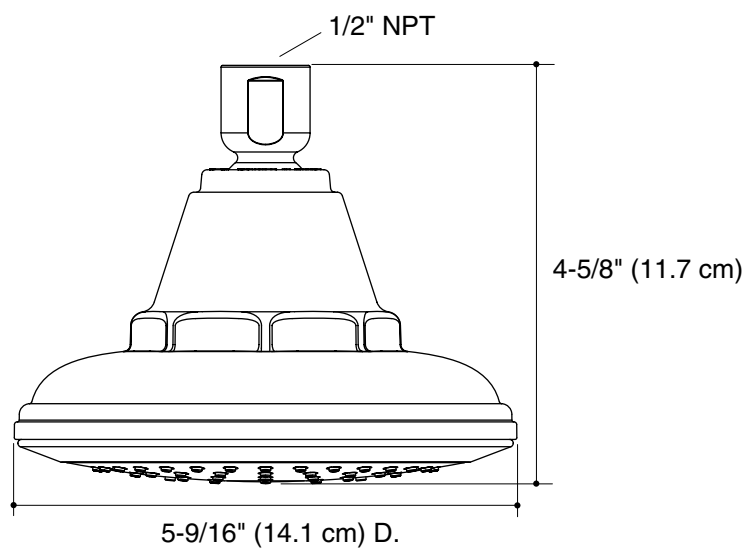
Product Specification

The single-function showerhead shall be with 66 nozzle 5-9/16" (14.1 cm) diameter spray face. Showerhead shall have Katalyst™ spray technology with air induction ball joint (patent pending) and optimized spray face for maximum performance. Showerhead shall include MasterClean™ spray nozzles to prohibit mineral build-up for easy cleaning. Showerhead shall have a 2.5 gallon (9.5 L) per minute flow rate and 1/2"-14 NPT connection. Showerhead shall be Kohler Model K-13137-AK-____.

PINSTRIPE®

Installation Notes

Install this product according to the installation guide.



Product Diagram