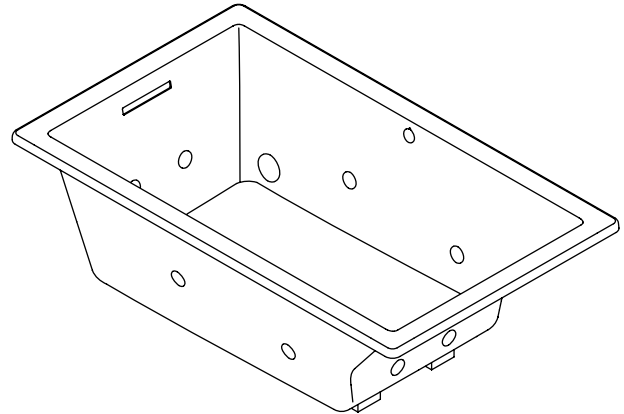


Features

- Acrylic
- Drop-in installation
- 8 Flexjet™ whirlpool jets
- Less all trim
- Variable speed pump with 1.5 kW heater and back-lit user keypad
- 60" (1524 mm) x 36" (914 mm) x 21" (533 mm)

BATH WHIRLPOOL WITH HEATER K-1849-H2



Codes/Standards Applicable

Specified model meets or exceeds the following:

- ASME A112.19.7
- ANSI Z124.1.2
- CSA B45.0
- CSA B45.5
- UL 1795

Colors/Finishes

- 0: White
- Other: Refer to Price Book for additional colors/finishes

Accessories

- CP: Polished Chrome
- PB: Vibrant® Polished Brass
- NA: None applicable

Specified Model

Model	Description	Colors/Finishes	
K-1849-H2	Bath whirlpool with heater	<input type="checkbox"/> 0	<input type="checkbox"/> Other_____

Required Accessories

K-7271	Clearflo slotted overflow brass bath drain OR	<input type="checkbox"/> CP	<input type="checkbox"/> PB	<input type="checkbox"/> Other_____
K-7272	Clearflo slotted overflow bath drain – PVC pipe	<input type="checkbox"/> CP	<input type="checkbox"/> PB	<input type="checkbox"/> Other_____
K-9698	Jet trim kit	<input type="checkbox"/> 0		<input type="checkbox"/> Other_____

Optional Accessories

K-534	Undermount kit			<input type="checkbox"/> NA	
K-1491	Pillow	<input type="checkbox"/> 0			<input type="checkbox"/> Other_____
K-1601	Footstop	<input type="checkbox"/> 0			<input type="checkbox"/> Other_____
K-1703	Remote control			<input type="checkbox"/> NA	
K-9497	2-1/2" (64 mm) metal finish keypad trim	<input type="checkbox"/> CP	<input type="checkbox"/> PB		<input type="checkbox"/> Other_____

Product Specification

The acrylic bath whirlpool shall be 60" (1524 mm) in length, 36" (914 mm) in width, and 21" (533 mm) in height. Bath shall be for drop-in installation. Bath shall have 8 Flexjet whirlpool jets. Bath shall be less all trim. Bath shall feature variable speed pump with 1.5 kW heater and back-lit user keypad. Bath shall be Kohler Model K-1849-H2-_____.

UNDERScore®

Technical Information

Fixture*:	
Bathing well:	
Basin area, bottom	39-9/16" (1005 mm) x 24-11/16" (627 mm)
Basin area, top	53-5/8" (1362 mm) x 29-1/2" (749 mm)
Weight	125 lbs (56.7 kg)
To overflow:	
Water depth	17-1/8" (435 mm)
Capacity	81.1 gal (307 L)
* Approximate measurements for comparison only.	

Drop-in cut-out	59-1/2" (1511 mm) x 35-1/2" (902 mm)
-----------------	--------------------------------------

Pump	kW	V	Hz	A
Variable-speed	1.5	240	50/60	11

Required Electrical Service

Dedicated circuit required, protected with Class A Ground-Fault Circuit-Interrupter (GFCI) or Residual Current Device (RCD):

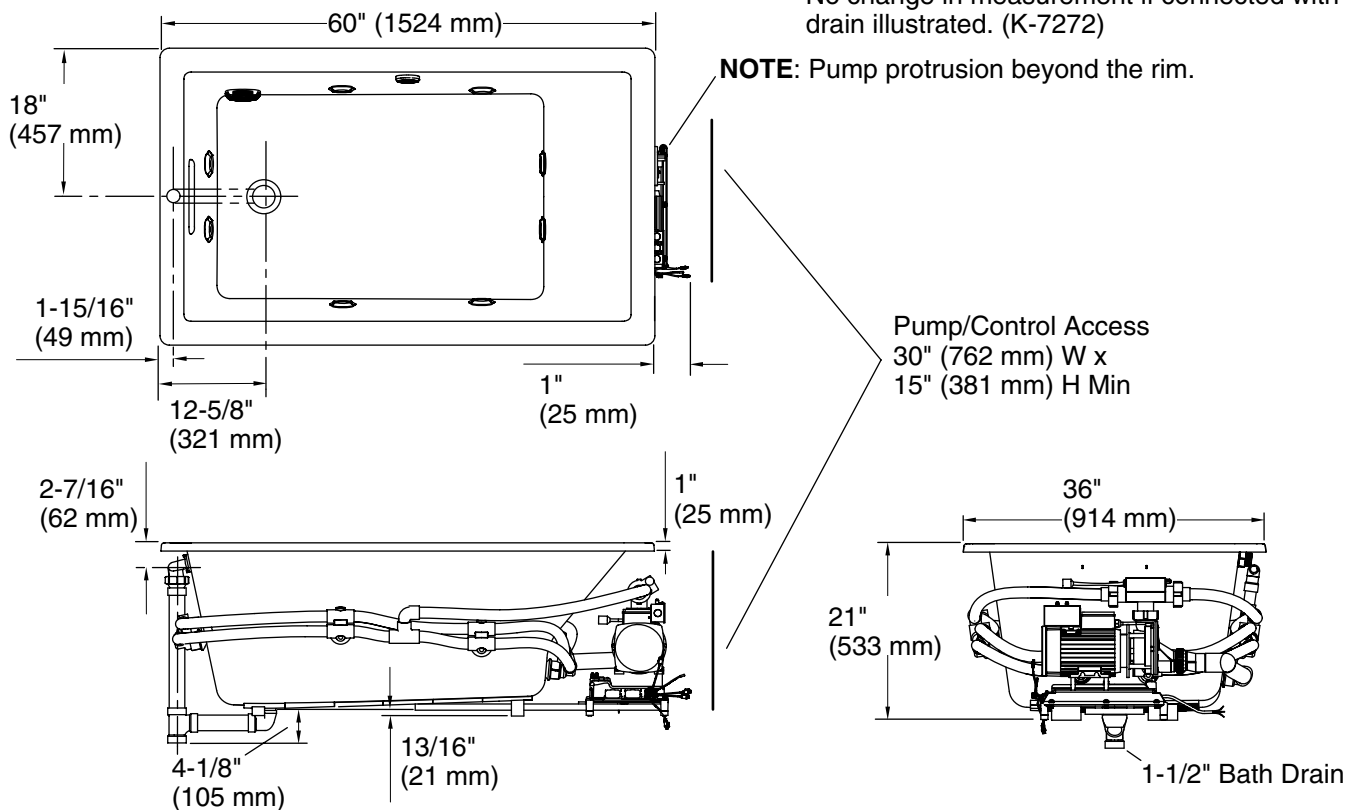
Pump/control: 220-240 V, 20 A, 50/60 Hz

Installation Notes

Install this product according to the installation guide.

Floor support under bath must provide for a minimum of 56 lbs/square foot (273 kg/square meter) loading.

Hot water supply should be 70% of capacity or greater. Installations will vary.



Product Diagram