

**SINGLE-CONTROL LAVATORY FAUCET
K-14404**



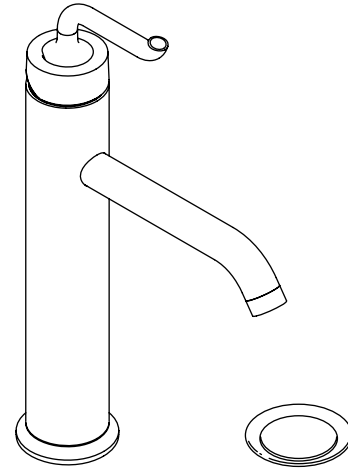
Features

- Brass construction
- One-piece, self-contained ceramic disc valve allows both volume and temperature control
- Temperature memory allows faucet to be turned on and off at any temperature setting
- High-temperature limit setting for added safety
- Single-hole mounting
- 6-1/4" (15.9 cm) spout reach
- Sculpted or straight handle
- 1.5 gallons (5.7 liters) per minute maximum flow rate
- Touch-activated drain with tailpiece and no overflow

Codes/Standards Applicable

Specified model meets or exceeds the following at date of manufacture:



- ASME A112.18.1/CSA B125.1
- NSF 61
- EPA WaterSense®
- All applicable US Federal and State material regulations



Colors/Finishes

- CP: Polished Chrome
- PB: Vibrant® Polished Brass
- Other: Refer to Price Book for additional colors/finishes

Specified Model

Model	Description	Sculpted Handle			Straight Handle		
							
K-14404-4	Single-control lavatory faucet – Smile design, sculpted handle (shown)	<input type="checkbox"/> CP	<input type="checkbox"/> PB	<input type="checkbox"/> Other ____			
K-14404-4A	Single-control lavatory faucet – straight handle				<input type="checkbox"/> CP	<input type="checkbox"/> PB	<input type="checkbox"/> Other ____

Product Specification

The single-control lavatory faucet shall be made of brass construction. Product shall have a maximum flow rate of 1.5 gallons (5.7 liters) per minute. Product shall feature a one-piece, self-contained ceramic disc valve, allowing volume and temperature control. Product shall feature temperature memory, allowing the faucet to be turned on and off at any temperature setting, and a high-temperature limit setting for added safety. Faucet shall be for single-hole mounting. Product shall feature a 6-1/4" (15.9 cm) spout reach and a touch-activated drain with tailpiece and no overflow. Product shall be available with a sculpted or straight handle. Faucet shall be Kohler Model K-14404-____-____.

PURIST®

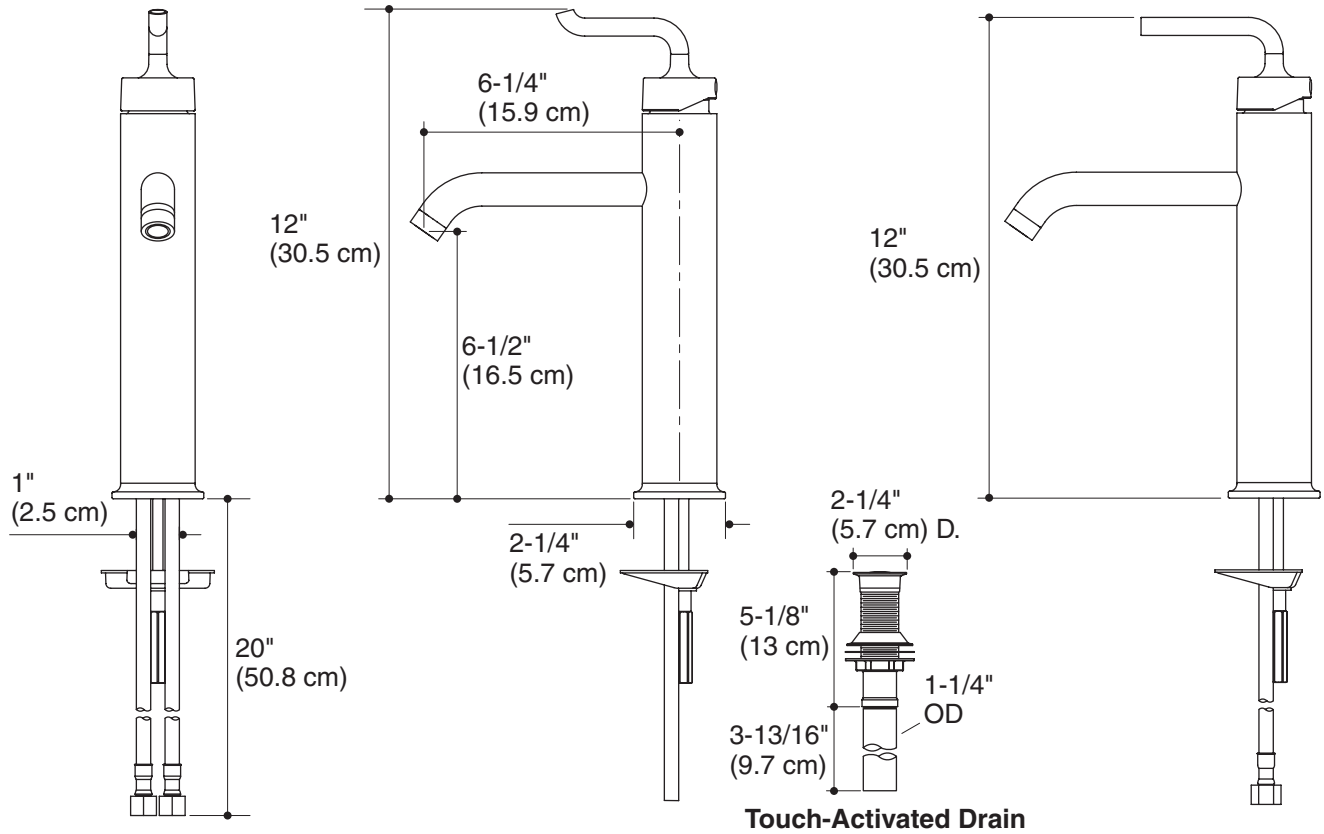
Optional Accessories		
1160593	Small Spray 0.38 gpm (1.44 lpm) – Insert only	<input type="checkbox"/> NA
_____	Additional flow options are available (refer to the Price Book)	<input type="checkbox"/> NA

Technical Information

Included components:	
Drain	1032297

Installation Notes

Install this product according to the installation guide.



Product Diagram