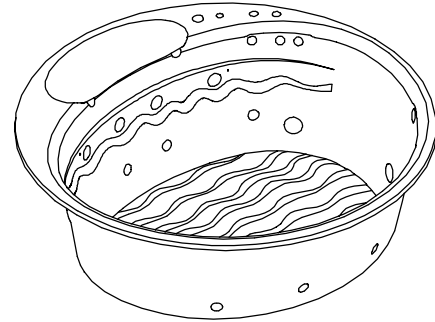


K-1397-H2

FEATURES

- 75" (190.5cm) D. x 25" (63.5cm) high (27-1/2"/69.9cm high with pillow)
- Acrylic
- Integral fill and valves
- Two 2 hp variable speed pumps with back-lit user control and remote control
- 4 kW heater (on separate electrical service)
- 8 Flexjets
- Waterfall
- 4 Riverjets
- 4 chromatherapy lights
- Air aspiration "On/Off" feature
- One large pillow and three small pillows
- UL Listed
- LESS ALL TRIM



CODES/STANDARDS APPLICABLE

Specified model meets or exceeds the following:

- ANSI Z124.1
- ASME/ANSI A112.19.7M
- Underwriters Laboratories (UL)

COLORS/FINISHES

- 0 White
- Other Refer to Fixtures Price Book for additional colors

Accessories:

- CP Polished Chrome
- PB Polished Brass
- Other Refer to Price Book for additional finishes

SPECIFIED MODEL:

Model	Description	Colors/Finishes	
K-1397-H2	RiverBath	<input type="checkbox"/> 0 White	<input type="checkbox"/> Other _____

Required Accessories				
K-9398	Flexjet trim kit	<input type="checkbox"/> CP	<input type="checkbox"/> PB	<input type="checkbox"/> Other _____
K-T9540-4	Transfer valve trim, lever handle OR	<input type="checkbox"/> CP	<input type="checkbox"/> PB	<input type="checkbox"/> Other _____
K-T9540-7	Transfer valve trim, round handle	<input type="checkbox"/> CP	<input type="checkbox"/> PB	<input type="checkbox"/> Other _____
K-6526	Traditional Handshower OR	<input type="checkbox"/> CP	<input type="checkbox"/> PB	<input type="checkbox"/> Other _____
K-6528	MasterShower™ Handshower OR	<input type="checkbox"/> CP	<input type="checkbox"/> PB	<input type="checkbox"/> Other _____
K-9677	Persona Handshower	<input type="checkbox"/> CP	<input type="checkbox"/> PB	<input type="checkbox"/> Other _____
K-T6919-2	Alterna™ faucet handles OR	<input type="checkbox"/> CP	<input type="checkbox"/> PB	<input type="checkbox"/> Other _____
K-T6919-4	Alterna™ faucet handles	<input type="checkbox"/> CP	<input type="checkbox"/> PB	<input type="checkbox"/> Other _____
K-T8232-2	Taboret® faucet handles OR	<input type="checkbox"/> CP	<input type="checkbox"/> PB	<input type="checkbox"/> Other _____
K-T8232-4	Taboret® faucet handles OR	<input type="checkbox"/> CP	<input type="checkbox"/> PB	<input type="checkbox"/> Other _____
K-T8232-4A	Taboret® faucet handles OR	<input type="checkbox"/> CP	<input type="checkbox"/> PB	<input type="checkbox"/> Other _____
K-T8232-6	Taboret® faucet handles	<input type="checkbox"/> CP	<input type="checkbox"/> PB	<input type="checkbox"/> Other _____
K-T16124-4	Revival™ faucet handles OR	<input type="checkbox"/> CP	<input type="checkbox"/> PB	<input type="checkbox"/> Other _____
K-T16124-4A	Revival™ faucet handles	<input type="checkbox"/> CP	<input type="checkbox"/> PB	<input type="checkbox"/> Other _____
Recommended Accessory				
K-7167	Drain	<input type="checkbox"/> CP	<input type="checkbox"/> PB	<input type="checkbox"/> Other _____

PRODUCT SPECIFICATION:

The RiverBath shall be 75" (190.5cm) in diameter, and 25" (63.5cm) in height (27-1/2"/69.9cm in height with pillow). RiverBath shall be made of acrylic. RiverBath shall have integral fill and valves. RiverBath shall have 8 Flexjets, waterfall, 4 Riverjets, 4 chromatherapy lights, two 2 hp variable speed pumps, 4 kW heater, back-lit user control and remote control. RiverBath shall be UL listed. RiverBath shall be less all trim. RiverBath shall have air aspiration "On/Off" feature. RiverBath shall have one large pillow and three small pillows. RiverBath shall be Kohler Model K-1397-_____ -_____.

PRODUCT INFORMATION

Fixture*:	basin area	top area	weight
Bathing well	61" (154.9cm) x 46" (116.8cm)	68" (172.7cm) x 58" (147.3cm)	240 lbs. (108.9kg)
	water depth	capacity	
To overflow	20" (50.8cm)	215 gal. (813.9L)	

* Approximate measurements for comparison only.

Pump: (Qty. 2)	HP	V	Hz	A
Variable speed	2	240	50/60	18

Included Components:	
Cutout template, top (drop-in)	1000554-7
Cutout template, bottom (drop-in)	1000555-7
Cutout template, top (flush-mount)	1000556-7
Cutout template, bottom (flush-mount)	1000557-7

REQUIRED ELECTRICAL SERVICES (2 REQUIRED)

Two dedicated circuits required, each protected with Class A Ground-Fault Circuit-Interrupter (GFCI) or Earth-Leakage Circuit-Breaker (ELCB):	
Pump/control	220/240 V, 20 A, 50/60 Hz
Heater	220/240 V, 20 A, 50/60 Hz, 4 kW

INSTALLATION NOTES

Install this product according to the installation guide.

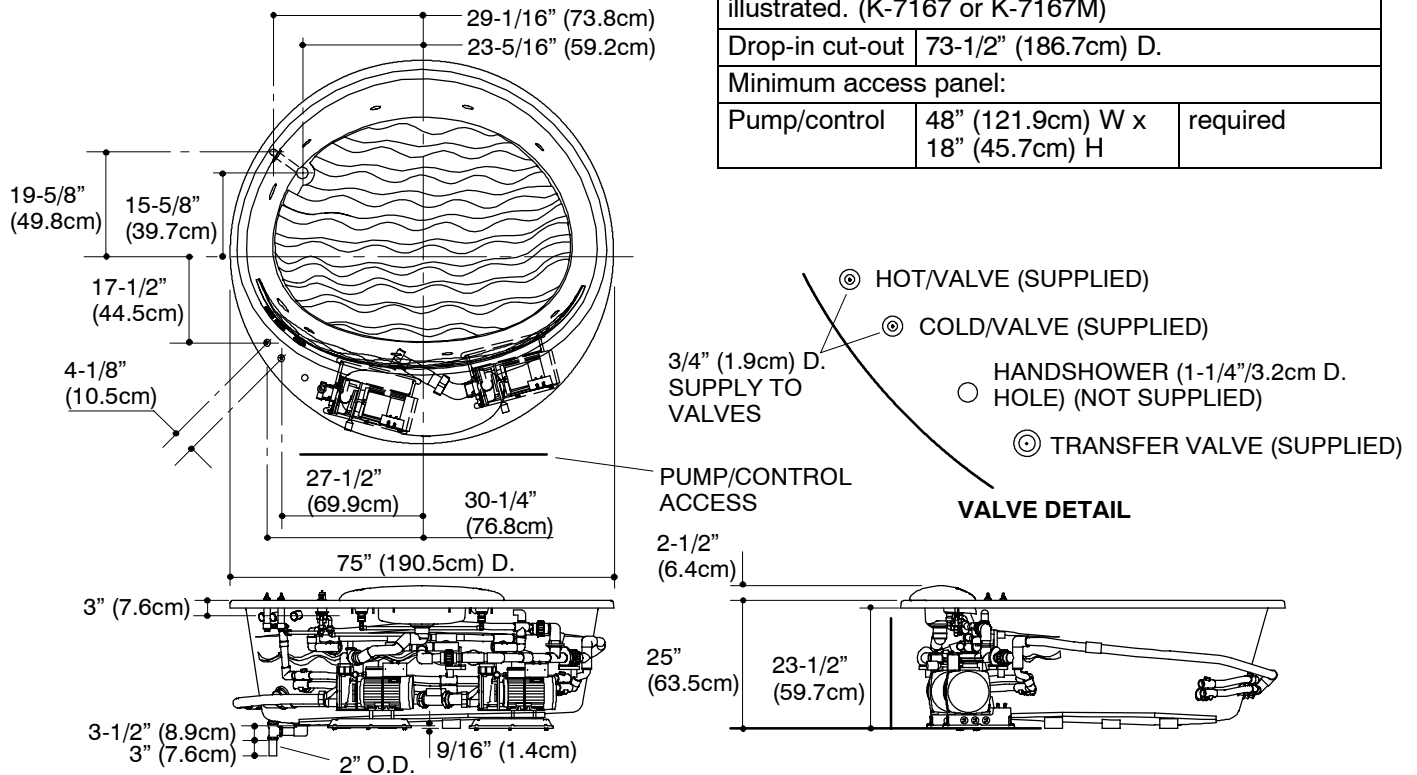
Two separate 240 V electrical services required; one for the pump/control, and another for the heater.

Floor support under whirlpool must provide for a minimum of 2500 lbs. (1134kg)

Hot water supply should be 70% of capacity or greater. Installations will vary.

Consult local and national codes for minimum air gap requirements if installing a spout on the faucet deck other than that supplied.

No change in measurements if connected with drain illustrated. (K-7167 or K-7167M)		
Drop-in cut-out	73-1/2" (186.7cm) D.	
Minimum access panel:		
Pump/control	48" (121.9cm) W x 18" (45.7cm) H	required



PRODUCT DIAGRAM