

Features

- Brass construction
- Fixture-mount design
- Intended for urinal installations with 3/4" spud coupling connection
- Non-hold open piston technology for accurate activation
- Retrofit models require a control stop and vacuum breaker
- 1.0 gpf (3.8 lpf) for washout urinals (K-13518 and K-13518-RF)
- 0.5 gpf (1.9 lpf) for washout urinals (K-13519 and K-13519-RF)

Codes/Standards Applicable

Specified model meets or exceeds the following:

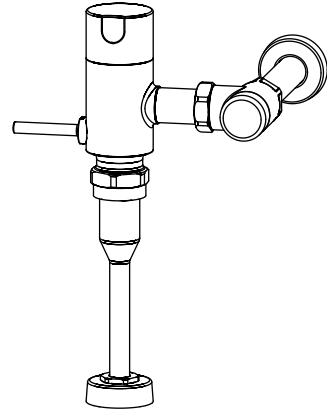
- ADA
- ASSE 1037
- CSA B125.3
- ICC/ANSI A117.1
- CSA B64

Specified Model

Model	Description	Colors/Finishes
K-13518	1.0 gpf (3.8 lpf) exposed flush valve	<input type="checkbox"/> CP
K-13518-RF	1.0 gpf (3.8 lpf) exposed flush valve retrofit	<input type="checkbox"/> CP
K-13519	0.5 gpf (1.9 lpf) exposed flush valve	<input type="checkbox"/> CP
K-13519-RF	0.5 gpf (1.9 lpf) exposed flush valve retrofit	<input type="checkbox"/> CP

EXPOSED FLUSH VALVE
K-13518
ALSO K-13518-RF, K-13519,
K-13519-RF

ADA



Colors/Finishes

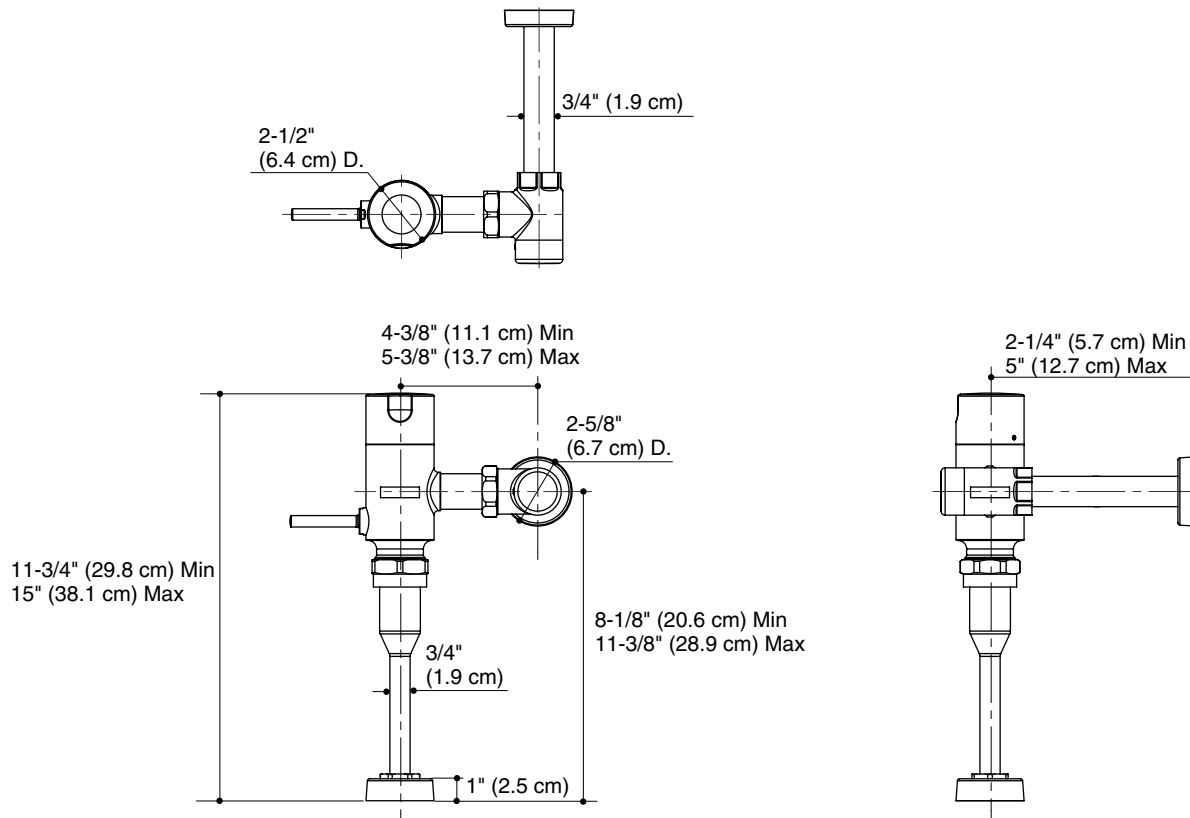
- CP: Polished Chrome

Product Specification

The manual flush valve shall be made of brass construction. Valve shall feature non-hold open piston technology for accurate activation. Valve shall have a fixture-mount design. Valve is intended for urinal installations with a 3/4" spud coupling connection and retrofit models require a control stop and vacuum breaker. Valve shall have a 1.0 gpf (3.8 lpf) for washout urinals (K-13518 and K-13518-RF) or 0.5 gpf (1.9 lpf) for washout urinals (K-13519 and K-13519-RF). Exposed flush valve shall be Kohler Model K-_____-CP.

Installation Notes

Install this product according to the installation guide.



Product Diagram