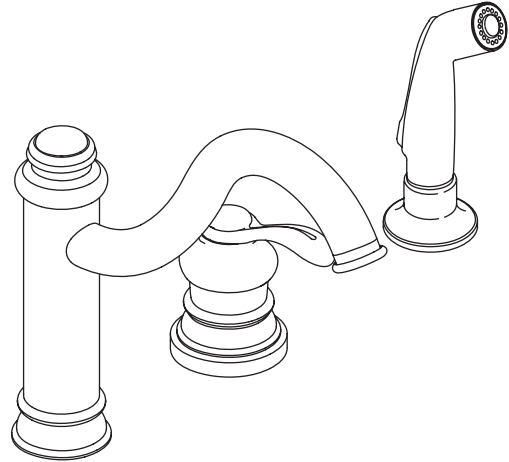


Features

- Metal construction
- Brass valve body
- One-piece, self-contained ceramic disc valve allows both volume and temperature control
- Temperature memory allows faucet to be turned on and off at any temperature setting
- High-temperature limit stop for added safety
- 2.2 gallons (8.3 L) per minute
- Color matched handspray
- Remote lever handle
- Flexible connections for easy installation
- Handles are ADA compliant
- 9-3/8" (23.8 cm) swing spout

**KITCHEN SINK HIGHPOUT FAUCET
K-12185**

ADA



Codes/Standards Applicable

Specified model meets or exceeds the following:

- ASME A112.18.1
- CSA B125
- IAPMO/UPC
- NSF 61
- Energy Policy Act of 1992 (EPACT)
- ADA

Colors/Finishes

- CP: Polished Chrome
- BN: Brushed Nickel
- Other: Refer to Price Book for additional colors/finishes

Specified Model:

Model	Description	Colors/Finishes		
K-12185	Fairfax® highpout remote kitchen sink faucet with handspray	<input type="checkbox"/> CP	<input type="checkbox"/> BN	<input type="checkbox"/> Other ____

PRODUCT SPECIFICATION

Single-control kitchen sink faucet shall be of metal construction. The valve shall be a one-piece, self-contained ceramic disc valve, and allows both volume and temperature control. The valve shall feature temperature memory, allowing the faucet to be turned on and off at any temperature setting, and includes a high-temperature limit stop. The faucet shall have a flow rate of 2.2 gallons (8.3 L) per minute [max at 60 psi (4.14 bar)]. Product shall include 9-3/8" (23.8 cm) swing spout, remote lever handle, flexible supplies, and handspray. Faucet shall be ADA compliant. Faucet shall be Kohler Model K-12185-____-____.

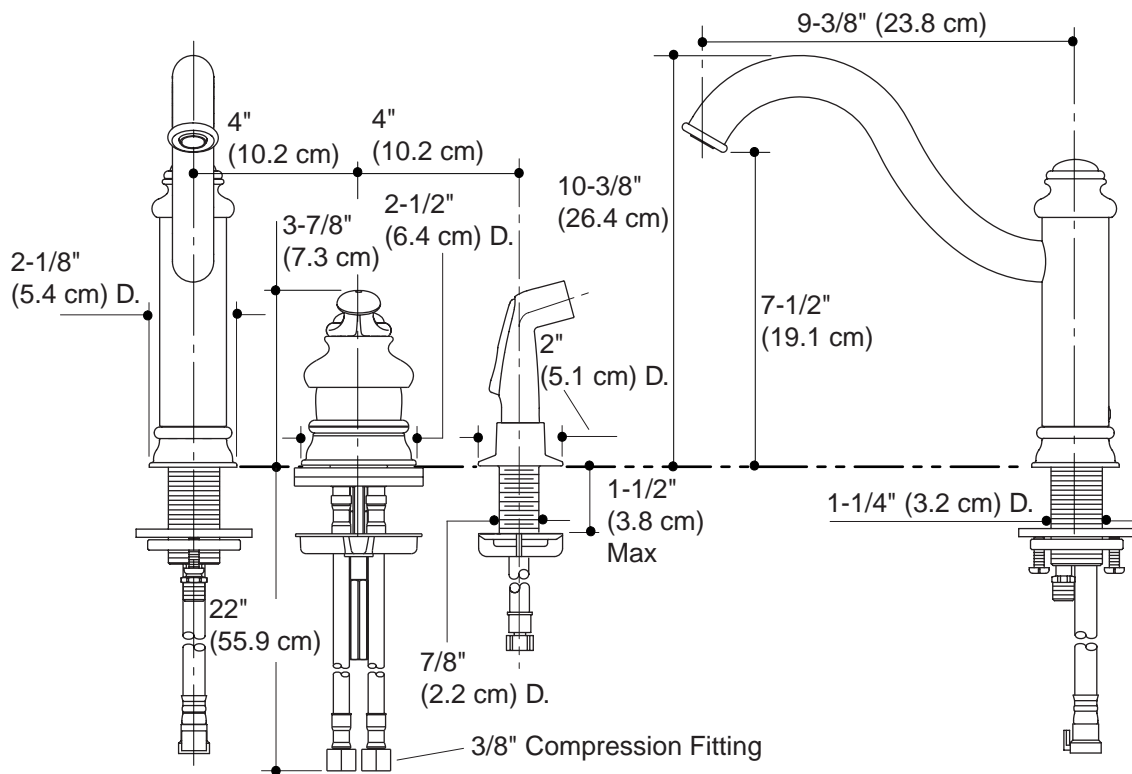
FAIRFAX®

Technical Information

Applicable sink faucet with handspray:	
Fairfax® highspout remote kitchen sink faucet with handspray	K-12185
<div style="border: 1px solid black; padding: 5px; display: inline-block;">ADA</div>	
Lever handle is ADA compliant	

Installation Notes

Install this faucet following the installation instructions provided.



Product Diagram