

Features

- Vitreous china
- With overflow
- Wall-mount
- Drilled for concealed arm carrier
- Optional soap dispenser hole on left (-L) or right (-R)
- 11-1/2" (29.2 cm) centers (K-12634), 4" (10.2 cm) centers (K-12636), or single-hole (K-12638)
- 20" (50.8 cm) x 27" (68.6 cm)

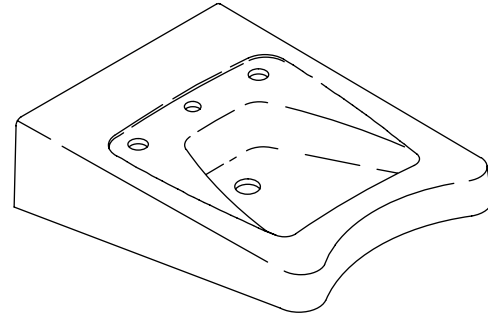
WHEELCHAIR LAVATORY K-12634

ALSO K-12636, K-12638

ADA

CSA B651

OBC



Codes/Standards Applicable

Specified model meets or exceeds the following:

- ADA
- ICC/ANSI A117.1
- CSA B651
- OBC
- ASME A112.19.2/CSA B45.1

Colors/Finishes

- 0: White
- Other: Refer to Price Book for additional colors/finishes

Accessories

- CP: Polished Chrome

Specified Model

| Model | Description | Colors/Finishes | |
|-----------|----------------------------------------------------------------------|----------------------------|--------------------------------------|
| | | <input type="checkbox"/> 0 | <input type="checkbox"/> Other _____ |
| K-12634 | 11-1/2" (29.2 cm) centers lavatory less soap dispenser hole | <input type="checkbox"/> 0 | <input type="checkbox"/> Other _____ |
| K-12634-L | 11-1/2" (29.2 cm) centers lavatory with soap dispenser hole on left | <input type="checkbox"/> 0 | <input type="checkbox"/> Other _____ |
| K-12634-R | 11-1/2" (29.2 cm) centers lavatory with soap dispenser hole on right | <input type="checkbox"/> 0 | <input type="checkbox"/> Other _____ |
| K-12636 | 4" (10.2 cm) centers lavatory less soap dispenser hole | <input type="checkbox"/> 0 | <input type="checkbox"/> Other _____ |
| K-12636-L | 4" (10.2 cm) centers lavatory with soap dispenser hole on left | <input type="checkbox"/> 0 | <input type="checkbox"/> Other _____ |
| K-12636-R | 4" (10.2 cm) centers lavatory with soap dispenser hole on right | <input type="checkbox"/> 0 | <input type="checkbox"/> Other _____ |
| K-12638 | Single-hole lavatory less soap dispenser hole | <input type="checkbox"/> 0 | <input type="checkbox"/> Other _____ |
| K-12638-L | Single-hole lavatory with soap dispenser hole on left | <input type="checkbox"/> 0 | <input type="checkbox"/> Other _____ |
| K-12638-R | Single-hole lavatory with soap dispenser hole on right | <input type="checkbox"/> 0 | <input type="checkbox"/> Other _____ |

Recommended Accessories table is on page 2.

Product Specification

The wheelchair lavatory shall be made of vitreous china. The lavatory shall be 20" (50.8 cm) in length, and 27" (68.6 cm) in width. The lavatory shall have 11-1/2" (29.2 cm) centers (K-12634), 4" (10.2 cm) centers (K-12636), or single-hole (K-12638). The lavatory shall be wall-mount, and drilled for concealed arm carrier. The lavatory shall have overflow, and optional soap dispenser hole on left (-L) or right (-R). The lavatory shall be Kohler Model K-_____-_____-_____.

MORNINGSIDE™

Recommended Accessories

| | | |
|----------|--------------|-----------------------------|
| K-8998 | P-trap | <input type="checkbox"/> CP |
| K-7131-A | Offset drain | <input type="checkbox"/> CP |

Technical Information

| | |
|------------------------------------------------|-----------------------------|
| Fixture*: | |
| Basin area | 14" (35.6 cm) x 13" (33 cm) |
| Water depth | 2-5/8" (6.7 cm) |
| Drain hole | 1-3/4" (4.4 cm) D. |
| *Approximate measurements for comparison only. | |

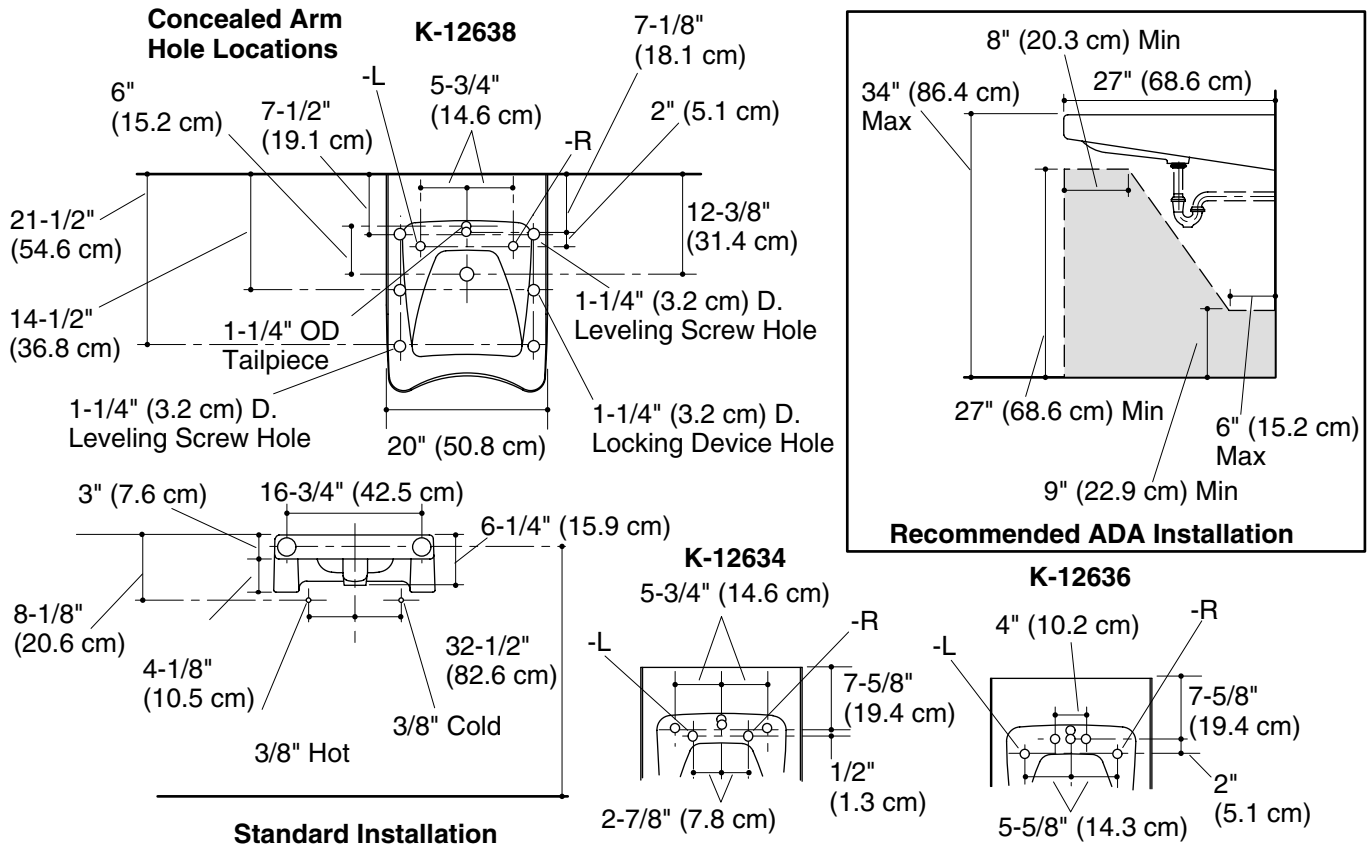
| Holes | K-12634 | K-12636 | K-12638 |
|----------------|--------------------|--------------------|--------------------|
| Spout | 1-3/8" (3.5 cm) D. | 1-1/4" (3.2 cm) D. | 1-3/8" (3.5 cm) D. |
| Faucet | 1-3/8" (3.5 cm) D. | 1-1/4" (3.2 cm) D. | |
| Soap dispenser | 1-1/4" (3.2 cm) D. | | |

Installation Notes

Will comply with **ADA** when installed per Section 606 Lavatories of the Act.

Will comply with **CSA B651** when installed per Clause 4.3.3 of the standard.

Will comply with **OBC** when installed per Clause 3.8.3.11.



Product Diagram