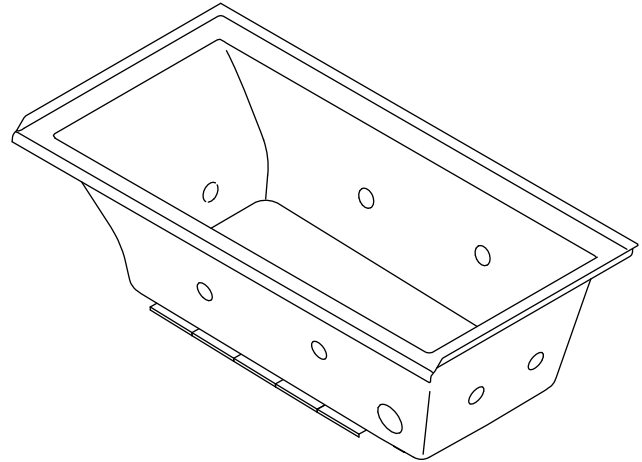


Features

- Acrylic
- 8 Flexjet™ whirlpool jets
- Less all trim
- Variable speed pump with 1.5 kW heater and back-lit user keypad
- Integral 3-sided tiling flange for alcove installation
- 60" (1524 mm) x 30" (762 mm) x 19" (483 mm)

INTEGRAL FLANGE BATH WHIRLPOOL WITH HEATER K-1167-LH2 ALSO K-1167-RH2



Codes/Standards Applicable

Specified model meets or exceeds the following:

- CSA B45.5/IAPMO Z124
- ASME A112.19.7
- ASTM E162
- ASTM E662
- UL 1795

Colors/Finishes

- 0: White
- Other: Refer to Price Book for additional colors/finishes

Specified Model

Model	Description	Colors/Finishes	
K-1167-LH2	Integral flange bath whirlpool with heater – left drain	<input type="checkbox"/> 0	<input type="checkbox"/> Other_____
K-1167-RH2	Integral flange bath whirlpool with heater – right drain (shown)	<input type="checkbox"/> 0	<input type="checkbox"/> Other_____

Required Accessories					
K-7271	Clearflo slotted overflow brass bath drain OR		<input type="checkbox"/> CP	<input type="checkbox"/> PB	<input type="checkbox"/> Other_____
K-7272	Clearflo slotted overflow bath drain – PVC pipe		<input type="checkbox"/> CP	<input type="checkbox"/> PB	<input type="checkbox"/> Other_____
K-9698	Jet trim kit	<input type="checkbox"/> 0			<input type="checkbox"/> Other_____

Optional Accessories					
K-1491	Pillow	<input type="checkbox"/> 0			<input type="checkbox"/> Other_____
K-1601	Footstop	<input type="checkbox"/> 0			<input type="checkbox"/> Other_____
K-1703	Remote control			<input type="checkbox"/> NA	
K-9497	2-1/2" (64 mm) metal finish keypad trim		<input type="checkbox"/> CP	<input type="checkbox"/> PB	<input type="checkbox"/> Other_____

Product Specification

The acrylic bath whirlpool shall be 60" (1524 mm) in length, 30" (762 mm) in width, and 19" (483 mm) in height. Bath shall have 8 Flexjet whirlpool jets. Bath shall be less all trim. Bath shall feature variable speed pump with 1.5 kW heater and back-lit user keypad. Bath shall have integral 3-sided tiling flange for alcove installation. Bath shall be Kohler Model K-1167-____-____.

UNDERSCORE®

Technical Information

Fixture*:	
Bathing well:	
Basin area, bottom	42-7/16" (1078 mm) x 20" (508 mm)
Basin area, top	54-5/16" (1380 mm) x 24-1/4" (616 mm)
Weight	125 lbs (56.7 kg)
To overflow:	
Water depth	15-1/8" (384 mm)
Capacity	59.8 gal (226 L)
* Approximate measurements for comparison only.	

Pump	kW	V	Hz	A
Variable-speed	1.5	240	50/60	11

Required Electrical Service

Dedicated circuit required, protected with Class A Ground-Fault Circuit-Interrupter (GFCI) or Residual Current Device (RCD):	
Pump/control:	220-240 V, 20 A, 50/60 Hz

Installation Notes

Install this product according to the installation guide.

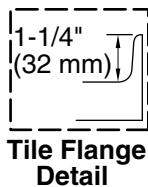
This unit is not intended for flush-mount apron installation.

Floor support under bath must provide for a minimum of 46 lbs/square foot (222 kg/square meter) loading.

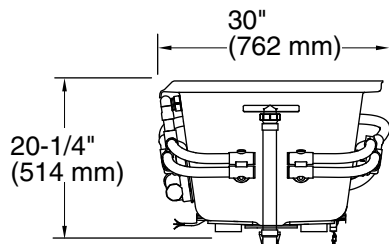
Hot water supply should be 70% of capacity or greater. Installations will vary.

No change in measurement if connected with drain illustrated. (K-7272)

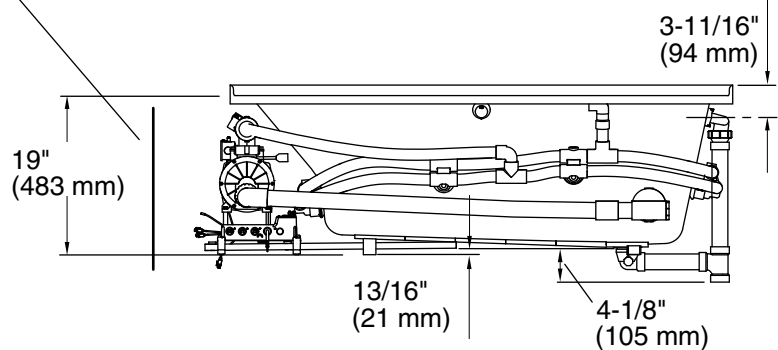
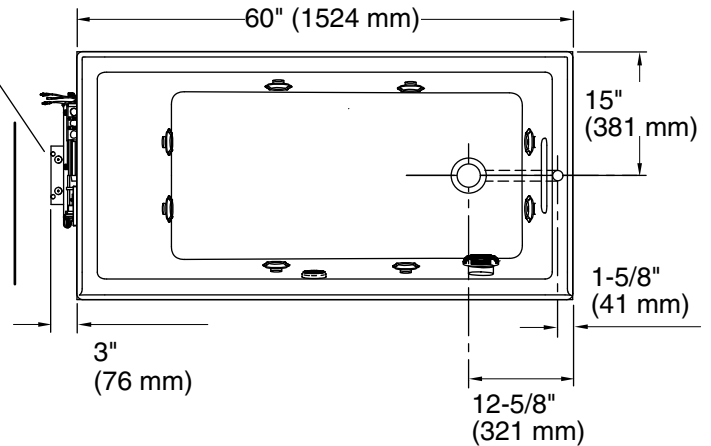
NOTE: Pump protrusion beyond the rim.



Pump/Control Access
30" (762 mm) W x
15" (381 mm) H Min



1-1/2" Bath Drain



Product Diagram