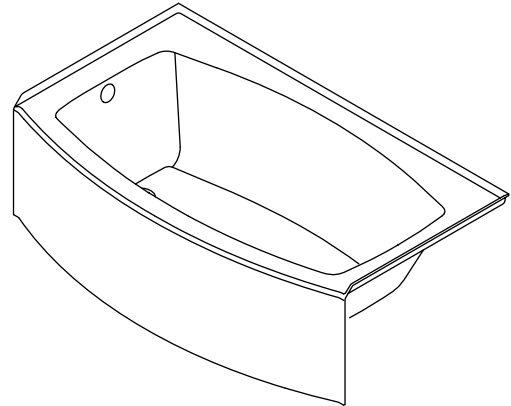


Features

- Acrylic
- Integral tile flange
- Curved integral apron
- Textured bottom surface
- 55.6 gallon (210.5 L) capacity
- Install footprint: 36" (914 mm) width at center of apron
- 60" (1524 mm) x 30" (762 mm) x 17" (432 mm)

CURVED APRON BATH K-1118



Codes/Standards Applicable

Specified model meets or exceeds the following:

- ASME A112.19.7
- ANSI Z124.1.2
- CSA B45.0
- CSA B45.5
- ASTM E162
- ASTM E662

Colors/Finishes

- 0: White
- Other: Refer to Price Book for additional colors/finishes

Accessories

- CP: Polished Chrome
- Other: Refer to Price Book for additional colors/finishes

Specified Model

Model	Description	Colors/Finishes	
K-1118-LA	Curved apron bath – left drain (shown)	<input type="checkbox"/> 0	<input type="checkbox"/> Other _____
K-1118-RA	Curved apron bath – right drain	<input type="checkbox"/> 0	<input type="checkbox"/> Other _____
Recommended Accessories			
K-7213	Clearflo cable bath drain with PVC tubing OR	<input type="checkbox"/> CP	<input type="checkbox"/> Other _____
K-7214	Clearflo cable bath drain, less PVC tubing OR	<input type="checkbox"/> CP	<input type="checkbox"/> Other _____
K-7259	Clearflo brass Toe-tap bath drain	<input type="checkbox"/> CP	<input type="checkbox"/> Other _____

Product Specification

The curved apron bath shall be made of acrylic. Bath shall be 60" (1524 mm) in length, 30" (762 mm) in width, and 17" (432 mm) in height. Bath shall feature a curved integral apron, integral tile flange, and textured bottom surface. Bath shall have install footprint of 36" (914 mm) width at center of apron. Bath shall have a capacity of 55.6 gallons (210.5 L). Bath shall be Kohler Model K-1118-____-____.

EXPANSE™

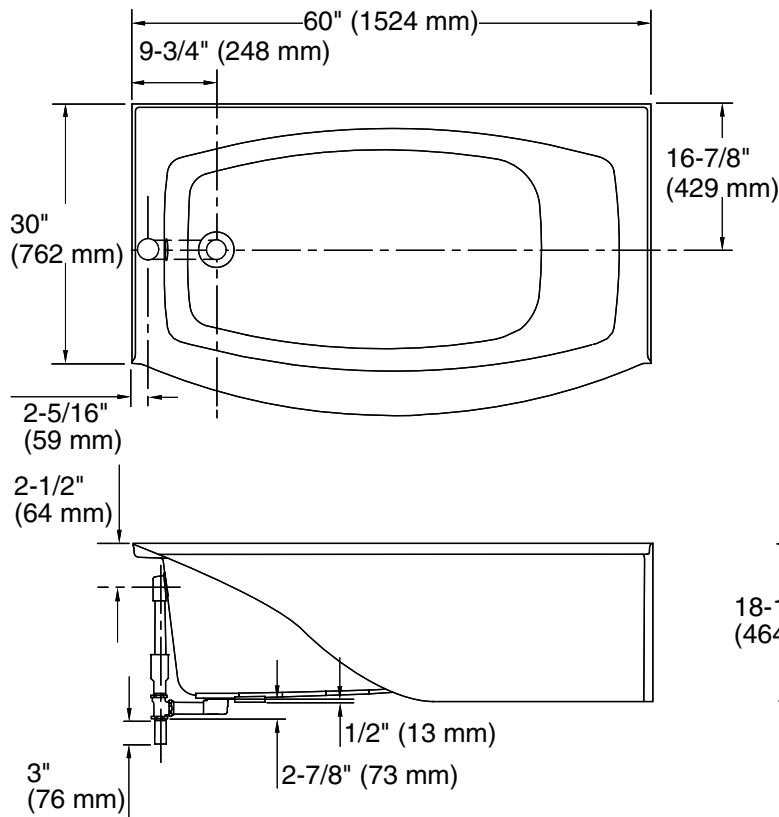
Technical Information

Fixture*:	
Bathing well:	
Basin area, bottom	45-5/16" (1151 mm) x 25-9/16" (649 mm)
Basin area, top	52-9/16" (1335 mm) x 28-1/16" (713 mm)
Weight	70 lbs (32 kg)
To overflow:	
Water depth	12-11/16" (322 mm)
Capacity	55.6 gal (210.5 L)
*Approximate measurements for comparison only.	

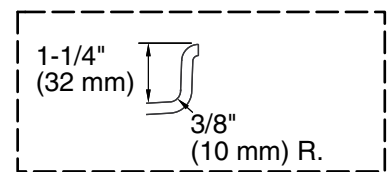
Installation Notes

Install this product according to the installation guide.

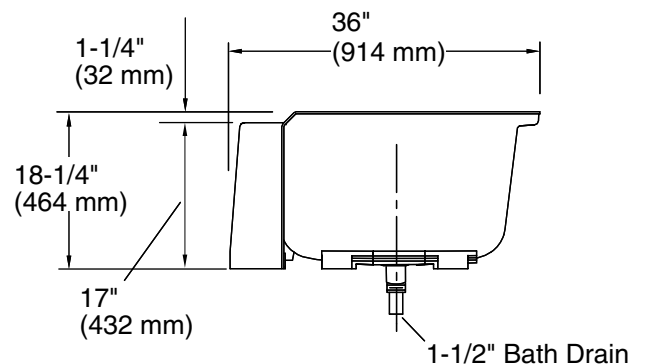
Floor support under the bath must provide for a minimum of 45 lbs/square foot (219.7 kg/square meter) loading.



No change in measurements if connected with drain illustrated. (K-7213)



Integral Flange Detail



Product Diagram