

Product Information

Applicable product:		
Bath for drop-in installation		K-1184
Bath with integral apron for alcove installation – left drain		K-1184-LA
Bath with integral apron for alcove installation – right drain (shown)		K-1184-RA
Fixture*:		
Basin area:		
Bathing well	42" (106.7 cm) x 20" (50.8 cm)	
Top area	51" (129.5 cm) x 24" (61 cm)	
To overflow:		
Water depth	14" (35.6 cm)	
Capacity	60 gal (277.1 L)	
Weight	K-1184	70 lbs (31.8 kg)
	K-1184-LA, K-1184-RA	80 lbs (36.3 kg)
	* Approximate measurements for comparison only.	
Drop-in cut-out [K-1184]	58" (147.3 cm) x 30" (76.2 cm)	

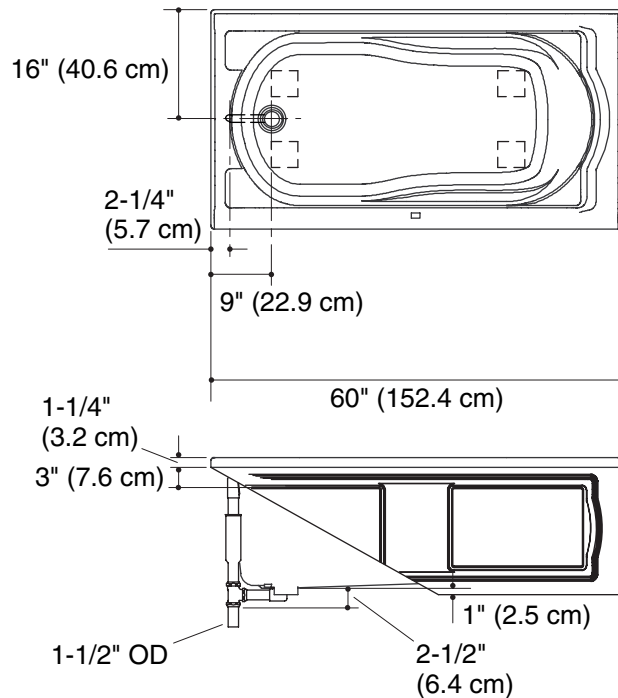
Installation Notes

Install this product according to the installation guide.

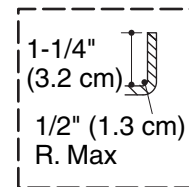
Floor support under bath must provide for a minimum of 41 lbs/square foot (202 kg/square meter) loading.

Fixture conforms to ANSI Standard Z124.1.2. All dimensions are nominal.

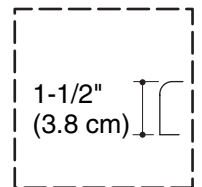
K-1184-LA/RA



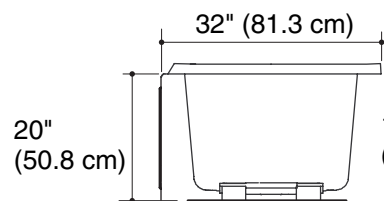
No change in measurements if connected with drain illustrated. (K-7161-AF or K-7161M-AF)



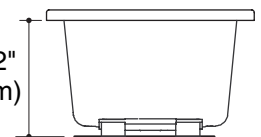
Integral Flange Detail



Drop-in Rim Detail



K-1184-LA/RA



K-1184