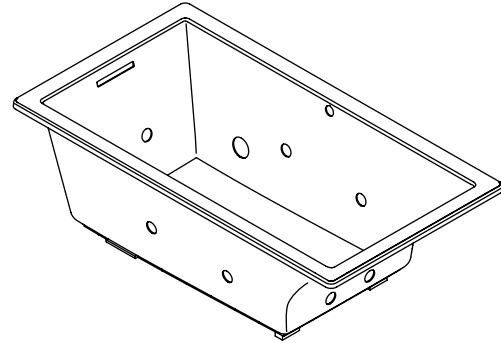


Features

- Acrylic
- 8 Flexjet™ whirlpool jets
- Drop-in or undermount installation
- Molded lumbar support
- Less all trim
- Variable-speed pump with 1.5kW heater and back-lit user keypad
- 66" (1676 mm) x 36" (914 mm) x 22" (559 mm)

5.5' (1.7 m) BATH WHIRLPOOL K-1173-H2



Codes/Standards Applicable

Specified model meets or exceeds the following:

- ANSI Z124.1.2
- ASME A112.19.7
- UL 1795
- ASTM E162
- ASTM E662

Colors/Finishes

- 0: White
- Other: Refer to Price Book for additional colors/finishes

Accessories

- CP: Polished Chrome
- Other: Refer to Price Book for additional colors/finishes

Specified Model

Model	Description	Colors/Finishes	
K-1173-H2	5.5' (1.7 m) bath whirlpool	<input type="checkbox"/> 0	<input type="checkbox"/> Other_____
Required Accessories			
K-7271	Clearflo slotted overflow brass bath drain OR	<input type="checkbox"/> CP	<input type="checkbox"/> Other_____
K-7272	Clearflo slotted overflow bath drain – PVC pipe	<input type="checkbox"/> CP	<input type="checkbox"/> Other_____
K-9698	Jet trim kit	<input type="checkbox"/> CP	<input type="checkbox"/> Other_____
Optional Accessories			
K-591	Undermount kit	<input type="checkbox"/> NA	
K-1491	Pillow	<input type="checkbox"/> 0	<input type="checkbox"/> Other_____
K-1601	Footstop	<input type="checkbox"/> 0	
K-1703	Remote control	<input type="checkbox"/> NA	
K-9497	2-1/2" (64 mm) metal finish keypad trim	<input type="checkbox"/> CP <input type="checkbox"/> PB	<input type="checkbox"/> Other_____

Product Specification

The acrylic bath whirlpool shall be 66" (1676 mm) in length, 36" (914 mm) in width, and 22" (559 mm) in height. Product shall have 8 Flexjet whirlpool jets. Product shall be for drop-in or undermount installation. Product shall have molded lumbar supports. Product shall be less all trim. Product shall have variable-speed pump with 1.5 kW heater and back-lit user keypad. Bath whirlpool shall be Kohler Model K-1173-H2-_____.

UNDERScore®

Technical Information

Fixture*:				
Bathing well:				
Basin area, bottom	44-1/2" (1130 mm) x 26-1/2" (673 mm)			
Basin area, top	60-1/4" (1530 mm) x 30-1/4" (768 mm)			
Weight	130 lbs (59 kg)			
To overflow:				
Water depth	16" (406 mm)			
Capacity	102 gal (386 L)			
* Approximate measurements for comparison only.				
Drop-in cut-out				
65" (1651 mm) x 35" (889 mm)				
Pump:	kW	V	Hz	A
Variable-speed	1.5	240	50/60	11

Required Electrical Service

Dedicated circuit required, protected with a Class A Ground-Fault Circuit-Interrupter (GFCI) or Residual Current Device (RCD):

Pump/control	220-240 V, 20 A, 50/60 Hz
--------------	---------------------------

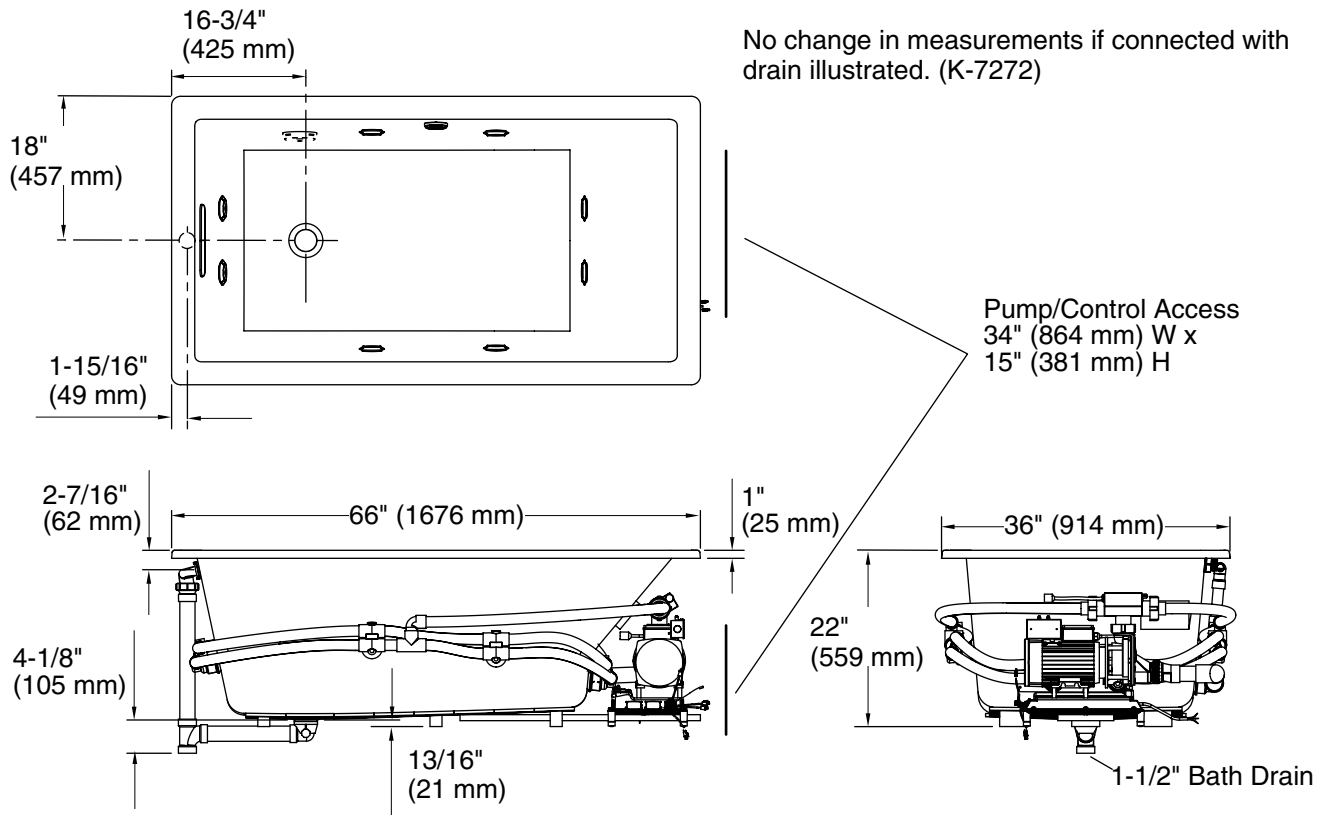
Installation Notes

Install this product according to the installation guide.

Hot water supply should be 70% of capacity or greater.

A pump motor/control access panel required.

Floor support under the whirlpool must provide for a minimum of 61 lbs/square foot (298 kg/square meter) loading.



Product Diagram

UNDERScore® 5.5' (1.7 m) BATH WHIRLPOOL

Page 2 of 2
1167575-4-B

THE BOLD LOOK
OF **KOHLER**®