

# Installation and Care Guide

## Bath with Airjets

Save These Instructions  
Conserver ces instructions  
Guarde estas instrucciones

Retain serial number for reference:

Numéro de série du produit:

Número de serie del producto: \_\_\_\_\_

Français, page "Français-1"

Español, página "Español-1"

THE BOLD LOOK  
OF **KOHLER**®

1198327-2-A

# Installation Instructions



**WARNING:** When using electrical products, basic precautions should always be followed, including the following:



**DANGER: Risk of electric shock.** Connect only to a circuit protected by a Ground-Fault Circuit-Interrupter (GFCI)\*.

Building materials and wiring should be routed away from the blower body and other heat-producing components of the unit.

Install to permit access for servicing.

A pressure wire connector marked "Earth/Ground" is provided within the wiring compartment. To reduce the risk of electric shock, connect this connector to the grounding terminal of your electric service or supply panel with copper wire equivalent in size to the circuit conductor supplying this equipment.

Pressure wire connectors are provided on the exterior of the junction box or control within this unit to permit connection of a bonding conductor between this unit and all other exposed metal in the vicinity, as needed to comply with local requirements.

An equipment grounding terminal is provided in the field wiring compartment. To reduce the risk of electric shock, this terminal must be connected to the grounding means provided in the electric supply panel with a conductor equivalent in size to the circuit conductors supplying this equipment.

**Grounding is required.** The unit should be installed by a qualified service representative, and grounded.



**WARNING: Risk of injury or property damage.** Please read all instructions thoroughly before beginning installation, including the following requirements.



**WARNING: Risk of electric shock.** A qualified electrician should make all electrical connections.



**WARNING: Risk of electric shock.** Disconnect power before servicing.

**NOTICE: Follow all local plumbing and electrical codes.** In Canada, install this unit in accordance with the Canadian Electrical Code, Part 1.

\*Outside North America, this device may be known as a Residual Current Device (RCD).

## Product Information

### Electrical Requirements

The installation must have a Class A Ground-Fault Circuit-Interrupter (GFCI) or Residual Current Device (RCD). The GFCI or RCD protects against line-to-ground shock hazards. **Use a 220 - 240 V, 20 A, 50/60 Hz dedicated service for the bath.**

### Product Notices



**WARNING: Risk of personal injury or property damage.** Unauthorized modification may cause unsafe operation or affect performance of the bath. Do not relocate the blower motor, or make other modifications to the bath system in the absence of kit or other published instructions, as this could adversely affect the performance and safe operation of the product. Kohler Co. shall not be liable under its warranty or otherwise for personal injury or damage caused by any such unauthorized modification. Refer to the "Prepare the Blower (Remote Site)" section for blower motor relocation requirements, recommendations, and section coverage information.

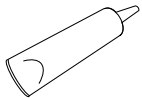
**NOTICE:** Keep the area around the blower motor clean and free of debris. Ensure that the area around the blower motor is free of sawdust, insulation, dirt, or other small loose debris. Such material could plug the blower motor air intake and reduce the air flow through the blower.

## Product Information (cont.)

### Features

Factory assembled components include a blower motor, air harness, control, check valve, butterfly valves, chromotherapy lights (if provided), electrical harnesses, and an illuminated user keypad. Other than power wiring and plumbing, no assembly is required.

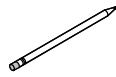
### Tools and Materials



Silicone Sealant



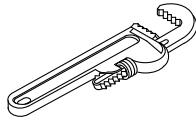
Tape Measure



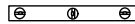
Pencil



Safety Glasses



Pipe Wrench



Level

#### Plus:

- Conventional woodworking tools and materials
- Drop Cloth
- Construction adhesive (optional)
- Cement\* or mortar (optional)
- 2x4s

\* Do not use gypsum cement.

### Prepare the Blower (Remote Site)

**NOTICE:** The blower motor and the check valve must be relocated together. Do not relocate one without the other.

**NOTE:** This bath can be installed as received or with the blower motor and check valve relocated to another location. Refer to the appropriate sections throughout this manual for instructions related to your particular installation. Read this section before relocating your blower.

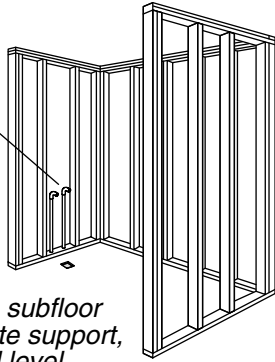
- Relocate the blower and check valve as close as possible to the bath to maximize performance. Do not relocate the blower and check valve more than 15' (4.5 m) from the bath.
- Position the blower 1-1/2" (38 mm) above the floor. Do not mount the blower motor with the blower motor discharge pointing up.
- Use 1-1/2" PVC or equivalent rigid piping.
- The piping installation must meet the requirements of local plumbing or building codes. Ensure that the installation does not reduce the fire rating of any walls. Piping must be supported at intervals along the length in accordance with local codes.
- Ensure that the blower motor location is clean and free of dust or debris.
- Install an access panel for blower motor maintenance.
- The 18 AWG minimum power cable to the blower motor must meet the requirements of all applicable electrical or building codes. Ensure that the installation does not reduce the fire rating of any walls.
- The power cord must be supported at intervals along its length in accordance with local codes. Power cords must not rest on surfaces or floors that are subject to flooding.
- All material needed for the relocation must be supplied by the installer.
- Additional tools and materials you will need:

### **Prepare the Blower (Remote Site) (cont.)**

- Electrician pliers
- Assorted screwdrivers
- Adjustable wrench
- Drill and bits to install the blower mounting fasteners
- 18 AWG non-metallic sheathed cable, two conductors with ground, with support clips, as required
- One 4" (102 mm) x 2" (51 mm) electrical junction box with cover, gasket, and mounting screws
- Three strain reliefs - one must fit the blower motor cover with standard National Pipe Thread (NPT) threads. The other two must fit the holes in the new junction box.
- Six wire connectors (wire nuts or equivalent)
- 1-1/2" PVC or other rigid pipe with fittings, unions, PVC cement (or equivalent fastening method), and support clips, as required
- Four fasteners (such as flathead wood screws or concrete anchors) to secure the blower motor
- Solid copper 8-gauge bonding wire, 36" (914 mm)

## Alcove

Position the rough plumbing.



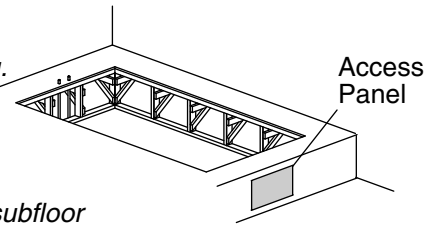
Construct 2x4 stud framing according to the roughing-in information.

Verify that the subfloor offers adequate support, and is flat and level.

## Drop-In

Position the rough plumbing.

Construct according to the product dimensions.



Verify that the subfloor offers adequate support, and is flat and level.

## 1. Prepare the Site

**NOTICE:** Measure your product for site preparation. Note the **model number** located on the blower, then visit the product page at [www.kohler.com](http://www.kohler.com) for more information.

**NOTICE:** Provide adequate ventilation and a minimum 15 cubic feet (.4 cubic meters) air space in the installed location for cooling the motor and to supply sufficient air for the blower. Do not install the blower motor closer than 1" (25 mm) from the wall or other objects.

**NOTICE: Provide generous, unrestricted access to the blower.** You must provide access for servicing the blower and controls. The access must be located immediately next to the blower.

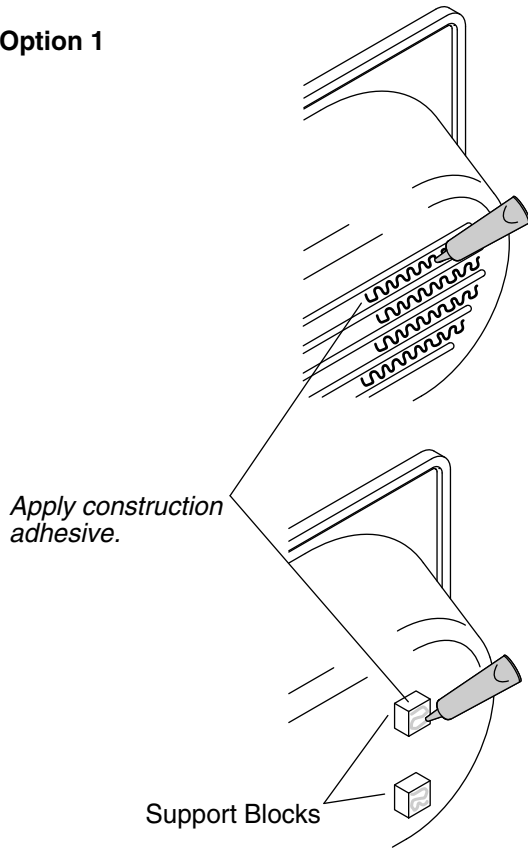
**NOTICE:** Do not lift the bath by the piping or blower, or use the piping or blower for structural support of the bath. To avoid damage to the bath, lift at the sides of the bath.

**NOTICE:** Do not support the weight of the bath by the rim.

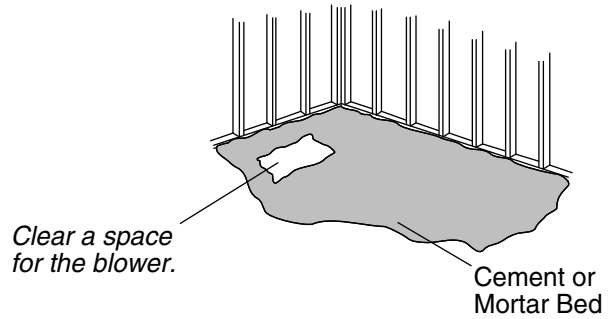
**NOTE:** Drop-in, alcove, or corner installation is possible, depending on the product chosen.

- Carefully unpack and inspect the new bath for damage before installation. If there is damage do not install the bath; contact your dealer.
- Make sure the flooring offers adequate support for your bath, and verify that the subfloor is flat and level.
- Construct 2x4 stud framing.
- Install an access panel for future blower servicing. The access panel must be at least 34" (864 mm) wide by 15" (381 mm) high.
- Install the rough plumbing.
- Install the drain to the bath according to the drain manufacturer's instructions.
- Protect the bath surface by positioning a clean drop cloth in the basin bottom.

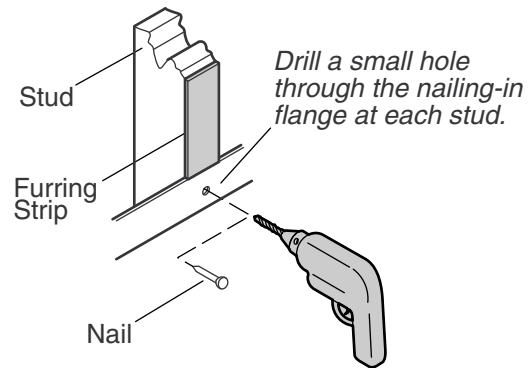
### Option 1



### Option 2



### Three Wall Alcove or Corner Installations



## 2. Install the Bath

**NOTICE:** Do not lift the bath by the piping or blower, or use the piping or blower for structural support of the bath. To avoid damage to the bath, lift by the rim at the sides of the bath.

- If the subfloor is not level, shim the bath support blocks or molded supports as necessary.

### Option 1: Install Using Construction Adhesive

**NOTE:** Some models come with support blocks; some models have molded supports.

- Apply a generous amount of high-quality construction adhesive to the bottom of the support blocks or molded supports. With help, carefully lift the bath into position.

### Option 2: Using a Cement or Mortar Bed

**NOTE:** Do not use gypsum cement or drywall compound for this application, as they will not provide an acceptable, durable bond.

- Set the basin area in 1" (25 mm) to 2" (51 mm) of mortar cement.

### Secure the Nailing-in Flanges (Alcove Units)

- Drill a small pilot hole through the nailing-in flange at each stud. Add shims as needed.
- Use large-head galvanized nails to secure the nailing-in flange to the studs.
- Nail 1/4" (6 mm) thick furring strips to the studs.

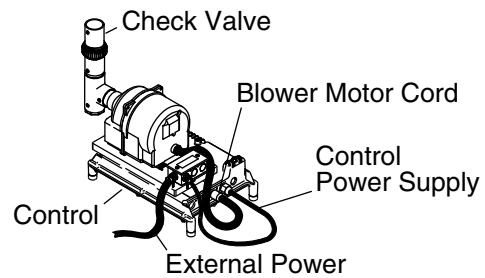
### Install the Plumbing

- Insert the drain tailpiece into the trap. Secure the drain tailpiece to the trap.

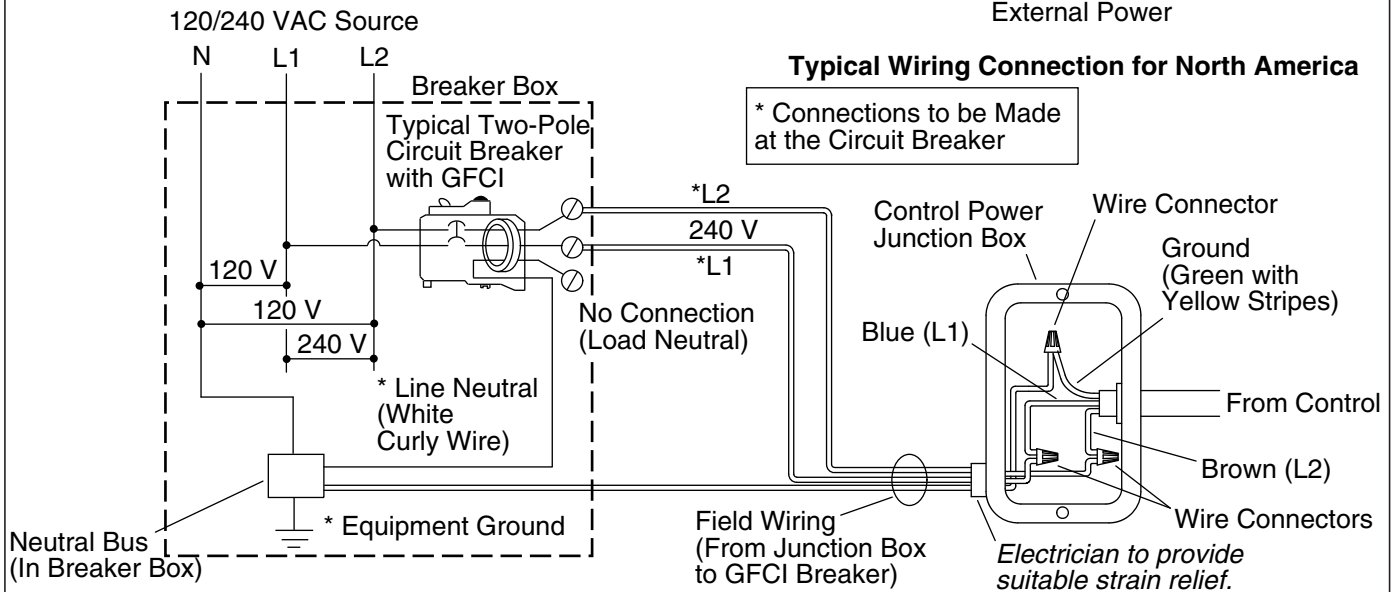
### **Install the Bath (cont.)**

- Install the faucet valve.
- Check the drain connections for leakage.

Bond in accordance with national and local codes. Open bonding lugs are located at the top of the junction box.



### Typical Wiring Connection for North America



## 3. Make Electrical Connections - Standard

**NOTE:** The product model number is printed on a label on the blower side of the bath. This label also identifies the electrical rating of the product. **All baths come equipped with a wiring junction box and are designed to operate between 220 V and 240 V at either 50 Hz or 60 Hz.**



**WARNING: Risk of electrical shock.** Make sure the power has been disconnected before performing the following procedures.



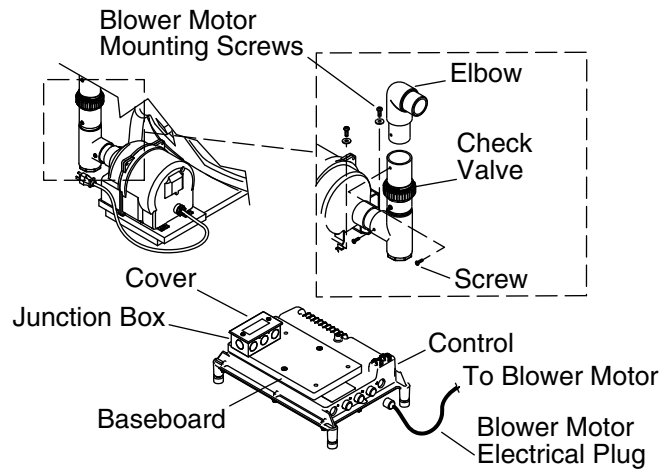
**WARNING: Risk of electrical shock.** Connect the blower to a properly grounded Ground-Fault Circuit-Interrupter (GFCI) or Residual Current Device (RCD). This will provide additional protection against line-to-ground shock hazard. A 220-240 V, 20 A, 50/60 Hz dedicated circuit is required.

**IMPORTANT!** The **load neutral** is not used. There should be no connection to the **load neutral** terminal on the Ground-Fault Circuit-Interrupter (GFCI) breaker. The green wire with the yellow stripe is the **equipment ground** and needs to be connected to the neutral bus in the main circuit breaker box.

**NOTE:** The wiring harness includes an antenna for the optional remote control. Do not alter or damage this antenna during installation.

- Connect service to the junction box. The junction box contains blue, brown, and green with a yellow stripe colored wires and a ground lug
- Follow local electrical codes. Bond in accordance with national and local codes.





#### 4. Disconnect the Blower Motor - Remote

**NOTICE:** This section applies only to installations in which the blower motor and check valve are being relocated.

**NOTICE:** Do not cut the blower piping for this installation.

**NOTICE:** You must relocate the check valve with the blower motor. Do not disconnect the check valve from the tee.

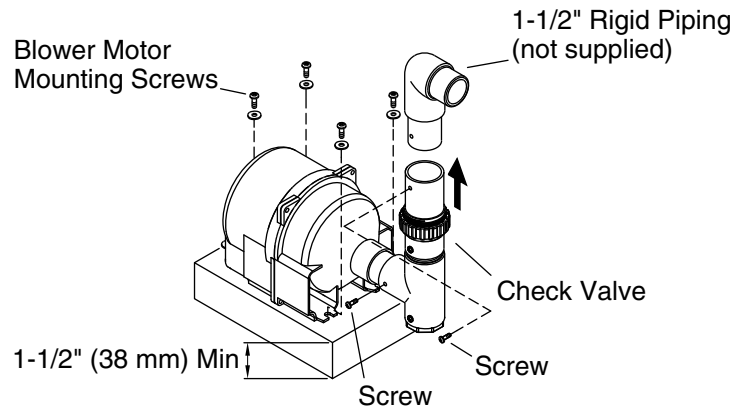
##### Remove the Blower Motor and Check Valve

- Disconnect the blower motor electrical plug from the control.
- Remove any cable ties that support the blower motor cord.
- Remove and retain the screw holding the check valve to the PVC elbow.
- Remove and retain the four screws from the baseboard.
- Slide the blower motor and check valve away from the elbow, and remove the blower motor from the bath.

##### Prepare the Site

**NOTE:** Refer to the "Prepare the Blower (Remote Site)" section for blower relocation details.

- Prepare the site where the blower motor will be installed. The site must be within 15' (4.5 m) of the bath.
- Install an access panel to service the blower motor.
- Prepare the routing paths for the PVC piping and the new blower motor power cable. Follow all applicable codes.

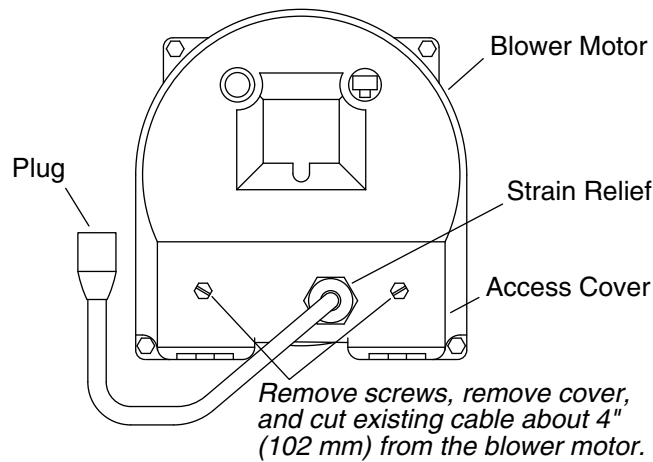


## 5. Mount the Blower Motor and Check Valve - Remote

**NOTE:** The blower motor must be mounted horizontally 1-1/2" (38 mm) above the floor. Do not mount the blower motor with the discharge pointing up.

**NOTE:** Refer to the "Prepare the Blower (Remote Site)" section for other requirements for the blower motor relocation.

- At the new blower motor location, install a 1-1/2" (38 mm) high block (not supplied) to support the blower motor.
- Use the blower motor as a template to mark the location of the four mounting bolts or screws.
- Drill four 1/8" (3 mm) pilot holes for the blower motor mounting screws.
- Install and support PVC or other 1-1/2" rigid piping (not supplied) between the blower motor location and the air harness.
- Connect the new piping to the existing air harness without modifying the air harness. Align the new pipe and secure the connection with PVC cement. **Allow the PVC cement to cure according to the manufacturer's instructions.**
- Connect the check valve assembly to the new piping. Align the new pipe with the check valve assembly and drill a hole for the existing mounting screw. Use silicone or equivalent sealant at the connections and reuse the screw that was removed previously. Allow the sealant to cure according to the manufacturer's recommendations.
- Position the motor on the support block. Reinstall the screw on the check valve.
- Fasten the blower motor to the new support block with the mounting screws.



## 6. Terminate the Cable at the Blower - Remote

### Route the Power Cable

- Route 18 AWG or equivalent power cable (two conductors with ground) between the bath and blower. Support and protect the cable. Follow local electrical codes.

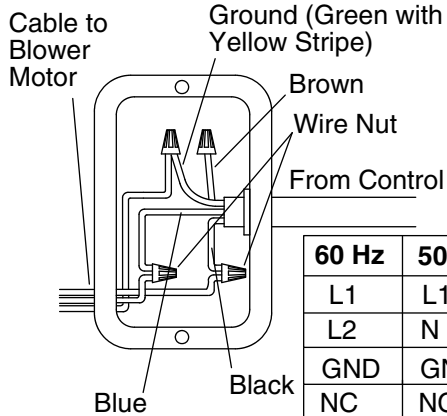
### Prepare the Blower for Remote Installation

- Loosen the cable strain-relief nut on the blower motor. Push the nut back on the cable to provide clearance for the cover removal.
- Remove and retain the two access cover screws from the back of the blower motor. As you are loosening the screws, check periodically if the cover can be slid back on the electrical cable.
- When the cover is loose, use electrician pliers or equivalent to cut the electrical cable at a point about 4" (102 mm) from where the cable enters into the blower motor housing.
- Pull the free end of the electrical cord through the cover, insert, and strain relief nut.
- Discard the existing strain relief nut and insert.
- Reconnect the blower motor plug to the control.
- Install a standard NPT threaded strain relief to the blower motor cover.

### Connect the New Power Cable at the Blower Motor

- On the 4" (102 mm) pigtail lead of the blower motor, strip back the cable jacket about 3" (76 mm).
- On the customer-supplied power cable, strip back the cable jacket about 2" (51 mm).
- In the USA, mark white conductors with red or black tape as required by the National Electric Code (NEC).
- Strip the wire insulation 3/8" (10 mm) from the blower motor pigtail and power cable leads.
- Route the new power cable leads through the blower motor access cover and strain relief.
- Using wire nuts or other approved termination methods, terminate the conductors as follows:
  - Connect the black pigtail lead to the L1 conductor of the power cable.
  - Connect the blue pigtail lead to the L2 or N conductor of the power cable.
  - Connect the green with yellow stripe pigtail lead to the power cable ground conductor.
- With the two screws, reinstall the access cover on the blower motor.
- Tighten the strain relief on the power cable at the blower motor.
- Remove any dust or debris from the blower motor area.

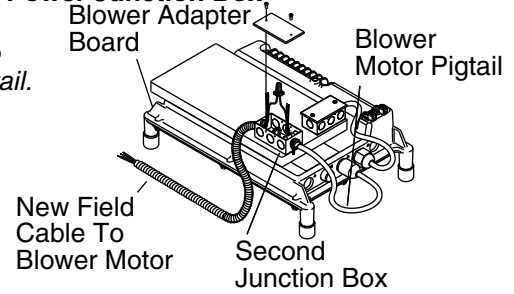
### Second Junction Box



Strip back the jackets about 3" (76 mm) on the field cable and on the blower motor pigtail. Then cut the unused fourth conductor brown wire off at the point that the cable jacket ends.

60 Hz	50 Hz	From Control
L1	L1	Black
L2	N	Blue
GND	GND	Green w/Yellow Stripe
NC	NC	Brown

### Control Power Junction Box



Route the cut end of the cord to the new junction box. Add strain relief. Install junction box with cover and bonding lug (not provided).

## 7. Install the Blower Cord at the Control - Remote

### Install the Second Junction Box on the Control

- Install a second junction box with external bonding lug, two strain reliefs, and a cover (not supplied) on the blower adapter board on the control.
- Connect a solid copper 8-gauge bonding wire from the bonding lug on the new junction box to the spare bonding lug on the control. Follow all local electrical codes.

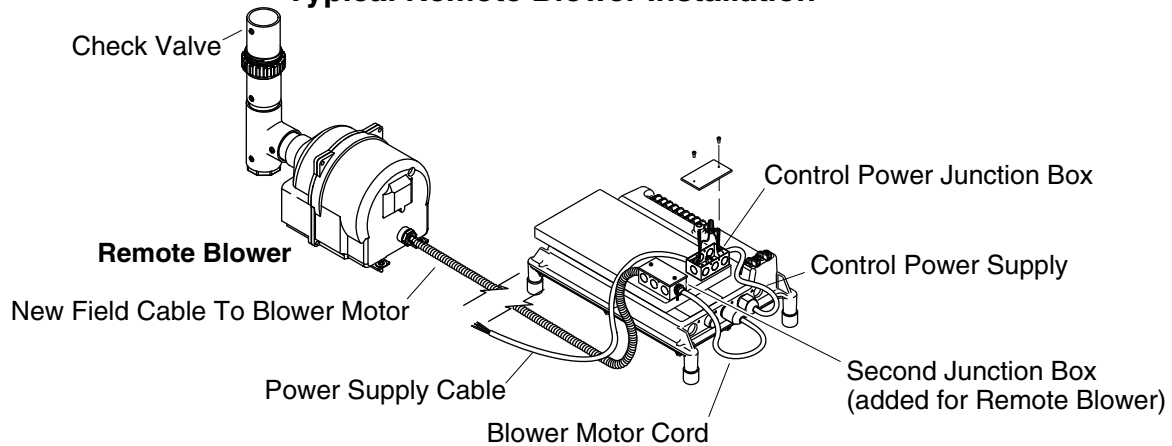
### Reconnect the Blower Motor Power Cord

- If required, reconnect the blower motor power cord at the control.
- Route the blower motor power cord through a strain relief on the second junction box. Tighten the strain relief.
- At the end of the cut power cord, strip back the cable jacket about 3" (76 mm).
- Using a wire nut, cap off the unused brown conductor in the cable jacket.
- Strip about 3/8" (10 mm) of wire insulation from the remaining control wires.

### Reconnect the Blower New Power Cable

- Route the customer-supplied power cable from the blower through the other strain relief on the second junction box. Tighten the strain relief.
- Strip back the cable jacket about 3" (76 mm).
- For installations in the USA, mark the white wire with either red or black electrical tape as required by the National Electric Code (NEC).
- Strip the end of the wires about 3/8" (10 mm).
- Use approved termination devices to terminate the conductors as follows:
  - Connect the black pigtail lead to the L1 conductor of the power cable.
  - Connect the blue pigtail lead to the L2 or N conductor of the power cable.
  - Connect the green with yellow stripe pigtail lead to the grounding or earthing conductor of the power cable.
  - The brown wire is not used and should be capped with a wire nut.
- Install the cover on the new junction box.

## Typical Remote Blower Installation



## 8. Make Power Connections - Remote



**WARNING: Risk of electric shock.** To reduce the risk of electric shock, connect the control to a properly grounded Ground-Fault Circuit-Interrupter (GFCI) or Residual Current Device (RCD). This will provide additional protection against line-to-ground shock hazard. A dedicated 220-240 V, 20 A, 50/60 Hz circuit is required.



**WARNING: Risk of electric shock.** Make sure the power has been disconnected before performing the following procedures.

- Ensure that the control power supply cord is properly routed to the control power junction box. The control power supply cord contains a brown wire (Line 1), a blue wire (Line 2), and a green wire with a yellow stripe (ground or earth).
- Install a strain relief (not provided) for the power supply cable to the control power junction box.
- Route the power supply cable to the control power junction box.
- As required, strip the jacket and wire insulation on both cables to make the connections.
- For installations in the USA, mark any white conductor in the supply power wiring with red or black tape as required by the NEC.
- Connect service to the control power junction box.
- Provide a separate equipment earthing or grounding conductor to the spare earth/ground lug located on the control power junction box. This conductor **must not** be connected to any current-carrying conductor. Follow local electrical codes.
- Bond in accordance with national and local codes.
- Clean the area of all dust and debris.
- All wiring harnesses have been pre-wired at the factory. Ensure that all wires are securely fastened.

**NOTE:** Your wiring harness includes an antenna for the optional remote control. Do not alter or damage this antenna during installation.

## 9. Complete the Installation

### Test Run the Bath

- Fill the bath to a level at least 4" (102 mm) above the top of the highest airjet.
- Operate the bath for 5 minutes and check all bath piping connections for leaks. Check for leakage along the front, sides, and back of the bath.
- For additional information on bath operation, see the "Operating Instructions" section.

## Complete the Installation (cont.)

### Finish the Installation

- Install water-resistant wallboard and all finished wall, deck, and floor materials.
- Apply silicone sealant to seal all areas where the bath and finished wall or deck meet.
- Install the faucet trim.

### Clean-up After Installation

- When cleaning up after installation, **do not use abrasive cleansers**, as they may scratch and dull the bath surface. Use warm water and a liquid detergent to clean the surface of the bath.
- Remove stubborn stains or paint with turpentine or paint thinner. **Do not allow cleaners containing petroleum distillates to remain in contact with any bath surface for long periods of time.** Remove plaster by carefully scraping with a wood edge. Do not use metal scrapers, wire brushes, or other metal tools. Use a powder-type detergent on a damp cloth to provide mild abrasive action to any residual plaster.

# Important Safety Instructions

## READ AND FOLLOW ALL INSTRUCTIONS

## SAVE THESE INSTRUCTIONS

### INSTRUCTIONS PERTAINING TO A RISK OF FIRE, ELECTRIC SHOCK, OR INJURY TO PERSONS



**WARNING:** When using electrical products, basic precautions should always be followed, including the following:



**DANGER: Risk of accidental injury or drowning.** To reduce the risk of injury, do not permit children to use this unit unless they are closely supervised at all times.



**WARNING: Risk of personal injury.** To avoid injury, exercise care when entering or exiting the bath.



**WARNING: Risk of electric shock.** Do not permit electric appliances (such as a hair dryer, lamp, telephone, radio, or television) within 5' (1.5 m) of this bath.



**WARNING: The use of alcohol, drugs, or medication can greatly increase the risk of fatal hyperthermia.** Prolonged immersion in hot water may induce hyperthermia. Hyperthermia occurs when the internal temperature of the body reaches a level several degrees above the normal body temperature of 98.6°F (37°C). The symptoms of hyperthermia include an increase in the internal temperature of the body, dizziness, lethargy, drowsiness, and fainting. The effects of hyperthermia include: (a) failure to perceive heat, (b) failure to recognize the need to exit the bath, (c) unawareness of impending hazard, (d) fetal damage in pregnant women, (e) physical inability to exit the bath, and (f) unconsciousness resulting in the danger of drowning.



**WARNING: Risk of fetal injury.** Pregnant or possibly pregnant women should consult a physician before using the bath.



**WARNING: Risk of hyperthermia or drowning.** Do not use the bath immediately following strenuous exercise.



**WARNING: Risk of hyperthermia or drowning.** Water temperature in excess of 100°F (38°C) may cause injury. Test and adjust the water temperature before use.

## Important Safety Instructions (cont.)



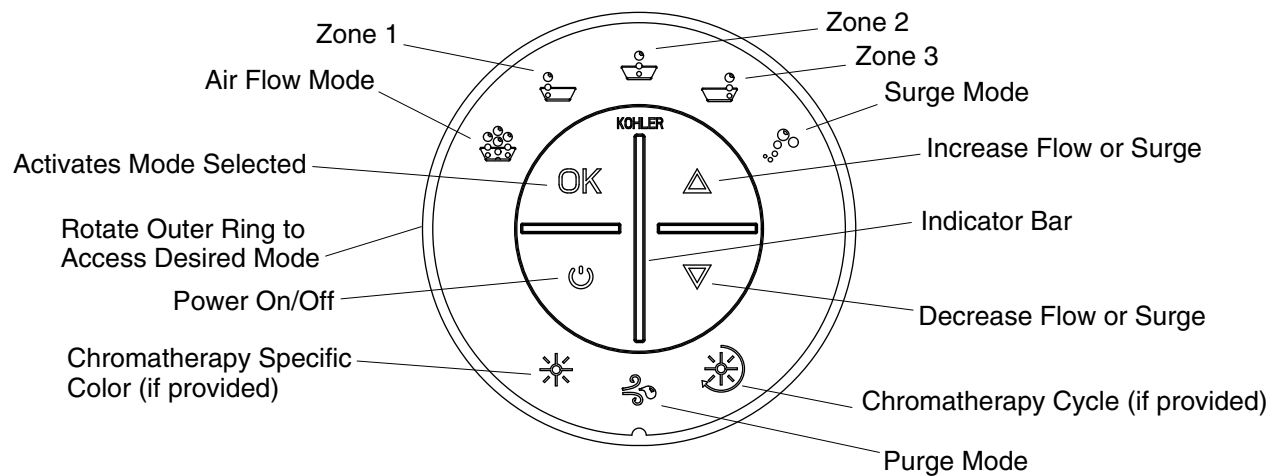
**WARNING: Risk of personal injury.** Never drop or insert any object into any opening.

Use this bath only for its intended purpose as described in this guide. Do not use attachments not recommended by Kohler Co.

The bath must be connected only to a supply circuit that is protected by a Ground-Fault Circuit-Interrupter (GFCI)\*. Such a GFCI should be provided by the installer and should be tested on a routine basis. To test the GFCI, press the test button. The GFCI should interrupt power. Press the reset button. Power should be restored. If the GFCI fails to operate in this manner, the GFCI is defective. If the GFCI interrupts power to the bath without the test button being pressed, a ground current is flowing, indicating the possibility of an electric shock. Do not use this bath. Disconnect the bath and have the problem corrected by a qualified service representative before using.

Your new KOHLER bath has been listed by Underwriter's Laboratories, ensuring safety for you and your family. This bath also conforms to rigid ANSI and IAPMO standards set within the plumbing industry.

\* Outside North America, this device may be known as a Residual Current Device (RCD).



## Operating Instructions

**NOTE:** If the unit does not function properly, please refer to the “Troubleshooting” section.

### Starting the Unit

- Fill the bath to a level at least 4” (102 mm) above the top of the airjets.
- Use your hand to test the water temperature for comfort and safety.
- Carefully enter the bath basin.
- Press the On/Off icon on the user keypad.
- If desired, adjust the air flow rate using the up or down buttons.

### Selecting Air Flow Modes

- Rotate the outer ring to select a desired mode.
- Press the “OK” icon to activate the mode.
- To turn off a mode, rotate the outer ring until the icon is flashing green and then press the “OK” icon again.
- The icon will then turn blue, indicating the mode is off.

### Stopping the Bath

- When ready, press the On/Off icon a second time to stop the air system.
- Carefully exit the bath.
- When the bath drains below the level sensors an automatic, two-minute purge cycle occurs. The air system then operates at low speed to blow any residual water out of the air harness.

### Initiating a Manual Purge Cycle (when desired)

**NOTE:** Follow these steps if you choose to manually purge residual water from the air system.

- After stopping the air system and draining the bath, rotate the ring on the user keypad to the “Purge” icon.
- When the “Purge” icon is flashing blue, press the “OK” icon once.
- The “Purge” icon flashes green and the manual purge mode begins. The air system operates at low speed to blow any residual water out of the air harness.
- After two minutes, the air system stops automatically.



## Care and Cleaning

For best results, keep the following in mind when caring for your KOHLER bath with airjets:

- Always test your cleaning solution on an inconspicuous area before applying to the entire surface.
- Wipe surfaces clean and rinse completely with water immediately after applying cleaner. Rinse and dry any overspray that lands on nearby surfaces.
- Do not allow cleaners to soak on surfaces.
- Use a soft, dampened sponge or cloth. Never use an abrasive material such as a brush or scouring pad to clean surfaces.
- The ideal cleaning technique is to rinse thoroughly and blot dry any water from the surface after each use.
- Use a soft nylon brush on slip-resistant surfaces. Be sure to use a water-soluble cleaner (dissolves 100% in water).
- **Do not use powdered cleaners unless the cleaner is fully dissolved in water.** Solid substances can block the airjets.
- **Do not use full strength bleach or ammonia cleaning solutions.** Chemically active cleaning solutions can damage the surface.
- **Do not use abrasive cleansers or solvents on airjet surfaces.** Abrasive cleaners and solvents can damage the airjet surface.

### Maintaining the Airjets

- If cleaning the airjets is necessary due to hard water deposits, wet a soft, non-abrasive cloth with white vinegar and wipe the plugged airjet holes. Immediately rinse the area with clean water to avoid long-term exposure of the vinegar to the airjet surface.
- Fill the bath with water to the top row of airjets. Drain the bath and press the purge button.

### Cleaning Your User Keypad and Remote Control

- Use a soft cloth to wipe the keypad and remote control after each use. If the surface becomes dirty, use a non-abrasive soap and warm water to clean.

For detailed cleaning information and products to consider, visit [www.kohler.com/clean](http://www.kohler.com/clean). To order Care & Cleaning information, call 1-800-456-4537.

## Warranty

### ONE-YEAR LIMITED WARRANTY

KOHLER plumbing products are warranted to be free of defects in material and workmanship for one year from date of installation.

Kohler Co. will, at its election, repair, replace or make appropriate adjustment where Kohler Co. inspection discloses any such defects occurring in normal usage within one (1) year after installation. Kohler Co. is not responsible for removal or installation costs. **Use of in-tank toilet cleaners will void the warranty.**

To obtain warranty service contact Kohler Co. either through your Dealer, Plumbing Contractor, Home Center or E-tailer, or by writing Kohler Co., Attn.: Customer Care Center, 444 Highland Drive, Kohler, WI 53044, USA, or by calling 1-800-4-KOHLER (1-800-456-4537) from within the USA and Canada, and 001-800-456-4537 from within Mexico, or visit [www.kohler.com](http://www.kohler.com) within the USA, [www.ca.kohler.com](http://www.ca.kohler.com) from within Canada, or [www.mx.kohler.com](http://www.mx.kohler.com) in Mexico.

**IMPLIED WARRANTIES INCLUDING THAT OF MERCHANTABILITY AND FITNESS FOR A PARTICULAR PURPOSE ARE EXPRESSLY LIMITED IN DURATION TO THE DURATION OF THIS WARRANTY. KOHLER CO. AND/OR SELLER DISCLAIM ANY LIABILITY FOR SPECIAL, INCIDENTAL OR CONSEQUENTIAL DAMAGES.** Some states/provinces do not allow limitations on how long an implied warranty lasts, or the exclusion or limitation of special, incidental or consequential damages, so these limitations and exclusions may not apply to you. This warranty gives you specific legal rights. You may also have other rights which vary from state/province to state/province.

**This is Kohler Co.'s exclusive written warranty.**

## Warranty

### For Mexico

KOHLER CO.

It is recommended that at the time of purchase, you verify that all accessories and components are complete in this package.

This Kohler product is warranted to be free of defects in material and workmanship for one (1) year from the date of purchase as shown on the invoice or receipt.

1. Kohler Co. will only service its commercialized products through its authorized distributors.
2. To obtain warranty service, please present the invoice and corresponding warranty.
3. Through its authorized distributors, Kohler Co. promises to repair the defective product or provide a new replacement or an equivalent model (in those cases that the model has been discontinued) when the product is beyond repair, without any charge to the consumer.
4. The time of repair will not exceed six (6) weeks commencing on the date the product is received.
5. It is recommended that the consumer save the invoice or receipt as additional protection, as it may substitute the warranty in the case that there is a discrepancy in the validity of the warranty.

#### EXCEPTIONS AND RESTRICTIONS

The Warranty will not be valid in the following cases:

1. When the product is not operated in accordance with the instructions concerning use and operation set forth in the owner's manual or installation instructions, and when the recommendations and warnings included are not observed.
2. When the product has been modified or dismantled partially or totally; or has been used in a negligent fashion and as a consequence has suffered damages attributable to the consumer, individual, or hardware not authorized by Kohler Co.
3. This warranty does not cover the damages as a result of disaster such as fire or acts of God, including flooding, earthquake, or electric storms, etc. To obtain a list of distributors in your area where you can exercise your rights under this warranty, please call 001-800-456-4537.

KOHLER CO., KOHLER, WI 53044 U.S.A.

#### IMPORTER:

INTERNACIONAL DE CERÁMICA, S.A.B. DE C.V.

AV. CARLOS PACHECO NO. 7200

CHIHUAHUA, CHIH., MEXICO C.P. 31060

TEL: 52 (14) 29-11-11

## Troubleshooting

**NOTICE:** This section is for general aid only. A Kohler Co. Authorized Service Representative or qualified electrician should correct any electrical problems. For warranty service, call 1-800-4KOHLER from within the USA and Canada, or 001-800-456-4537 from within Mexico.

**NOTE:** The product model number is printed on a label on the blower side of the bath.

**NOTE:** For service parts information, visit your product page at [www.kohler.com/serviceparts](http://www.kohler.com/serviceparts).

### Troubleshooting the Bath System

## Troubleshooting (cont.)

Symptoms	Probable Causes	Recommended Action
1. User keypad does not illuminate when Power icon is pressed or the outer ring is rotated.	A. No power to control.	A. Check wiring and connect power.
	B. Ground-Fault Circuit-Interrupter (GFCI) or Residual Current Device (RCD) tripped.	B. Reset GFCI or RCD. If it trips again, refer to "Ground-Fault Circuit-Interrupter (GFCI) or Residual Current Device (RCD) trips when bath is turned on."
	C. Wiring harness from user keypad to control is loose, disconnected or damaged.	C. Check wiring for proper connections. Replace the wiring harness if necessary.
	D. User keypad does not work.	D. Replace the user keypad.
	E. Control does not work.	E. Replace the control.
2. Ground-Fault Circuit-Interrupter (GFCI) or Residual Current Device (RCD) trips when bath is turned on.	A. Electrical harness is wet or damaged.	A. Check for wet connections. Dry the connections and repair the leak. Check for insulation or connector damage. Replace the harness if damaged.
	B. Electrical wiring to the bath junction box is wet or damaged; or the power amperage is inadequate.	B. Have a qualified electrician diagnose and correct the problem in accordance with applicable building and electrical codes; or increase the power amperage to 20 A.
	C. Electrical wiring to the bath power cord is wet or damaged.	C. Have a qualified electrician diagnose and correct the problem in accordance with applicable building and electrical codes.
	D. Blower motor is shorted internally.	D. Replace the blower motor.
	E. Control is shorted internally.	E. Replace the control.
3. User keypad is illuminated, but does not respond to icons or outer ring.	A. Control program is locked.	A. Reset GFCI or RCD.
	B. P5 plug assembly harness from user keypad to control is loose, disconnected, or damaged.	B. Check wiring for proper connections. Replace the wiring harness if necessary.
	C. User keypad does not work.	C. Replace the user keypad.
	D. Control does not work.	D. Replace the control.
4. Blower motor will not start.	A. Power cord from blower motor to control is loose, disconnected, or damaged.	A. Check wiring for proper connections.
	B. Blower motor does not work.	B. Replace the blower motor.
	C. Control does not work.	C. Replace the control.
5. Blower motor stops running and will not immediately restart. Keypad is illuminated.	A. Blower motor overheated and protection device activated.	A. Check for blockage at air inlet. Remove blockage and allow motor to cool. Refer to "User keypad is illuminated, but does not respond to icons or outer ring." Blower motor will not start.

<b>Troubleshooting (cont.)</b>		
<b>Symptoms</b>	<b>Probable Causes</b>	<b>Recommended Action</b>
6. Blower motor starts, some but not all airjets are bubbling.	A. Blower motor speed is too low.	A. Increase speed set point to blower motor.
	B. Blower air inlet is blocked.	B. Clear blower air inlet.
	C. Blower motor does not work.	C. Replace the blower motor.
	D. Blower motor discharge is blocked.	D. Clear blockage.
	E. Check valve does not work.	E. Replace the check valve.
	F. Airjets are clogged.	F. Use a small between-the-teeth dental brush and white vinegar. Dip the brush in the vinegar, brush the hole, rinse the brush in clean water, and then use the wet rinsed brush to rinse the hole.
	G. Some zones are closed.	G. Operate all zones.
7. Blower motor runs but no air bubbles are formed.	A. Blower air inlet is blocked.	A. Clean blower air inlet.
	B. Airjets are clogged.	B. Use a small between-the-teeth dental brush and white vinegar. Dip the brush in the vinegar, brush the hole, rinse the brush in clean water, and then use the wet rinsed brush to rinse the hole.
	C. Check valve does not work.	C. Replace the check valve.
	D. Blower motor does not work.	D. Replace the blower motor.
	E. Control does not work.	E. Replace the control.
8. Blower motor operates, air bubbles are formed, zone controls work, but variable speed feature does not work.	A. Blower air inlet is blocked.	A. Clear blower air inlet.
	B. Loose, disconnected, or damaged wiring harness.	B. Check wiring for proper connections. Replace the wiring harness if necessary.
	C. User keypad does not work.	C. Replace the user keypad.
	D. Blower motor does not work.	D. Replace the blower motor.
	E. Control does not work.	E. Replace the control.
9. Blower motor won't turn off when the Power icon on user keypad is pressed.	A. User keypad does not work.	A. Replace the user keypad.
	B. Loose, disconnected, or damaged wiring harness.	B. Check wiring for proper connections. Replace the wiring harness if necessary.
	C. Control does not work.	C. Replace the control.
10. A zone does not produce air bubbles but another zone operates normally.	A. Zone is not selected.	A. Select the zone according to the instructions in the "Operating Instructions" section.
	B. Butterfly valve does not work.	B. Replace the butterfly valve.
	C. Loose, disconnected, or damaged wiring harness.	C. Check wiring for proper connections. Replace the wiring harness if necessary.
	D. User keypad does not work.	D. Replace the user keypad.
	E. Control does not work.	E. Replace the control.
11. Surge mode does not work.	A. User keypad does not work.	A. Replace the user keypad.
	B. Control does not work.	B. Replace the control.
12. Water spillage or damage observed under the bath.	A. Drain or overflow leaking.	A. Repair or replace the drain assembly according to the manufacturer's instructions.
	B. Wall, deck, and/or shower door is improperly sealed.	B. Apply silicone sealant at the seams between the bath and the wall, deck, or door.

<b>Troubleshooting (cont.)</b>		
<b>Symptoms</b>	<b>Probable Causes</b>	<b>Recommended Action</b>
	<b>C.</b> Cracked piping or air channels.	<b>C.</b> Refer to the manufacturer.
<b>13.</b> Bath does not purge automatically.	<b>A.</b> Level sensor wires are disconnected.	<b>A.</b> Connect the level sensor wires.
<b>Chromatherapy (if equipped)</b>		
<b>Symptoms</b>	<b>Probable Causes</b>	<b>Recommended Action</b>
<b>14.</b> Chromatherapy lights do not work.	<b>A.</b> Loose, disconnected or damaged wiring/connections.	<b>A.</b> Check wiring for proper connections. Replace wiring if necessary.
	<b>B.</b> Control does not work.	<b>B.</b> Replace control.
<b>15.</b> Chromatherapy does not cycle.	<b>A.</b> Chromatherapy harness assembly does not work.	<b>A.</b> Replace the chromatherapy harness assembly.

# Guide d'installation et d'entretien

## Baignoire à jets d'air

### Instructions d'installation



**AVERTISSEMENT:** Lors de l'utilisation de produits électriques, toujours observer les précautions de base, notamment:



**DANGER: Risque d'électrocution.** Raccorder uniquement à un circuit protégé par un disjoncteur de fuite de terre (GFCI)\*.

Les matériaux de construction et le câblage doivent être acheminés loin du souffleur et des autres composants qui dégagent de la chaleur de l'appareil.

Installer de façon à permettre l'accès pour l'entretien.

Un connecteur à pression pour câbles marqué "Earth/Ground" (Terre/Masse) est fourni dans le compartiment de câblage. Afin de réduire les risques de choc électrique, raccorder ce connecteur à une borne de terre du panneau de service électrique ou du panneau d'alimentation avec un câble en cuivre ayant la même dimension que le conducteur du circuit qui alimente cet équipement.

Des connecteurs à pression par câble sont fournis sur l'extérieur de la boîte de jonction ou de la commande incluse dans cet appareil afin de permettre la connexion d'un conducteur de mise à la terre entre cet appareil et toutes les autres surfaces de métal avoisinantes, tel que requis par les normes locales.

Une borne de mise à la terre est incluse dans le boîtier du câblage sur place. Pour réduire les risques d'électrocution, cette borne doit être raccordée à un dispositif de mise à la terre fourni dans le panneau d'alimentation électrique, avec un conducteur ayant le même calibre que celui des conducteurs du circuit qui alimente cet équipement.

**Une mise à la terre est requise.** L'appareil doit être installé par un représentant qualifié et doit être mis à la terre.



**AVERTISSEMENT: Risque de blessures ou d'endommagement du matériel.** Toutes les instructions doivent être lues avec la plus grande attention avant de commencer l'installation, et toutes les conditions suivantes doivent être respectées.



**AVERTISSEMENT: Risque d'électrocution.** Un électricien qualifié doit effectuer toutes les connexions électriques.



**AVERTISSEMENT: Risque d'électrocution.** Déconnecter l'alimentation électrique avant d'effectuer un entretien ou une réparation.

**AVIS: Respecter tous les codes de plomberie et électriques locaux.** Installer cet appareil conformément au Code canadien de l'électricité, Partie 1.

\*Hors de l'Amérique du Nord, ce dispositif peut être connu sous le nom de dispositif à courant résiduel (RCD).

### Information sur le produit

#### Installations électriques requises

L'installation doit comprendre un disjoncteur de fuite de terre (GFCI) ou un dispositif à courant résiduel (RCD) de classe A. Le GFCI ou le RCD protège contre les dangers d'électrocution par une tension phase-terre. **Utiliser une alimentation dédiée de 220 - 240 V, 20 A, 50/60 Hz pour la baignoire.**

## Information sur le produit (cont.)

### Notices du produit



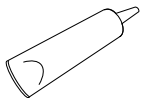
**AVERTISSEMENT: Risque de blessures ou d'endommagement du produit.** Des modifications non approuvées pourraient provoquer un fonctionnement dangereux ou affecter la performance de la baignoire. Ne pas changer l'emplacement du moteur du souffleur et ne pas effectuer d'autres modifications sur le système de baignoire sans le kit ou sans autres instructions publiées, vu que ce qui pourrait affecter la performance et le fonctionnement sans danger du produit. Kohler Co. décline toute responsabilité sous sa garantie et pour toutes blessures ou tous dommages causés par de telles modifications non autorisées. Se référer à la section "Préparer le souffleur (site à distance)" pour les exigences de déplacement du moteur du souffleur, les recommandations, et l'information de couverture de la section.

**AVIS:** Garder l'espace autour du moteur du souffleur propre et exempt de débris. S'assurer que l'espace autour du moteur du souffleur est exempt de sciure, de matériau isolant, de saleté, ou d'autres petits débris volatiles. De tels matériaux pourraient boucher l'orifice d'admission d'air du moteur du souffleur et réduire le débit d'air à travers le souffleur.

### Caractéristiques

Les composants assemblés en usine incluent un moteur de souffleur, un faisceau pneumatique, une commande, un clapet de non-retour, des valves papillon, des lumières de chromothérapie (si fournies), des faisceaux électriques, et un clavier utilisateur illuminé. Aucun montage n'est nécessaire, sauf celui du câblage électrique et de la plomberie.

### Outils et matériaux



Mastic à la silicone



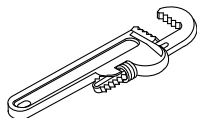
Mètre ruban



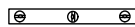
Crayon



Lunettes de protection



Clé à tuyau



Niveau

#### Plus:

- Matériaux et outils à bois classiques
- Toile de protection
- Colle mastic (optionnelle)
- Ciment\* ou mortier (optionnel)
- 2x4
- \* Ne pas utiliser de plâtre dur.

### Préparer le souffleur (installation à distance)

**AVIS:** Le moteur du souffleur et le clapet de non-retour doivent être déplacés ensemble. Ne pas déplacer l'un sans l'autre.

**REMARQUE:** Cette baignoire peut être installée telle que reçue, ou avec le moteur du souffleur et le clapet de non-retour déplacé vers un autre emplacement. Se référer aux sections appropriés dans ce manuel pour obtenir des instructions relatives à l'installation en question. Lire cette section avant de déplacer le souffleur.



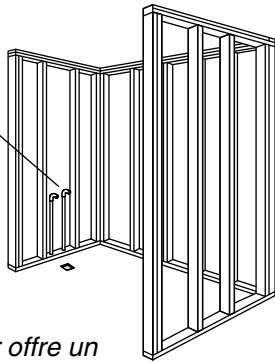
### Préparer le souffleur (installation à distance) (cont.)

- Déplacer le souffleur et le clapet de non-retour pour l'amener aussi près que possible de la baignoire, afin d'obtenir une performance maximale. Ne pas déplacer le souffleur et le clapet de non-retour à une distance de plus de 15' (4,5 m) de la baignoire.
- Positionner le souffleur à une hauteur de 1-1/2" (38 mm) au-dessus du plancher. Ne pas monter le moteur du souffleur avec sa décharge dirigée vers le haut.
- Utiliser un PVC de 1-1/2" ou une tuyauterie rigide équivalente.
- L'installation de la tuyauterie doit être conforme aux exigences de codes de plomberie et de bâtiment locaux. S'assurer que l'installation ne réduit pas le classement au feu des murs. La tuyauterie doit être supportée à des intervalles sur la longueur conformément aux codes locaux.
- S'assurer que l'emplacement du moteur du souffleur est propre et exempt de poussière ou de débris.
- Installer un panneau d'accès pour permettre l'entretien du moteur du souffleur.
- Le câble d'alimentation minimum de 18 AWG au moteur du souffleur doit être conforme à tous les codes d'électricité ou de construction applicables. S'assurer que l'installation ne réduit pas le classement au feu des murs.
- Le cordon d'alimentation doit être supporté à des intervalles sur sa longueur, conformément aux codes locaux. Les cordons d'alimentation ne doivent pas reposer sur des surfaces ou sur des planchers susceptibles aux inondations.
- Tous les matériaux nécessaires au déplacement doivent être fournis par l'installateur.
- Outils et matériaux supplémentaires dont vous avez besoin:
  - Pinces d'électricien
  - Tournevis variés
  - Clé à molette
  - Perceuse et mèches pour installer les dispositifs de fixation du souffleur.
  - Un câble à gaine 18 AWG non métallique, deux conducteurs avec terre, et avec clips de support, tel que requis.
  - Un boîtier de jonction électrique 4" (102 mm) x 2" (51 mm) avec couvercle, joint d'étanchéité statique, et vis de fixation
  - Trois serre-câbles - l'un d'entre eux doit s'adapter sur le couvercle du moteur du souffleur avec les filets National Pipe Thread (NPT) standard. Les deux autres doivent s'adapter aux orifices du nouveau boîtier de jonction.
  - Six connecteurs de fils (coinceurs à câble ou dispositifs équivalents)
  - PVC 1-1/2" ou autre tube rigide avec raccords, unions, ciment PVC (ou méthode de fixation équivalente) et des clips de support, tels que requis
  - Quatre dispositifs d'attache (comme des vis à bois à tête plate ou des dispositifs d'ancrage en béton) pour fixer le moteur du souffleur.
  - Un fil de fusion de calibre 8 en cuivre solide, 36" (914 mm)



## Alcôve

Positionner la plomberie de raccordement.



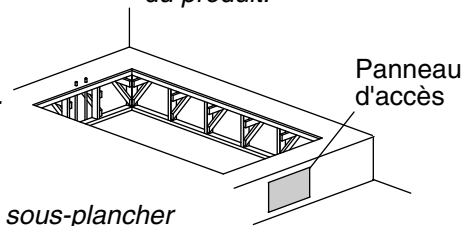
Construire la charpente à montants de 2x4 selon l'information du plan de raccordement.

Vérifier que le sous-plancher offre un support adéquat et qu'il est plat et nivelé.

## À encastrer par le dessus

Effectuer la construction selon les dimensions du produit.

Positionner la plomberie de raccordement.



Vérifier que le sous-plancher offre un support adéquat et qu'il est plat et nivelé.

## 1. Préparer le site

**AVIS:** Mesurer le produit pour la préparation du site. Noter le **numéro de modèle** se trouvant sur le souffleur, puis visiter la page des produits sur le site [www.kohler.com](http://www.kohler.com) pour obtenir de l'information supplémentaire.

**AVIS:** Fournir une ventilation adéquate et un minimum de 15 pieds cube (0,4 mètre cube) d'espace d'air à l'endroit d'installation pour le refroidissement du moteur et pour fournir assez d'air au souffleur. Ne pas installer le moteur du souffleur à une distance plus proche de 1" (25 mm) du mur ou d'autres objets.

**AVIS:** Fournir un large espace non restreint pour pouvoir accéder au souffleur. Un accès doit être prévu pour l'entretien du souffleur et des commandes. L'accès doit être situé juste à côté du souffleur

**AVIS:** Ne pas soulever la baignoire par la tuyauterie ou le souffleur, et ne pas utiliser ceux-ci comme support structurel de la baignoire. Afin d'éviter d'endommager la baignoire, soulever sur les côtés de celle-ci.

**AVIS:** Ne pas supporter le poids de charge de la baignoire par le rebord.

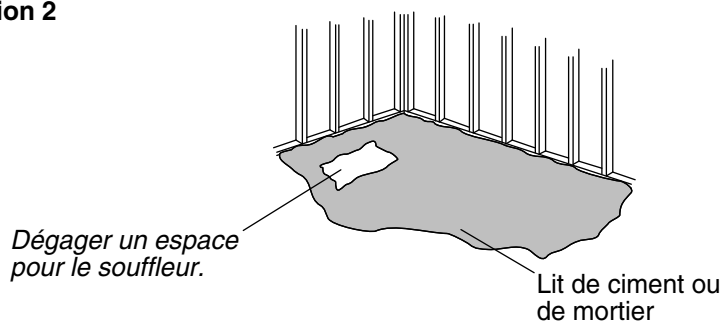
**REMARQUE:** Une installation à encastrer par le dessus, en alcôve ou en coin est possible, selon le produit choisi.

- Déballer et examiner soigneusement la nouvelle baignoire afin d'y déceler tout dommage avant d'effectuer l'installation. Si des dommages sont notés, ne pas installer la baignoire; contacter le concessionnaire.
- S'assurer que le plancher offre un support adéquat pour la baignoire et vérifier que le sous-plancher est plat et nivelé.
- Construire une charpente avec des montants de 2 x 4.
- Installer un panneau d'accès pour permettre un entretien futur de la pompe. Le panneau d'accès doit avoir une largeur de 34" (864 mm) et une hauteur de 15" (381 mm) au moins.
- Installer la plomberie de raccordement.
- Installer le drain sur la baignoire selon les instructions du fabricant du drain.
- Protéger la surface de la baignoire en plaçant une toile de protection propre dans le bas du bassin.

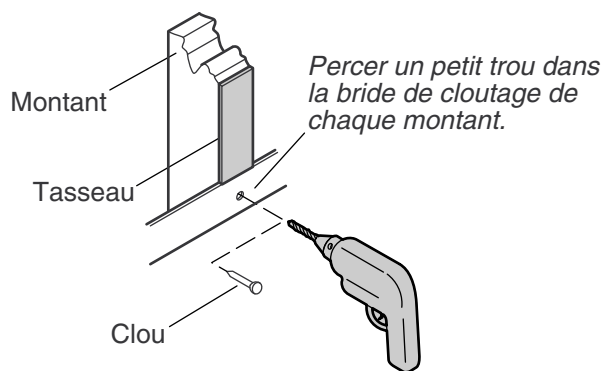
### Option 1



### Option 2



### Installation en alcôve à trois murs ou en coin



## 2. Installer la baignoire

**AVIS:** Ne pas soulever la baignoire par la tuyauterie ou le souffleur, et ne pas utiliser ceux-ci comme support structurel de la baignoire. Afin d'éviter tout endommagement de la baignoire, soulever celle-ci par les côtés.

- Si le sous-plancher n'est pas nivelé, placer des blocs de support ou des supports moulés sous la baignoire, selon les besoins.

### Option 1: Effectuer l'installation en utilisant de la colle mastic

**REMARQUE:** Certains modèles sont dotés de blocs de support; d'autres modèles ont des supports moulés.

- Appliquer une quantité suffisante de colle mastic de haute qualité sur la base des blocs de support ou des supports moulés. Avec de l'aide, lever la baignoire avec précaution et la positionner.

### Option 2: Utilisation de lit de ciment ou de mortier

**REMARQUE:** Ne pas utiliser de plâtre dur ou un mélange pour cloison sèche pour cette installation, car ces produits ne fournissent pas de scellement acceptable et durable.

- Placer la zone du bassin dans du ciment à maçonner de 1" (25 mm) à 2" (51 mm).

### Fixer les brides de cloutage en place (dispositifs en alcôve)

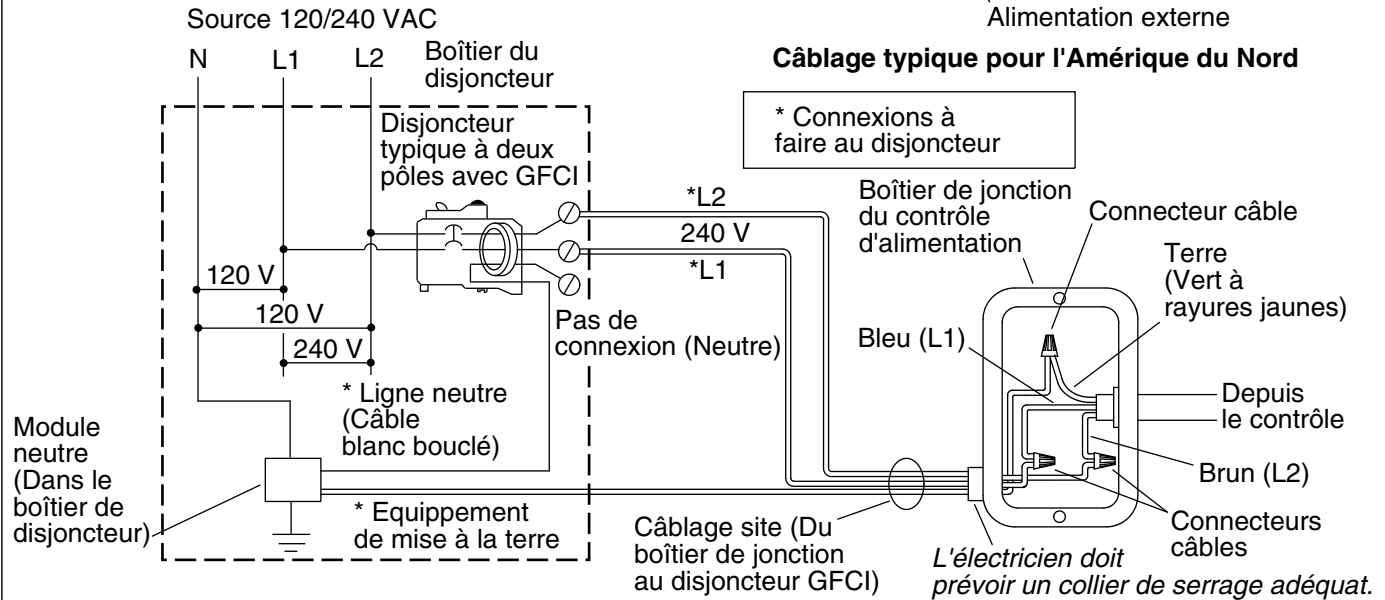
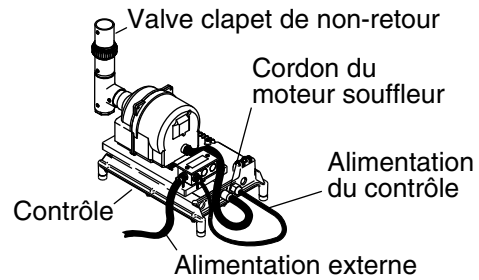
- Percer un petit trou-pilote à travers la bride de cloutage de chaque montant. Utiliser des cales selon les besoins.
- Utiliser des clous galvanisés à grande tête pour fixer la bride de cloutage sur les montants.
- Clouer des tasseaux de 1/4" (6 mm) d'épaisseur sur les montants.

## **Installer la baignoire (cont.)**

### **Installer la plomberie**

- Insérer la pièce de raccordement du drain dans le siphon. Fixer l'about du drain sur le siphon.
- Installer la vanne de robinet.
- Rechercher des fuites dans les connexions du drain.

Raccorder selon les codes nationaux et locaux.  
Des cosse d'ouverture sont localisées  
au-dessus du boîtier de jonction.



### 3. Effectuer les connexions électriques - Standard

**REMARQUE:** Le numéro de modèle du produit est imprimé sur une étiquette placée du côté souffleur de la baignoire. Cette étiquette identifie également les caractéristiques électriques du produit. **Toutes les baignoires sont équipées d'un boîtier de jonction de câblage et sont conçues pour fonctionner entre 220 V et 240 V, à 50 HZ ou à 60 Hz.**



**AVERTISSEMENT: Risque d'électrocution.** S'assurer que l'alimentation a été débranchée avant d'effectuer les procédures suivantes.

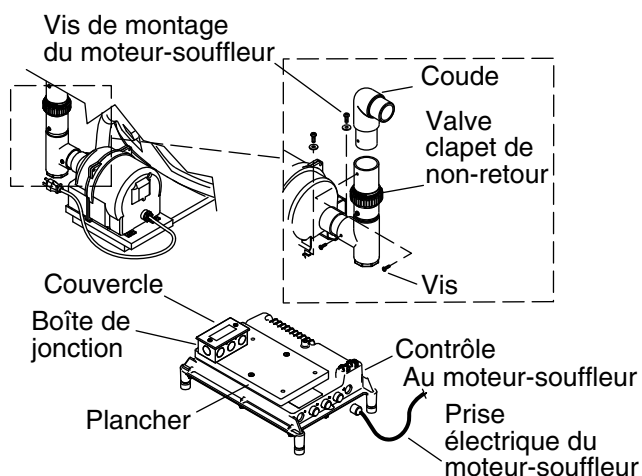


**AVERTISSEMENT: Risque d'électrocution.** Connecter le souffleur à un disjoncteur de fuite de terre (GFCI) ou à un dispositif à courant résiduel (RCD) mis à la terre de manière adéquate. Ceci fournira une mesure de protection supplémentaire contre le risque d'électrocution par tension phase-terre. Un circuit dédié de 220-240 V, 20 A, 50/60Hz est nécessaire.

**IMPORTANT!** La **charge neutre** n'est pas utilisée. Il ne devrait pas y avoir de connexion à la borne de **charge neutre** sur le disjoncteur de fuite de terre (GFCI). Le fil vert avec la bande jaune est la **terre de l'équipement** et doit être connecté sur le bus neutre dans la boîte du disjoncteur principal.

**REMARQUE:** Le câblage électrique comprend une antenne pour la télécommande optionnelle. Ne pas modifier ni endommager cette antenne pendant l'installation.

- Effectuer le branchement sur la boîte de jonction. La boîte de jonction contient des fils de couleur bleue, brune et verte à rayure jaune, ainsi qu'une cosse de mise à la terre.
- Suivre tous les codes électriques locaux. Raccorder conformément aux codes nationaux et locaux.



## 4. Déconnecter le moteur du souffleur - À distance

**AVIS:** Cette section s'applique uniquement aux installations dans lesquelles le moteur du souffleur et le clapet de non-retour sont déplacées à un nouvel emplacement.

**AVIS:** Ne pas couper la tuyauterie du souffleur pour cette installation.

**AVIS:** Le clapet de non-retour doit être déplacé avec le moteur du souffleur. Ne pas déconnecter le clapet de non-retour du té.

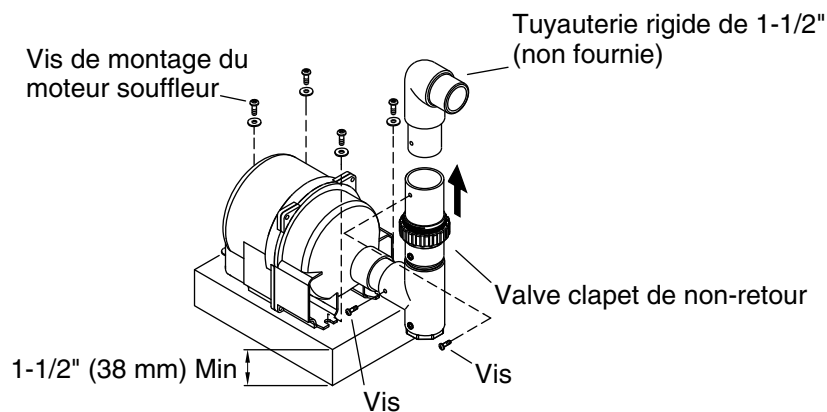
### Retirer le moteur du souffleur et le clapet de non-retour

- Déconnecter la prise électrique du moteur du souffleur de la commande.
- Retirer tous les serre-câble qui soutiennent le cordon du moteur du souffleur.
- Retirer et conserver la vis qui maintient le clapet de non-retour sur le coude PVC.
- Retirer et conserver les quatre vis de fixation de la plinthe.
- Faire glisser le moteur du souffleur et le clapet de non-retour pour les éloigner du coude, et retirer le moteur du souffleur de la baignoire.

### Préparer le site

**REMARQUE:** Se référer à la section "Préparer le souffleur (Site à distance)" pour obtenir de l'information détaillée sur le déplacement du souffleur.

- Préparer le site d'installation du moteur du souffleur. Le site doit être compris dans un rayon de 15' (4,5 m) de la baignoire.
- Installer le panneau d'accès pour l'entretien du moteur du souffleur.
- Préparer les voies d'acheminement pour la tuyauterie PVC et le nouveau câble d'alimentation du moteur du souffleur. Suivre tous les codes applicables.

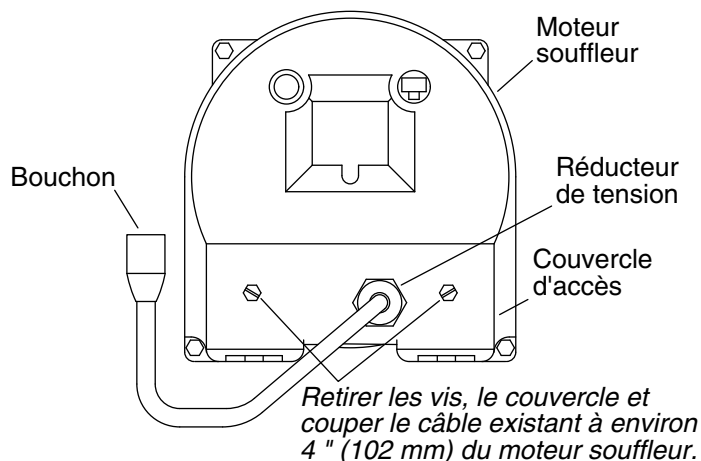


## 5. Monter le moteur du souffleur et le clapet anti-retour - À distance

**REMARQUE:** Le moteur du souffleur doit être monté horizontalement à 1-1/2" (38 mm) au-dessus du plancher. Ne pas monter le moteur du souffleur avec sa décharge dirigée vers le haut.

**REMARQUE:** Se référer à la section "Préparer le souffleur (site à distance)" pour les autres exigences relatives au déplacement du moteur du souffleur.

- Au nouvel emplacement du moteur du souffleur, installer un bloc de 1-1/2" (38 mm) (non-fourni) de haut pour supporter le moteur du souffleur.
- Utiliser le moteur du souffleur comme gabarit afin de marquer l'emplacement des quatre boulons de fixation ou vis.
- Percer quatre trous pilotes de 1/8" (3 mm) pour les vis de fixation du moteur du souffleur.
- Installer et supporter le PVC ou une autre tuyauterie rigide de 1-1/2" (non fournie) entre l'emplacement du moteur du souffleur et le faisceau pneumatique.
- Connecter la nouvelle tuyauterie au faisceau pneumatique existant sans modifier ce dernier. Aligner le nouveau tuyau et sécuriser la connexion avec du ciment PVC. **Laisser prendre le ciment PVC selon les instructions du fabricant.**
- Connecter l'ensemble du clapet de non-retour à la nouvelle tuyauterie. Aligner le nouveau tuyau avec l'ensemble du clapet de non retour et percer un trou pour la vis de fixation existante. Utiliser un mastic à la silicone ou un produit d'étanchéité équivalent au niveau des connexions et réutiliser la vis qui a été retirée auparavant. Laisser prendre le mastic selon les recommandations du fabricant.
- Positionner le moteur sur le bloc de support. Réinstaller la vis sur le clapet de non-retour.
- Fixer le moteur du souffleur sur le nouveau bloc de support avec les vis de fixation.



## 6. Finir le câble au souffleur - À distance

### Acheminer le câble d'alimentation

- Acheminer le câble 18 AWG ou un câble équivalent (deux conducteurs avec terre) entre la baignoire et le souffleur. Supporter et protéger le câble. Suivre tous les codes électriques locaux.

### Préparer le souffleur pour une installation à distance

- Desserrer le réducteur de tension de câble sur le moteur du souffleur. Repousser l'écrou sur le câble afin de fournir un espace pour le démontage du couvercle.
- Retirer et conserver les deux vis du couvercle d'accès de l'arrière du moteur du souffleur. Tout en desserrant les vis, vérifier périodiquement si le couvercle peut être réglissé sur le câble électrique.
- Lorsque le couvercle est desserré, utiliser des pinces d'électricien ou un outil équivalent pour couper le câble électrique à peu près à 4" (102 mm) de l'endroit où ce dernier entre dans le boîtier du moteur du souffleur.
- Tirer l'extrémité libre du cordon électrique à travers le couvercle, l'insertion et l'écrou de réduction de tension.
- Jeter l'écrou de réduction de tension existant et l'insertion.
- Reconnecter la prise du moteur du souffleur à la commande.
- Installer un réducteur de tension fileté NPT standard sur le couvercle du moteur du souffleur.

### Connecter le nouveau câble d'alimentation au moteur du souffleur

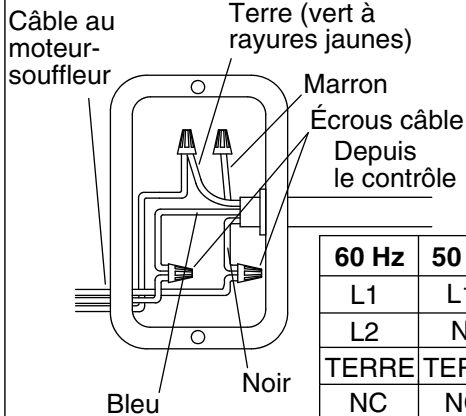
- Sur le fil conducteur en queue de cochon de 4" (102 mm) du moteur du souffleur, dénuder la gaine de câble d'environ 3" (76 mm).
- Sur le nouveau câble d'alimentation fourni par le client, dénuder la gaine du câble d'environ 2" (51 mm).
- Aux États-Unis, marquer les conducteurs blancs avec du ruban rouge ou noir tel que requis par le National Electric Code (NEC).
- Dénuder l'isolant de 3/8" (10 mm) environ des fils conducteurs en queue de cochon et des fils d'alimentation du moteur du souffleur.
- Acheminer les nouveaux fils d'alimentation à travers le couvercle d'accès du moteur du souffleur et le réducteur de tension.
- Utiliser des écrous de câble ou d'autres méthodes de terminaison approuvées pour terminer les conducteurs selon la façon suivante:
  - Connecter le fil en queue de cochon noir au conducteur L1 du câble d'alimentation.

### **Finir le câble au souffleur - À distance (cont.)**

- Connecter le fil conducteur bleu en queue de cochon au conducteur L2 ou N du câble d'alimentation.
  - Connecter le fil conducteur en queue de cochon vert avec rayures jaunes au conducteur de terre du câble d'alimentation.
- 
- Avec les deux vis, réinstaller le couvercle d'accès sur le moteur du souffleur.
  - Serrer le réducteur de tension sur le câble d'alimentation au niveau du moteur du souffleur.
  - Retirer toute poussière ou tous débris de l'emplacement du moteur du souffleur.

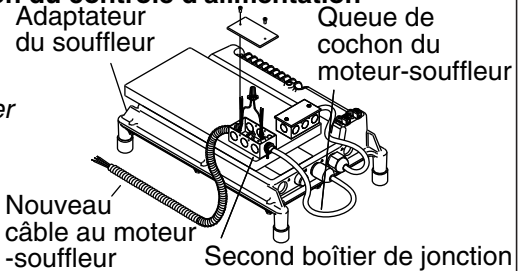


### Second boîtier de jonction



### Boîtier de jonction du contrôle d'alimentation

Dénuder la gaine du câble d'environ 3" (76 mm) du câble et de la queue de cochon du moteur-souffleur. Puis couper le quatrième conducteur brun non-utilisé à l'extrémité de la gaine du câble.



60 Hz	50 Hz	Depuis le contrôle
L1	L1	Bleu
L2	N	Noir
TERRE	TERRE	Vert avec rayures jaunes
NC	NC	Marron

Passer l'extrémité du cordon au nouveau boîtier de jonction. Ajouter un réducteur de tension.

Installer le boîtier de jonction avec le couvercle et cosse (non fournie).

## 7. Installer le cordon au niveau de la commande - À distance

### Installer le deuxième boîtier de jonction sur la commande

- Installer un deuxième boîtier de jonction avec une cosse de fusion externe, deux réducteurs de tension, et un couvercle (non fourni) sur la plaque d'adaptation du moteur du souffleur sur la commande.
- Connecter un fil de fusion solide en cuivre d'un calibre 8 de la cosse de fusion du nouveau boîtier de jonction à la cosse de fusion restante de la commande. Respecter tous les codes électriques locaux.

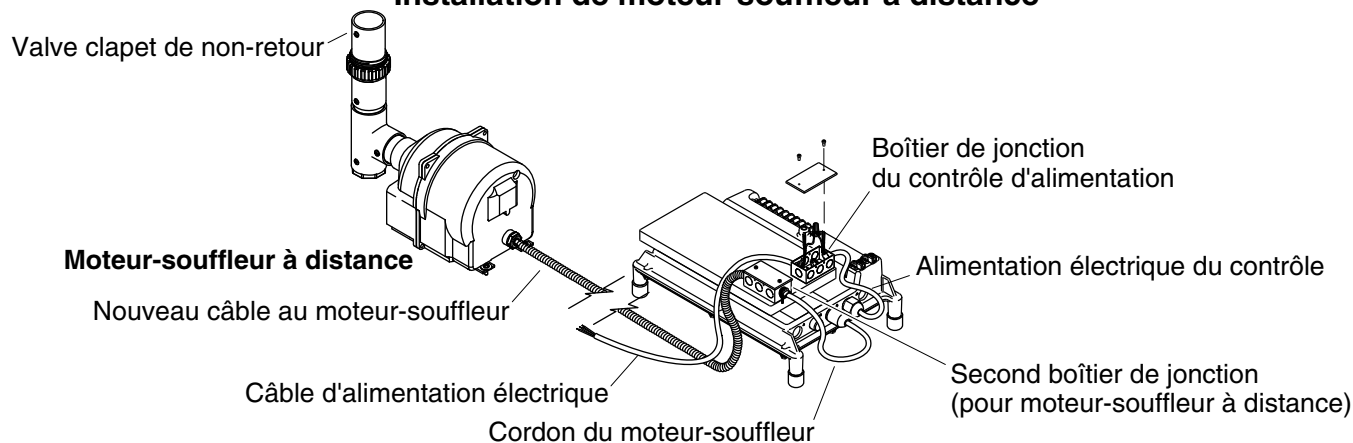
### Reconnecter le cordon d'alimentation du moteur du souffleur

- Si requis, reconnecter le cordon d'alimentation du moteur du souffleur au niveau de la commande.
- Acheminer le cordon d'alimentation du moteur du souffleur à travers un réducteur de tension sur le deuxième boîtier de jonction. Serrer le réducteur de tension.
- À l'extrémité du cordon d'alimentation sectionné, dénuder la gaine du câble d'environ 3" (76 mm).
- À l'aide d'un coin à câble, recouvrir le conducteur brun non utilisé dans la gaine du câble.
- Dénuder 3/8" (10 mm) environ d'isolant de fil des fils de commande restants.

### Reconnecter le nouveau câble d'alimentation du souffleur

- Acheminer le nouveau câble d'alimentation fourni par le client entre le souffleur et l'autre réducteur de tension sur le deuxième boîtier de jonction. Serrer le réducteur de tension.
- Dénuder la gaine du câble d'environ 3" (76 mm).
- Pour des installations aux États-Unis, marquer le conducteur blanc avec du ruban électrique rouge ou noir tel que requis par le National Electric Code (NEC).
- Dénuder l'extrémité des fils de 3/8" (10 mm) environ.
- Utiliser des dispositifs approuvés pour terminer les conducteurs comme ce qui suit:
  - Connecter le fil en queue de cochon noir au conducteur L1 du câble d'alimentation.
  - Connecter le fil conducteur bleu en queue de cochon au conducteur L2 ou N du câble d'alimentation.
  - Connecter le fil conducteur en queue de cochon vert à rayures jaunes au conducteur de mise à la masse ou de mise à la terre du câble d'alimentation.
  - Le câble brun n'est pas utilisé et doit être terminé avec un coin à câble.
- Installer le couvercle sur le nouveau boîtier de jonction.

## Installation de moteur-souffleur à distance



## 8. Effectuer les connexions électriques - À distance



**AVERTISSEMENT: Risque d'électrocution.** Afin de réduire les risques d'électrocution, connecter la commande à un disjoncteur de fuite de terre (GFCI) ou à un dispositif à courant résiduel (RCD) mis à la terre de manière adéquate. Ceci fournira une mesure de protection supplémentaire contre le risque d'électrocution par tension phase-terre. Un circuit dédié de 220-240 V, 20 A, 50/60Hz est nécessaire.



**AVERTISSEMENT: Risque d'électrocution.** S'assurer que l'alimentation a été débranchée avant d'effectuer les procédures suivantes.

- S'assurer que le cordon d'alimentation de la commande est acheminé correctement au boîtier de jonction d'alimentation de la commande. Le cordon d'alimentation de la commande comprend un fil brun (Ligne 1), un fil bleu (Ligne 2), et un fil vert à rayures jaunes (masse ou terre).
- Installer un réducteur de tension (non fourni) pour le câble d'alimentation sur le boîtier de jonction d'alimentation de la commande.
- Acheminer le câble d'alimentation au boîtier de jonction du contrôle.
- Tel que requis, dénuder la gaine et l'isolant des deux câbles pour effectuer les connexions.
- Pour des installations aux États-Unis, marquer tout conducteur blanc avec du ruban rouge ou noir tel que requis par la norme NEC.
- Effectuer le branchement sur le boîtier de jonction de l'alimentation de commande.
- Fournir un conducteur séparé de mise à la terre ou à la masse de l'équipement à la cosse de terre/masse de secours sur le boîtier de jonction d'alimentation de commande. Le conducteur **ne peut pas** être raccordé à un autre conducteur d'alimentation électrique. Suivre tous les codes électriques locaux.
- Raccorder conformément aux codes nationaux et locaux.
- Nettoyer la surface de toute poussière et de tous débris.
- Tous les faisceaux de câblage ont été précâblés en usine. S'assurer que tous les fils sont bien serrés.

**REMARQUE:** Le faisceau de câblage comprend une antenne pour la télécommande optionnelle. Ne pas modifier ni endommager cette antenne pendant l'installation.

## 9. Terminer l'installation

### Tester le fonctionnement de la baignoire

- Remplir la baignoire à un niveau d'eau se trouvant à au moins 4" (102 mm) au-dessus du haut du jet le plus élevé.

### Terminer l'installation (cont.)

- Faire fonctionner la baignoire pendant 5 minutes et s'assurer qu'aucun des raccords des tuyaux de la baignoire ne présente de fuites. Rechercher des fuites le long de l'avant et des côtés de la baignoire, et à l'arrière de celle-ci.
- Pour obtenir de l'information supplémentaire sur le fonctionnement de la baignoire, se reporter à la rubrique "Instructions d'utilisation".

### Terminer l'installation

- Installer le panneau mural hydro-résistant, ainsi que tous les matériaux du mur fini, de la plate-forme, et du plancher.
- Appliquer un mastic à la silicone pour sceller toutes les zones où la baignoire et le mur fini ou la plate-forme entrent en contact.
- Installer la garniture de robinet.

### Nettoyer après l'installation

- Lors du nettoyage après l'installation, **ne pas utiliser de nettoyeurs abrasifs**, vu que ceux-ci risqueraient de rayer et d'abîmer la surface de la baignoire. Utiliser de l'eau chaude et un détergent liquide pour nettoyer la surface de la baignoire.
- Enlever les taches résistantes ou la peinture avec de l'essence de térébenthine ou un diluant pour peinture. **Ne pas laisser de nettoyeurs à base de distillats de pétrole rester en contact avec les surfaces de la baignoire pendant une longue période.** Retirer les résidus de plâtre en raclant avec précaution avec un bord en bois. Ne pas utiliser de grattoirs en métal, de brosses métalliques ou d'autres outils en métal. Utiliser un détergent en poudre sur un chiffon humide pour fournir une action abrasive légère sur les résidus de plâtre.

## Instructions Importantes sur la sécurité

### LIRE ET SUIVRE TOUTES LES INSTRUCTIONS

### CONSERVER CES INSTRUCTIONS

#### INSTRUCTIONS RELATIVES AUX RISQUES D'INCENDIE, D'ÉLECTROCUTION OU DE BLESSURES CORPORELLES



**AVERTISSEMENT:** Lors de l'utilisation de produits électriques, toujours observer les précautions de base, notamment:



**DANGER:** Risque de blessures ou de noyade accidentelles Afin de réduire les risques de blessures, ne jamais permettre à un enfant d'utiliser cet appareil sans surveillance.



**AVERTISSEMENT:** Risque de blessures. Pour éviter les blessures corporelles, entrer et sortir avec précaution de la baignoire.



**AVERTISSEMENT:** Risque d'électrocution. Ne pas amener les appareils électriques (tels que des sèche-cheveux, des lampes, des téléphones, des radios ou des télévisions) dans un rayon de 5' (1,5 m) de cette baignoire.



**AVERTISSEMENT:** La consommation d'alcool, de drogues ou de médicaments peut augmenter considérablement le risque fatal d'hyperthermie. Une immersion prolongée dans l'eau chaude peut provoquer une hyperthermie. Une hyperthermie a lieu lorsque la température corporelle interne atteint un niveau dépassant de plusieurs degrés la température corporelle normale de 98,6°F (37°C). Les symptômes d'hyperthermie comprennent une hausse de la température corporelle interne, les étourdissements, une léthargie, une somnolence et les évanouissements. Les effets de l'hyperthermie comprennent: (a) défaut de percevoir la chaleur, (b) défaut de s'apercevoir du besoin

## Instructions Importantes sur la sécurité (cont.)

de sortir de la baignoire, (c) incapacité de reconnaître le danger, (d) dommages au fœtus dans le cas des femmes enceintes, (e) incapacité physique de sortir de la baignoire et (f) inconscience et danger conséquent de noyade.



**AVERTISSEMENT: Risque de préjudice corporel au fœtus.** Les femmes enceintes ou qui pourraient être enceintes doivent consulter un médecin avant d'utiliser la baignoire.



**AVERTISSEMENT: Risque d'hyperthermie ou de noyade.** Ne pas utiliser la baignoire immédiatement après des exercices physiques rigoureux.



**AVERTISSEMENT: Risque d'hyperthermie ou de noyade.** Une température d'eau supérieure à 100°F (38°C) peut causer des traumatismes. Vérifier et régler la température de l'eau avant utilisation.



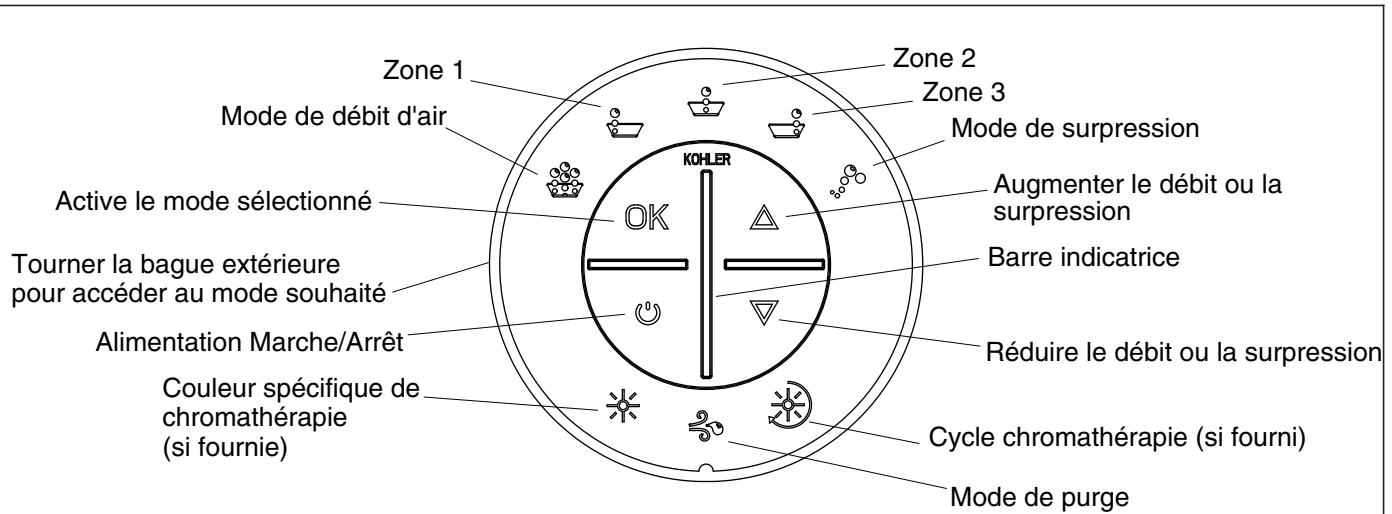
**AVERTISSEMENT: Risque de blessures.** Ne jamais faire tomber ou insérer un objet quelconque dans les ouvertures.

Utiliser cette baignoire uniquement aux fins décrites dans ce guide. Ne pas utiliser de dispositifs d'attache non recommandés par Kohler Co.

La baignoire doit être raccordée uniquement à un circuit d'alimentation qui est protégé par un disjoncteur de fuite de terre (GFCI)\*. L'installateur doit fournir un disjoncteur de fuite de terre de ce type et celui-ci doit être inspecté régulièrement. Pour inspecter le disjoncteur de fuite de terre, appuyer sur le bouton d'essai. Le disjoncteur de fuite de terre doit couper le courant. Appuyer sur le bouton de réinitialisation. L'alimentation devrait avoir été restaurée. Si le disjoncteur de fuite de terre ne fonctionne pas de cette manière, le disjoncteur est défectueux. Si le disjoncteur de fuite de terre interrompt l'alimentation de courant vers la baignoire sans que l'on ait appuyé sur le bouton d'essai, ceci indique qu'un courant à la terre est en train de circuler, et, par conséquent, la possibilité d'un choc électrique. Ne pas utiliser cette baignoire. Débrancher la baignoire et demander à un technicien qualifié de résoudre le problème avant d'utiliser celle-ci.

Votre nouvelle baignoire KOHLER a été homologuée par l'Underwriter's Laboratories, assurant ainsi votre sécurité et celle de votre famille. Cette baignoire est également conforme aux normes ANSI et IAPMO établies pour l'industrie de la plomberie.

\* Hors de l'Amérique du Nord, ce dispositif peut être connu sous le nom de Dispositif différentiel à courant résiduel (RCD).



## Instructions d'utilisation

**REMARQUE:** Si l'appareil ne fonctionne pas correctement, consulter la section "Dépannage".

### Démarrer l'appareil

- Remplir la baignoire à au moins 4" (102 mm) au-dessus du dessus des jets d'air.
- Utiliser votre main pour tester la température de l'eau pour le confort et la sécurité.
- Entrer délicatement dans la cuve de la baignoire.
- Appuyer sur l'icône Marche/Arrêt du clavier utilisateur.
- Si souhaité, ajuster le débit d'air en utilisant les boutons vers le haut ou vers le bas.

### Sélectionner les modes de débit d'air

- Tourner la bague extérieure pour sélectionner un mode souhaité.
- Appuyer sur l'icône "OK" pour activer ce mode.
- Pour arrêter un mode, tourner la bague extérieure jusqu'à ce que l'icône clignote en vert, puis appuyez de nouveau sur l'icône "OK".
- L'icône devient bleue pour indiquer que le mode est désactivé.

### Arrêter la baignoire

- Lorsque prêt, appuyer de nouveau sur l'icône Marche/Arrêt pour arrêter le système d'air.
- Sortir de la baignoire avec précaution.
- Lorsque la baignoire se vide au-dessous des capteurs de niveau, le cycle de purge automatique de deux minutes se déclenche. Le système d'air fonctionne à une vitesse lente pour évacuer toute eau résiduelle du faisceau d'air.

### Démarrer un cycle de purge manuelle (lorsque souhaité)

**REMARQUE:** Suivre ces étapes si l'on souhaite effectuer une purge manuelle de l'eau résiduelle du système d'air.

- Après l'arrêt du système d'air et la vidange de la baignoire, tourner l'anneau sur le clavier jusqu'à l'icône "Purge".
- Lorsque l'icône "Purge" clignote en bleu, appuyer une fois sur l'icône "OK".
- L'icône "Purge" clignote en vert et le mode de purge manuelle est engagé. Le système d'air fonctionne à une vitesse lente pour évacuer toute eau résiduelle du faisceau d'air.

## Instructions d'utilisation (cont.)

- Au bout de deux minutes, le système d'air s'arrête automatiquement.

## Entretien et nettoyage

Pour obtenir les meilleurs résultats possibles, tenir compte de ce qui suit lors de l'entretien de votre produit KOHLER avec jets d'air:

- Toujours tester la solution de nettoyage sur une surface non visible avant de l'appliquer sur l'ensemble de la surface.
- Essuyer les surfaces et rincer complètement avec de l'eau immédiatement après l'application du nettoyage. Rincer et sécher tout éclaboussement sur les surfaces avoisinantes.
- Ne pas laisser les nettoyeurs tremper sur les surfaces.
- Utiliser une éponge ou un chiffon doux et humide. Ne jamais utiliser de matériau abrasif tel qu'une brosse ou une éponge à récurer pour nettoyer les surfaces.
- La technique idéale de nettoyage est de bien rincer et de sécher toute eau de la surface après chaque usage.
- Utiliser une brosse douce en nylon sur les surfaces anti-dérapantes. S'assurer d'utiliser un nettoyant hydrosoluble (qui se dissout à 100% dans l'eau).
- **Ne pas utiliser d'agents nettoyeurs en poudre, sauf si ceux-ci sont complètement dilués dans l'eau.** Des substances solides peuvent obstruer les jets d'air.
- **Ne pas utiliser de solutions de nettoyage avec eau de Javel ou ammoniacale à concentration intégrale.** Les solutions de nettoyage à agents chimiques actifs peuvent endommager la surface.
- **Ne pas utiliser de nettoyeurs abrasifs ou de solvants sur les surfaces des jets d'air.** Les produits nettoyeurs abrasifs et solvants peuvent endommager la surface des jets d'air.

### Maintenance des jets d'air

- S'il est nécessaire de nettoyer les jets d'air en raison de dépôts d'eau dure, mouiller un chiffon doux, non abrasif, avec du vinaigre blanc et essuyer les orifices des jets d'air bouchés. Rincer immédiatement la surface avec de l'eau propre afin d'éviter une exposition à long terme du vinaigre à la surface des jets d'air.
- Remplir la baignoire avec de l'eau jusqu'à la rangée supérieure des jets d'air. Vidanger la baignoire et appuyer sur le bouton de purge.

### Nettoyer le clavier utilisateur et la télécommande

- Utiliser un chiffon doux pour essuyer le clavier et la télécommande après chaque usage. Si la surface devient sale, utiliser un savon non-abrasif et de l'eau tiède pour le nettoyage.

Pour obtenir des informations détaillées sur le nettoyage et les produits à considérer, consulter le site [www.kohler.com/clean](http://www.kohler.com/clean). Pour commander des informations sur l'entretien & le nettoyage, appeler le 1-800-456-4537.

## Garantie

### GARANTIE LIMITÉE D'UN AN

Les produits de plomberie KOHLER sont garantis contre tout vice de matériau et de fabrication pendant un an à partir de la date de l'installation.

Si un vice est découvert au cours d'une utilisation normale, Kohler Co. choisira, à sa discrétion, la réparation, le remplacement ou la rectification appropriée après inspection desdits vices par Kohler Co. pendant un (1) an à partir de la date d'installation. Kohler Co. n'est pas responsable des frais d'enlèvement ou d'installation. **L'utilisation de nettoyeurs à l'intérieur du réservoir annule la garantie.**

Pour obtenir le service de garantie, contacter Kohler Co., par l'intermédiaire du vendeur, plombier, centre de rénovation ou revendeur par internet, ou bien par écrit à l'adresse suivante Kohler Co., Attn.: Customer Care Center, 444 Highland Drive, Kohler, WI 53044, USA, ou appeler le 1-800-4-KOHLER (1-800-456-4537) à partir des É.-U. et du Canada, et le 001-800-456-4537 à partir du Mexique, ou consulter le site [www.kohler.com](http://www.kohler.com) aux



## Garantie (cont.)

É.-U., [www.ca.kohler.com](http://www.ca.kohler.com) à partir du Canada, ou [www.mx.kohler.com](http://www.mx.kohler.com) au Mexique.

**LES GARANTIES TACITES, Y COMPRIS CELLES DE COMMERCIALITÉ ET D'ADAPTATION À UN USAGE PARTICULIER, SONT EXPRESSÉMENT LIMITÉE À LA DURÉE DE LA PRÉSENTE GARANTIE. KOHLER CO. ET/OU LE REVENDEUR DÉCLINENT TOUTE RESPONSABILITÉ CONTRE LES DOMMAGES PARTICULIERS, ACCESSOIRES OU INDIRECTS.** Certains états et provinces ne permettent pas de limite sur la durée de la garantie tacite, ni l'exclusion ou la limite des dommages particuliers, accessoires ou indirects, et, par conséquent, lesdites limites et exclusions peuvent ne pas s'appliquer à votre cas. Cette garantie vous donne des droits juridiques particuliers. Vous pouvez également avoir d'autres droits qui varient d'un état ou d'une province à l'autre.

**Ceci constitue la garantie écrite exclusive de Kohler Co.**

## Dépannage

**AVIS:** Cette section est seulement destinée à une aide générale. Un représentant du service agréé Kohler Co. ou un électricien qualifié doit rectifier tous les problèmes électriques. Pour un service de garantie, appeler le 1-800-4KOHLER à partir des É.-U. et du Canada, ou le 001-800-456-4537 à partir du Mexique.

**REMARQUE:** Le numéro de modèle du produit est imprimé sur une étiquette placée du côté souffleur de la baignoire.

**REMARQUE:** Pour obtenir de l'information sur les pièces de rechange, visitez votre page de produits sur le site [www.kohler.com/serviceparts](http://www.kohler.com/serviceparts).

### Dépannage du système de baignoire

Symptômes	Causes probables	Action recommandée
1. Le clavier utilisateur ne s'allume pas quand on appuie sur l'icône Marche/Arrêt ou lorsque l'on tourne la bague extérieure.	A. Aucune alimentation à la commande.	A. Vérifier le câblage et connecter l'alimentation électrique.
	B. Disjoncteur de fuite de terre (GFCI) ou dispositif à courant résiduel (RCD) déclenché.	B. Réinitialiser le GFCI ou le RCD. Si ceci se reproduit, se référer à la section "Le disjoncteur de fuite de terre (GFCI) ou le dispositif à courant résiduel (RCD) se déclenche lorsque la baignoire est en marche".
	C. Le faisceau de câblage entre le clavier utilisateur et la commande est desserré, débranché ou endommagé.	C. Inspecter le câblage et vérifier que les connexions sont adéquates. Remplacer le faisceau de câblage si nécessaire.
	D. Le clavier utilisateur ne fonctionne pas.	D. Remplacer le clavier utilisateur.
	E. La commande ne fonctionne pas.	E. Remplacer la commande.

## Dépannage (cont.)

Symptômes	Causes probables	Action recommandée
2. Le disjoncteur de fuite de terre (GFCI) ou l'appareil à courant résiduel (RCD) se déclenche lorsque la baignoire est en marche.	A. Le faisceau électrique est mouillé ou endommagé.	A. Rechercher des connexions mouillées. Sécher les connexions et réparer la fuite. Rechercher des dommages de matériau isolant ou de connecteurs. Remplacer le faisceau s'il est endommagé.
	B. Le câblage électrique vers le boîtier de jonction de la baignoire est mouillé ou endommagé; ou l'intensité de courant électrique n'est pas adéquate.	B. Demander à un électricien qualifié de diagnostiquer et de rectifier le problème conformément aux codes du bâtiment et d'électricité en vigueur ou d'augmenter l'intensité de courant électrique à 20 A.
	C. Le câblage électrique au cordon d'alimentation de la baignoire est mouillé ou endommagé.	C. Demander à un électricien qualifié de diagnostiquer et de rectifier le problème conformément aux codes du bâtiment et d'électricité en vigueur.
	D. Le moteur du souffleur est court-circuité au niveau interne.	D. Remplacer le moteur du souffleur.
	E. La commande est court-circuitée au niveau interne.	E. Remplacer la commande.
3. Le clavier utilisateur est illuminé, mais il ne répond pas aux icônes ou à la bague extérieure.	A. Le programme de commande est verrouillé.	A. Réinitialiser le GFCI ou le RCD.
	B. Le faisceau de l'ensemble de la fiche P5 entre le clavier utilisateur et la commande est desserré, débranché ou endommagé.	B. Inspecter le câblage et vérifier que les connexions sont adéquates. Remplacer le faisceau de câblage si nécessaire.
	C. Le clavier utilisateur ne fonctionne pas.	C. Remplacer le clavier utilisateur.
	D. La commande ne fonctionne pas.	D. Remplacer la commande.
4. Le moteur du souffleur ne démarre pas/ne s'arrête pas.	A. Le cordon d'alimentation entre le moteur du souffleur et la commande est desserré, déconnecté ou endommagé.	A. Inspecter le câblage et vérifier que les connexions sont adéquates.
	B. Le moteur du souffleur ne fonctionne pas.	B. Remplacer le moteur du souffleur.
	C. La commande ne fonctionne pas.	C. Remplacer la commande.
5. Le moteur du souffleur s'arrête de fonctionner et ne redémarre pas immédiatement. Le clavier est illuminé.	A. Moteur de souffleur surchauffé et système de protection activé.	A. Rechercher une obstruction au niveau de l'orifice d'admission d'air. Éliminer l'obstruction et laisser le moteur se refroidir. Se référer à la section "Le clavier utilisateur est illuminé, mais il ne répond pas aux icônes ou à la bague extérieure. Le moteur du souffleur ne démarre pas".



## Dépannage (cont.)

Symptômes	Causes probables	Action recommandée
6. Le moteur du souffleur démarre, mais certains jets d'airs n'émettent pas de bulles.	A. La vitesse du moteur du souffleur est trop basse.	A. Augmenter le point de consigne de la vitesse vers le moteur du souffleur.
	B. L'orifice d'admission d'air du souffleur est obstrué.	B. Nettoyer l'orifice d'admission d'air du souffleur.
	C. Le moteur du souffleur ne fonctionne pas.	C. Remplacer le moteur du souffleur.
	D. L'orifice de sortie du moteur du souffleur est obstrué.	D. Dégager l'obstruction.
	E. Le clapet de non-retour ne fonctionne pas.	E. Remplacer le clapet de non-retour.
	F. Les jets d'air sont bloqués.	F. Utiliser une petite brosse de nettoyage entre les dents et du vinaigre blanc. Tremper la brosse dans le vinaigre, broser l'orifice, rincer la brosse à l'eau propre, puis utiliser la brosse mouillée et rincée pour rincer l'orifice.
	G. Certaines zones sont fermées.	G. Faire fonctionner toutes les zones.
7. Le moteur du souffleur fonctionne mais aucune bulle d'air ne se forme.	A. L'orifice d'admission d'air du souffleur est obstrué.	A. Nettoyer l'orifice d'admission d'air du souffleur.
	B. Les jets d'air sont bloqués.	B. Utiliser une petite brosse de nettoyage entre les dents et du vinaigre blanc. Tremper la brosse dans le vinaigre, broser l'orifice, rincer la brosse à l'eau propre, puis utiliser la brosse mouillée et rincée pour rincer l'orifice.
	C. Le clapet de non-retour ne fonctionne pas.	C. Remplacer le clapet de non-retour.
	D. Le moteur du souffleur ne fonctionne pas.	D. Remplacer le moteur du souffleur.
	E. La commande ne fonctionne pas.	E. Remplacer la commande.
8. Le moteur du souffleur fonctionne, des bulles d'air se forment, les commandes de zones fonctionnent, mais la fonction de vitesse variable ne fonctionne pas.	A. L'orifice d'admission d'air du souffleur est obstrué.	A. Dégager l'orifice d'admission d'air du souffleur.
	B. Le câblage ou les connexions sont desserrés, déconnectés ou endommagés.	B. Inspecter le câblage et vérifier que les connexions sont adéquates. Remplacer le faisceau de câblage si nécessaire.
	C. Le clavier utilisateur ne fonctionne pas.	C. Remplacer le clavier utilisateur.
	D. Le moteur du souffleur ne fonctionne pas.	D. Remplacer le moteur du souffleur.
	E. La commande ne fonctionne pas.	E. Remplacer la commande.
9. Le moteur du souffleur ne s'arrête pas lorsque l'on appuie sur l'icône Marche/Arrêt du clavier utilisateur.	A. Le clavier utilisateur ne fonctionne pas.	A. Remplacer le clavier utilisateur.
	B. Le câblage ou les connexions sont desserrés, déconnectés ou endommagés.	B. Inspecter le câblage et vérifier que les connexions sont adéquates. Remplacer le faisceau de câblage si nécessaire.
	C. La commande ne fonctionne pas.	C. Remplacer la commande.

<b>Dépannage (cont.)</b>		
<b>Symptômes</b>	<b>Causes probables</b>	<b>Action recommandée</b>
10. Une zone ne produit pas de bulles d'air, alors qu'une autre zone fonctionne normalement.	A. La zone n'est pas sélectionnée.	A. Sélectionner la zone selon les instructions de la section "Instructions de fonctionnement".
	B. La valve papillon ne fonctionne pas.	B. Remplacer la vanne papillon.
	C. Le câblage ou les connexions sont desserrés, déconnectés ou endommagés.	C. Inspecter le câblage et vérifier que les connexions sont adéquates. Remplacer le faisceau de câblage si nécessaire.
	D. Le clavier utilisateur ne fonctionne pas.	D. Remplacer le clavier utilisateur.
	E. La commande ne fonctionne pas.	E. Remplacer la commande.
11. Le mode de surpression ne fonctionne pas.	A. Le clavier utilisateur ne fonctionne pas.	A. Remplacer le clavier utilisateur.
	B. La commande ne fonctionne pas.	B. Remplacer la commande.
12. Déversement d'eau ou endommagement constaté sous la baignoire.	A. Fuite du drain ou du trop-plein.	A. Réparer ou remplacer l'ensemble du drain selon les instructions du fabricant.
	B. Le mur, le comptoir et/ou la porte de la douche ne sont pas entièrement étanches.	B. Appliquer du mastic d'étanchéité à la silicone entre la baignoire et le mur, le comptoir ou la porte.
	C. Tuyauterie ou conduits pneumatiques fissurés.	C. Consulter le fabricant.
13. La baignoire ne se purge pas automatiquement.	A. Les fils du capteur de niveau sont déconnectés.	A. Connecter les fils du capteur de niveau.
<b>Chromothérapie (le cas échéant)</b>		
<b>Symptômes</b>	<b>Causes probables</b>	<b>Action recommandée</b>
14. Les lampes de chromothérapie ne fonctionnent pas.	A. Le câblage ou les connexions sont desserrés, déconnectés ou endommagés.	A. Inspecter le câblage et vérifier que les connexions sont adéquates. Remplacer le câblage si nécessaire.
	B. La commande ne fonctionne pas.	B. Remplacer la commande.
15. La chromothérapie n'effectue pas de cycle.	A. Le faisceau de chromothérapie ne fonctionne pas.	A. Remplacer le faisceau de chromothérapie.

# Guía de instalación y cuidado

## Bañera con jets de aire

### Instrucciones de instalación



**ADVERTENCIA:** Al usar aparatos eléctricos, siga siempre las precauciones básicas, incluyendo las siguientes:



**PELIGRO: Riesgo de descarga eléctrica.** Conecte sólo a un circuito protegido por un interruptor de circuito con pérdida a tierra (GFCI)\*.

El material de construcción y el cableado se deben colocar lejos del cuerpo del soplador y de otros componentes que producen calor.

Instale de manera que se permita el acceso para dar servicio.

El compartimiento de cables incluye un conector de presión marcado "Earth/Ground" (Tierra). Para reducir el riesgo de sacudida eléctrica, conecte este conector al terminal de tierra de su tablero eléctrico o panel de suministro eléctrico con un cable de cobre del mismo tamaño que los conductores del circuito que alimentan este equipo.

En el exterior de la caja de empalmes o control de esta unidad se incluye un conector de presión para permitir la conexión de un conductor de puesta a tierra entre esta unidad y todo el metal expuesto en las proximidades, tal como se requiera para cumplir con las normas locales.

El compartimiento de cables tiene un terminal de conexión a tierra para el equipo. Para reducir el riesgo de sacudida eléctrica, este terminal se debe conectar a la conexión de tierra provista en el panel de suministro eléctrico con un conductor del mismo tamaño que los conductores del circuito que alimentan este equipo.

**La conexión a tierra es un requisito.** Un representante de servicio autorizado debe instalar esta unidad y conectarla a tierra.



**ADVERTENCIA: Riesgo de lesiones personales o daños a la propiedad.** Lea atentamente todas las instrucciones antes de comenzar la instalación, incluyendo los requisitos detallados a continuación.



**ADVERTENCIA: Riesgo de descarga eléctrica.** Un electricista calificado debe realizar todas las conexiones eléctricas.



**ADVERTENCIA: Riesgo de descarga eléctrica.** Desconecte el suministro eléctrico antes de dar servicio.

**AVISO: Cumpla con todos los códigos locales de electricidad y de plomería.** En Canadá, instale la unidad conforme al Código Eléctrico Canadiense, Parte 1.

\*Fuera de los Estados Unidos, este dispositivo se conoce como un dispositivo de corriente residual (RCD, por sus siglas en inglés).

### Información sobre el producto

#### Requisitos eléctricos

La instalación debe contar con un interruptor de circuito con pérdida a tierra (GFCI) de Clase A o dispositivo de corriente residual (RCD). El GFCI o RCD protege contra el peligro de sacudida eléctrica de línea a tierra. **Utilice un circuito de servicio eléctrico dedicado de 220 - 240 V, 20 A, 50/60 Hz para la bañera.**

## Información sobre el producto (cont.)

### Avisos sobre el producto



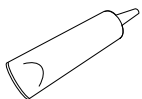
**ADVERTENCIA: Riesgo de lesiones personales o daños a la propiedad.** Las modificaciones no autorizadas pueden causar un funcionamiento peligroso o afectar el rendimiento de la bañera. No cambie la ubicación del motor soplador, ni haga ninguna otra modificación en el sistema de la bañera si no dispone de un kit u otras instrucciones publicadas, ya que esto podría afectar negativamente el rendimiento y funcionamiento seguro del producto. Kohler Co. no será responsable bajo su garantía o de ninguna otra forma, de lesiones personales o daños provocados por modificaciones no autorizadas. Consulte la sección "Prepare el soplador (lugar remoto)" para las recomendaciones y los requisitos de la ubicación del motor soplador así como la información cubierta en cada sección.

**AVISO:** Mantenga limpia y libre de suciedad el área alrededor del motor soplador. Asegúrese de que el área alrededor del motor soplador esté libre de aserrín, material aislante, tierra u otras partículas sueltas pequeñas. Dichos materiales pueden tapan la entrada de aire del motor soplador y reducir el flujo de aire a través del soplador.

### Características

Los componentes ensamblados en fábrica incluyen un motor soplador, tubería de aire, control, válvula de retención, válvulas de mariposa, luces de cromoterapia (si se incluyen), arnés eléctrico y teclado iluminado. Aparte del cableado eléctrico y la instalación de plomería, no se requiere ningún otro ensamble.

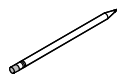
### Herramientas y materiales



Sellador de silicona



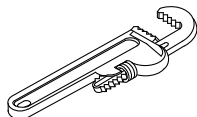
Cinta para medir



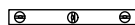
Lápiz



Lentes de seguridad



Llave para tubos



Nivel

#### Más:

- Herramientas y materiales convencionales de carpintería
- Lona
- Adhesivo de construcción (opcional)
- Cemento\* o mortero (opcional)
- Postes de madera de 2x4
- \* No utilice cemento de yeso.

### Prepare el soplador (lugar remoto)

**AVISO:** El motor soplador y la válvula de retención se deben re-ubicar juntos. No cambie la ubicación de uno sin el otro.

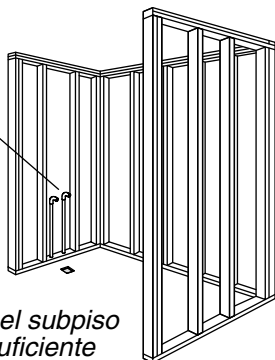
**NOTA:** Esta bañera se puede instalar como se recibió o con el motor soplador y la válvula de retención re-ubicados a otra ubicación. Consulte las secciones correspondientes de este manual para obtener las instrucciones sobre su instalación en particular. Lea esta sección antes de cambiar la ubicación del soplador.

### **Prepare el soplador (lugar remoto) (cont.)**

- Cambie la ubicación del soplador y la válvula de retención lo más cerca posible de la bañera para aumentar al máximo el rendimiento. No ubique el soplador y la válvula de retención a más de 15' (4,5 m) de la bañera.
- Coloque el soplador 1-1/2" (38 mm) sobre el piso. No monte el motor soplador con la salida del motor soplador apuntando hacia arriba.
- Utilice tubería PVC de 1-1/2" o rígida equivalente.
- La instalación de la tubería debe cumplir con los requisitos de los códigos locales de plomería o construcción. Asegúrese de que la instalación no reduzca la resistencia al fuego de ninguna de las paredes. Los tubos deben estar soportados, a intervalos, a lo largo de la longitud conforme a los códigos locales.
- Asegúrese de que la ubicación del motor soplador esté limpia y no tenga polvo o suciedad.
- Instale un panel de acceso para el mantenimiento del motor soplador.
- El cable de alimentación calibre mínimo de 18 AWG al motor soplador debe cumplir con todos los requisitos de los códigos de electricidad o construcción pertinentes. Asegúrese de que la instalación no reduzca la resistencia al fuego de ninguna de las paredes.
- El cable eléctrico debe estar soportado a intervalos, a lo largo de la longitud conforme a los códigos locales. Los cables eléctricos no deben descansar en superficies ni pisos sujetos a inundación.
- Todo el material necesario para cambiar la ubicación debe ser provisto por el instalador.
- Herramientas y materiales adicionales que usted necesitará:
  - Pinzas de electricista
  - Destornilladores surtidos
  - Llave ajustable
  - Taladro y brocas para instalar los herrajes de montaje del soplador
  - Cable con revestimiento no metálico de calibre 18 AWG, dos conductores con conexión a tierra, con clips de soporte, según se requiera.
  - Una caja de empalmes de 4" (102 mm) x 2" (51 mm) con tapa, empaque y tornillos de fijación.
  - Tres protectores contra tirones - uno debe entrar en la tapa del motor soplador con roscas estándar National Pipe Thread (NPT). Los otros dos deben entrar en los orificios de la caja de empalmes nueva.
  - Seis conectores de cable (tuercas para cable o equivalente)
  - Tubo de 1-1/2" de PVC u de otro tipo rígido con conexiones, uniones, cemento para PVC (o método de fijación equivalente) y clips de soporte, según se requiera.
  - Cuatro herrajes (como tornillos de cabeza plana para madera o anclajes para concreto) para fijar el motor soplador
  - Cable de puesta a tierra de cobre calibre 8, 3/8" (9.5 mm).

### Encajonado entre tres paredes

Coloque las tuberías de plomería.



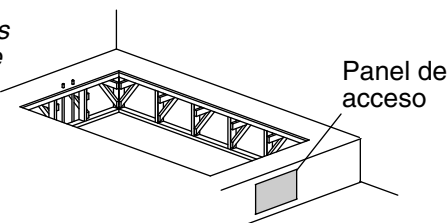
Construya una estructura de postes de madera de 2x4 según el diagrama de instalación.

Verifique que el subpiso proporcione suficiente soporte y que esté plano y a nivel.

### De sobreponer

Construya según el las dimensiones del producto.

Coloque las tuberías de plomería.



Verifique que el subpiso proporcione suficiente soporte y que esté plano y a nivel.

## 1. Prepare el sitio

**AVISO:** Mida el producto para la preparación del lugar. Fíjese en el **número de modelo** ubicado en el soplador, luego visite la página del producto en [www.kohler.com](http://www.kohler.com) para información adicional.

**AVISO:** Proporcione la ventilación adecuada y un espacio de aire libre mínimo de 15 pies cúbicos (0,4 metros cúbicos) en el lugar de la instalación para enfriamiento del motor y suministrar suficiente aire al soplador. No instale el motor soplador a menos de 1" (25 mm) de distancia de la pared u otros objetos.

**AVISO: Provea amplio acceso y sin restricciones al soplador.** Usted debe proveer acceso para dar servicio al soplador y los controles. El acceso se debe ubicar justo al lado del soplador.

**AVISO:** No levante la bañera por los tubos o el soplador, ni los utilice como soporte estructural de la bañera. Para evitar daño a la bañera, levántela por los lados.

**AVISO:** No apoye el peso de la bañera sobre el borde.

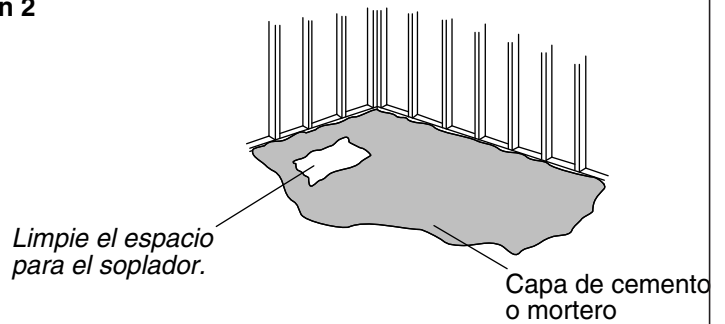
**NOTA:** Dependiendo del producto elegido, es posible realizar una instalación de sobreponer, encajonada entre tres paredes o en esquina.

- Antes de la instalación, saque las piezas de su caja y revise que la bañera nueva no presente daño. Si la bañera presenta daño, no la instale; comuníquese con su distribuidor.
- Verifique que el piso proporcione el soporte adecuado para su bañera y que el subpiso esté plano y nivelado.
- Construya la estructura de postes de madera de 2x4.
- Instale un panel de acceso para dar servicio futuro al soplador. Este panel de acceso debe tener por lo menos 34" (864 mm) de ancho y 15" (381 mm) de alto.
- Instale las tuberías de plomería.
- Instale el desagüe en la bañera según las instrucciones del fabricante del desagüe.
- Proteja la superficie de la bañera colocando una lona limpia en el fondo.

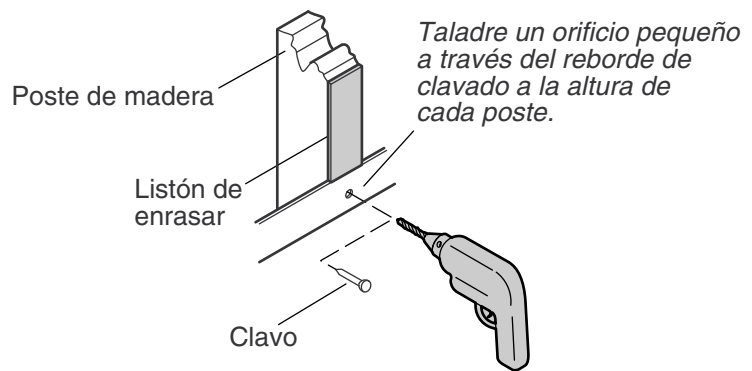
### Opción 1



### Opción 2



### Instalaciones de encajonado entre tres paredes o en esquina



## 2. Instale la bañera

**AVISO:** No levante la bañera por los tubos o el soplador, ni los utilice como soporte estructural de la bañera. Para evitar daño a la bañera, levántela por el borde de los lados de la bañera.

- Si el subpiso no está a nivel, acúñe los bloques de soporte o los soportes moldeados de la bañera según sea necesario.

### Opción 1: Instale utilizando adhesivo de construcción

**NOTA:** Algunos modelos vienen con bloques de soporte; algunos modelos tienen soportes moldeados.

- Aplique una cantidad abundante de adhesivo de construcción de alta calidad en la parte inferior de los bloques de soporte o de los soportes moldeados. Obtenga ayuda para colocar con cuidado la bañera en su lugar.

### Opción 2: Instale utilizando una capa de cemento o mortero

**NOTA:** No utilice cemento de yeso o pasta para paneles de yeso con esta aplicación, puesto que no proporcionará una adherencia aceptable ni duradera.

- Coloque el área del fondo en una capa de cemento mortero de 1" (25 mm) a 2" (51 mm).

### Fije los rebordes de clavado (unidades para encajonado entre tres paredes)

- Taladre un pequeño orificio guía a través del reborde de clavado en cada poste de madera. Utilice cuñas de ser necesario.
- Utilice clavos galvanizados de cabeza grande para fijar el reborde de clavado a los postes de madera.
- Clave listones de enrasar de 1/4" (6 mm) a los postes de madera.

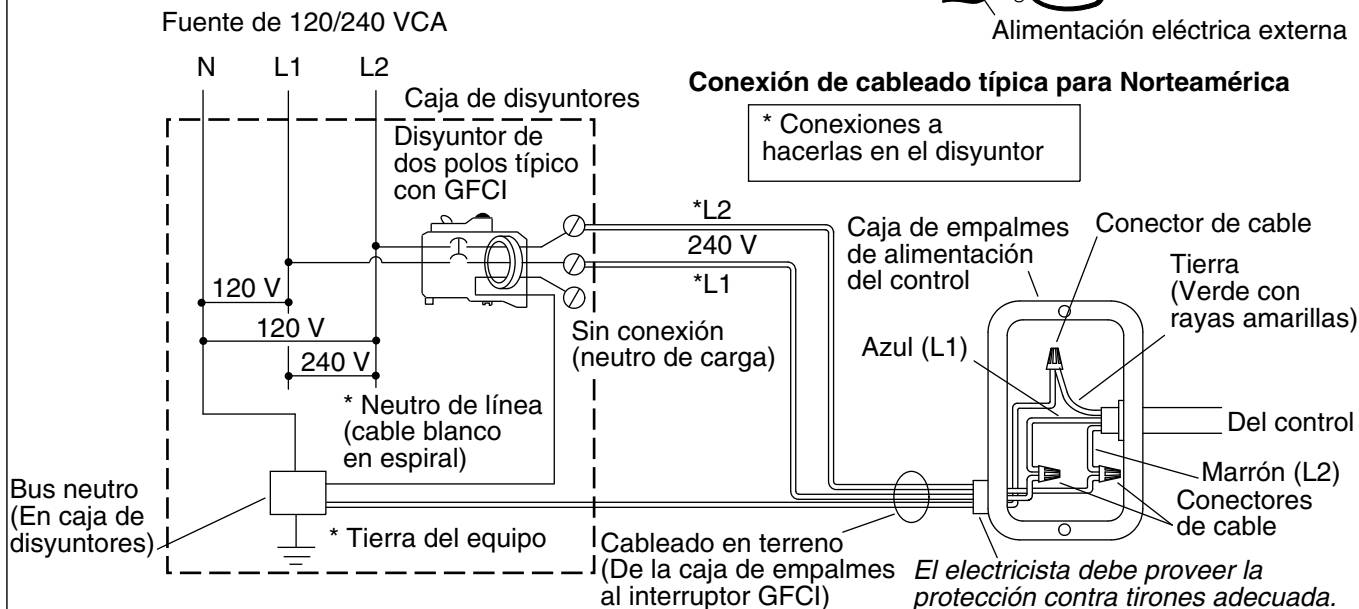
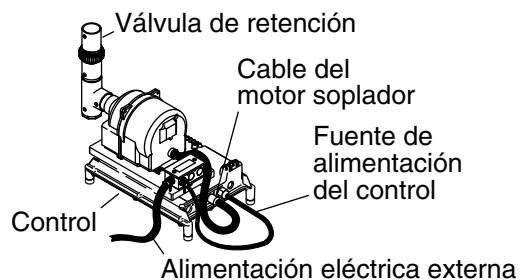
## **Instale la bañera (cont.)**

### **Instale la plomería**

- Inserte el tubo final del desagüe en la trampa. Fije el tubo final del desagüe en la trampa.
- Instale las válvulas de la grifería.
- Compruebe que no haya fugas en las conexiones de desagüe.



Conecte conforme a los códigos nacionales y locales.  
Las lengüetas abiertas de conexión a tierra se encuentran en la parte superior de la caja de empalmes.



### 3. Realice las conexiones eléctricas - Estándar

**NOTA:** El número de modelo del producto está impreso en una etiqueta en el lado del soplador de la bañera. Esta etiqueta también identifica la capacidad nominal eléctrica del producto. **Todas las bañeras están equipadas con una caja de empalmes y están diseñadas para funcionar entre 220 V y 240 V a 50 Hz o 60 Hz.**



**ADVERTENCIA: Riesgo de descarga eléctrica.** Asegúrese de desconectar la corriente eléctrica antes de realizar el siguiente procedimiento.

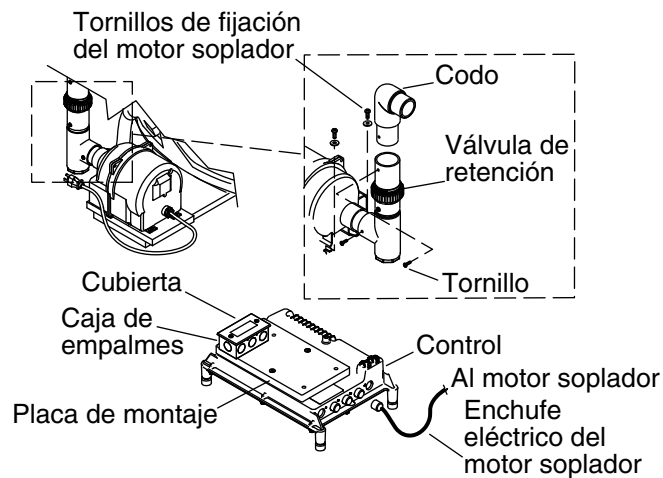


**ADVERTENCIA: Riesgo de descarga eléctrica.** Conecte el soplador a un interruptor, con conexión a tierra, de circuito con pérdida a tierra (GFCI) o dispositivo de corriente residual (RCD). Esto servirá de protección adicional contra el peligro de sacudida eléctrica de línea a tierra. Se requiere un circuito dedicado de 220-240 V, 20 A, 50/60 Hz.

**¡IMPORTANTE!** El **neutro de carga** no se usa. No debe haber conexión al terminal de **neutro de carga** en el interruptor de circuito con pérdida a tierra (GFCI). El cable verde con rayas amarillas es la **tierra del equipo** y se tiene que conectar al bus neutro en la caja de disyuntores principal.

**NOTA:** El arnés de cables incluye una antena para el control remoto opcional. No modifique ni dañe esta antena durante la instalación.

- Conecte el cable de servicio eléctrico a la caja de empalmes. La caja de empalmes tiene cables azules, marrones y verdes con una raya amarilla, así como una lengüeta para la conexión a tierra
- Cumpla con todos los códigos eléctricos locales. Cumpla con los códigos nacionales y locales.



#### 4. Desconecte el motor soplador - Remoto

**AVISO:** Esta sección sólo aplica a las instalaciones en las que el motor soplador y la válvula de retención se cambiarán de ubicación.

**AVISO:** No corte la tubería del soplador para esta instalación.

**AVISO:** Usted tiene que cambiar la ubicación de la válvula de retención con el motor soplador. No desconecte la válvula de retención de la T.

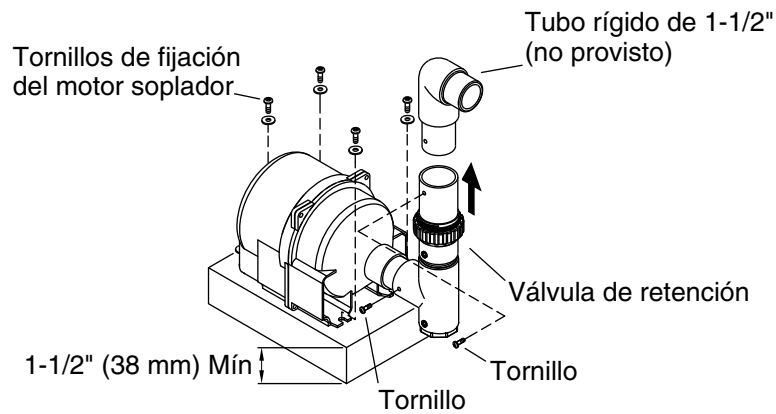
##### Retire el motor soplador y la válvula de retención

- Desconecte el enchufe eléctrico del motor soplador del control.
- Retire los sujetacables que soportan el cable del motor soplador.
- Retire y guarde el tornillo que sostiene la válvula de retención al codo de PVC.
- Retire y guarde los cuatro tornillos de la placa de montaje.
- Deslice el motor soplador y la válvula de retención alejándolos del codo y retire el motor soplador de la bañera.

##### Prepare el sitio

**NOTA:** Consulte la sección "Prepare el soplador (lugar remoto)" para obtener detalles sobre el cambio de ubicación del soplador.

- Prepare el sitio donde se va a instalar el motor soplador. El sitio se debe estar dentro de 15' (4,5 m) de la bañera.
- Instale el panel de acceso para dar servicio al motor soplador.
- Prepare las rutas para el tendido de la tubería de PVC y del cable eléctrico nuevo del motor soplador. Cumpla con todos los códigos correspondientes.

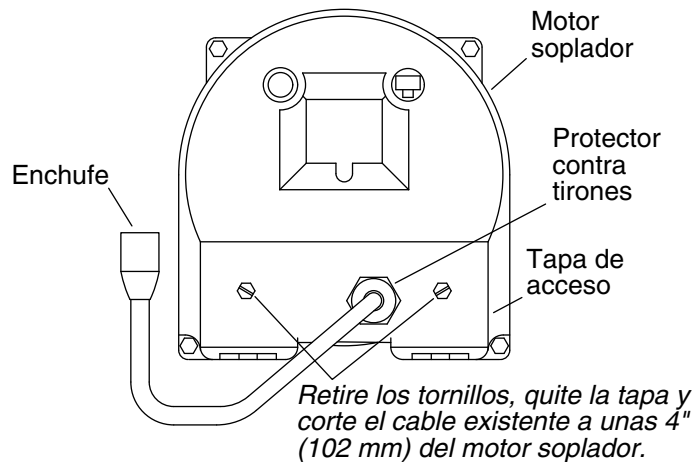


## 5. Monte el motor soplador y la válvula de retención - Remoto

**NOTA:** El motor soplador se debe montar horizontalmente 1-1/2" (38 mm) sobre del piso. No monte el motor soplador con la salida apuntando hacia arriba.

**NOTA:** Consulte la sección "Prepare el soplador (lugar remoto)" para obtener otros requisitos para el cambio de ubicación del motor soplador.

- En la nueva ubicación del motor soplador, instale un bloque (no provisto) de 1-1/2" (38 mm) alto para soportar el motor soplador.
- Utilice el motor soplador como una plantilla para marcar la ubicación de los cuatros pernos de fijación o tornillos.
- Taladre cuatro orificios guía de 1/8" (3 mm) para los tornillos de fijación del motor soplador.
- Instale y soporte tubería rígida de 1-1/2" de PVC o de otro tipo (no provista) entre la ubicación del motor soplador y las tuberías de aire.
- Conecte la tubería nueva a la tubería de aire existente sin modificarla. Alinee el tubo nuevo y fije la conexión con cemento para PVC. **Deje que el cemento para PVC se seque según las instrucciones del fabricante.**
- Conecte el montaje de la válvula de retención a las tubería nueva. Alinee el tubo nuevo con el montaje de la válvula de retención y taladre un orificio para el tornillo de fijación existente. Utilice sellador de silicona o equivalente en las conexiones y vuelva a utilizar el tornillo que retiró anteriormente. Deje que el sellador se seque según las recomendaciones del fabricante.
- Coloque el motor sobre el bloque de soporte. Vuelva a instalar el tornillo en la válvula de retención.
- Fije el motor soplador al bloque de soporte nuevo con los tornillos de fijación.



## 6. Termine el cable en el soplador - Remoto

### Tienda el cable eléctrico

- Tienda cable eléctrico calibre 18 AWG o equivalente (dos conductores con conexión a tierra) entre la bañera y el soplador. Soporte y proteja el cable. Cumpla con todos los códigos eléctricos locales.

### Prepare el soplador para la instalación remota

- Afloje la tuerca del protector contra tirones del cable en el motor soplador. Empuje la tuerca de regreso en el cable para dejar espacio para retirar la tapa.
- Retire y guarde los dos tornillos de la tapa de acceso del lado posterior del motor soplador. Al ir aflojando los tornillos, verifique periódicamente si la tapa se puede deslizar hacia atrás en el cable eléctrico.
- Una vez que la tapa esté floja, utilice unas pinzas de electricista o equivalente para cortar el cable eléctrico a unas 4" (102 mm) del punto donde el cable entra al alojamiento del motor soplador.
- Jale el extremo libre del cable eléctrico a través de la tapa, el inserto y la tuerca del protector contra tirones.
- Deseche la tuerca del protector contra tirones e inserto existentes.
- Vuelva a conectar el enchufe del motor soplador al control.
- Instale un protector contra tirones de rosca estándar NPT a la tapa del motor soplador.

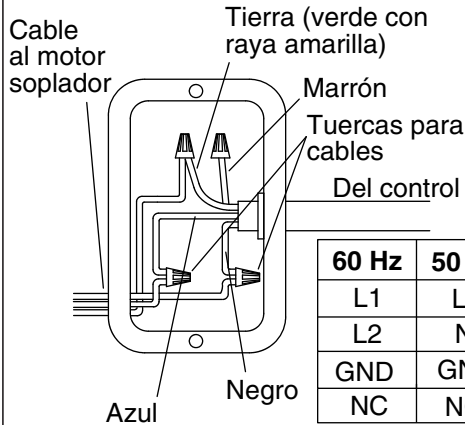
### Conecte el cable de eléctrico nuevo al motor soplador

- En el cable en espiral de 4" (102 mm) del motor soplador, pele unos 3" (76 mm) del forro del cable.
- En el cable eléctrico provisto por el cliente, pele unos 2" (51 mm) del forro del cable.
- En los EE.UU., marque los conductores blanco con cinta roja o negra según lo requiera el National Electric Code (NEC).
- Pele el aislamiento de los hilos unos 3/8" (10 mm) del cable en espiral del motor soplador y del cable eléctrico.
- Pase los hilos del cable eléctrico nuevo a través de la tapa de acceso del motor soplador y el protector contra tirones.
- Utilice tuercas para cables u otros métodos aprobados de terminación, y termine los conductores como sigue:
  - Conecte el hilo negro del cable en espiral al conductor L1 del cable eléctrico.
  - Conecte el hilo azul del cable en espiral al conductor L2 o N del cable eléctrico.

### **Termine el cable en el soplador - Remoto (cont.)**

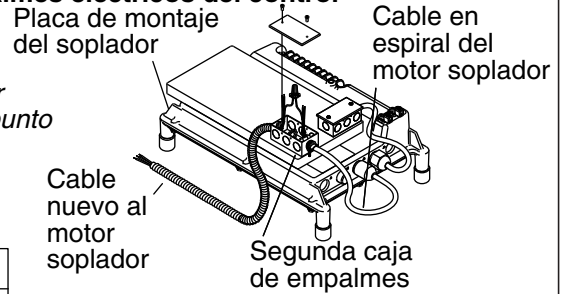
- Conecte el hilo verde con raya amarilla del cable en espiral al conductor de conexión a tierra del cable eléctrico.
- Con los dos tornillos, vuelva a instalar la tapa de acceso en el motor soplador.
- Apriete el protector contra tirones en el cable eléctrico en el motor soplador.
- Elimine el polvo y la suciedad del área del motor soplador.

### Segunda caja de empalmes



### Caja de empalmes eléctricos del control

*Pelee unos 3 (76 mm) del forro del cable de terreno y del cable en espiral del motor soplador. Luego corte en el punto donde termina el forro del cuarto cable marrón que no se utiliza.*



60 Hz	50 Hz	Del control
L1	L1	Azul
L2	N	Negro
GND	GND	Verde con raya amarilla
NC	NC	Marrón

*Pase el extremo cortado del cable a la caja de empalmes nueva. Añada un protector contra tirones.*

*Instale una caja de empalmes con tapa y una lengüeta de conexión a tierra (no incluida).*

## 7. Instale el cable del soplador al control - Remoto

### Instale la segunda caja de empalmes en el control

- Instale una segunda caja de empalmes con un lengüeta externa de conexión a tierra, dos protectores contra tirones y una tapa (no provista) en la placa de montaje del adaptador del soplador en el control.
- Conecte un hilo de cobre calibre 8 desde la lengüeta de conexión a tierra en la caja de empalmes nueva a la lengüeta de conexión no utilizada en el control. Cumpla con todos los códigos eléctricos locales.

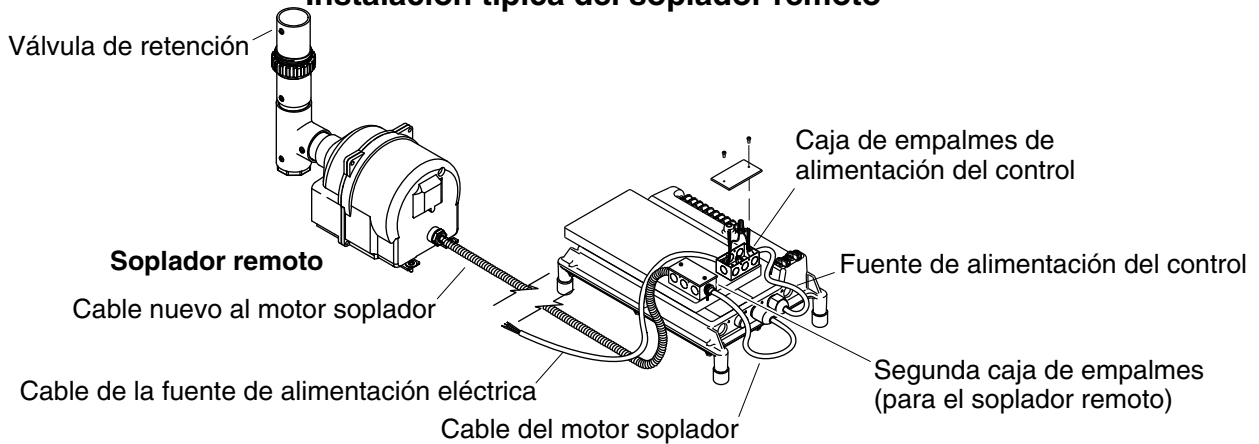
### Vuelva a conectar el cable eléctrico del motor soplador

- Si se requiere, vuelva a conectar el cable eléctrico del motor soplador en el control.
- Pase el cable eléctrico del motor soplador a través del protector contra tirones en la segunda caja de empalmes. Apriete el protector contra tirones.
- En el extremo cortado del cable eléctrico, pele unas 3" (76 mm) del forro del cable.
- Con una tuerca para cable, tape el conductor marrón que no se utiliza en el forro del cable.
- Pele aproximadamente 3/8" (10 mm) del aislamiento de cable de los cables de control restantes.

### Vuelva a conectar el cable eléctrico nuevo del soplador

- Pase el cable eléctrico provisto por el cliente del soplador a través del otro protector contra tirones en la segunda caja de empalmes. Apriete el protector contra tirones.
- Pele unos 3" (76 mm) del forro del cable.
- Para las instalaciones en los EE.UU., marque los cables blancos con cinta aislante de color rojo o negro según lo requiere el National Electric Code (NEC).
- Pele unos 3/8" (10 mm) del extremo de los cables.
- Utilice dispositivos aprobados de terminación para terminar los conductores como sigue:
  - Conecte el hilo negro del cable en espiral al conductor L1 del cable eléctrico.
  - Conecte el hilo azul del cable en espiral al conductor L2 o N del cable eléctrico.
  - Conecte el hilo verde con raya amarilla del cable en espiral al conductor de puesta a tierra del cable eléctrico.
  - El hilo marrón no se usa y se debe tapar con una tuerca para cable.
- Instale la tapa en la nueva caja de empalmes.

## Instalación típica del soplador remoto



## 8. Realice las conexiones eléctricas - Remoto



**ADVERTENCIA: Riesgo de sacudida eléctrica.** Para reducir el riesgo de una sacudida eléctrica, conecte el control a un tomacorriente correctamente conectado a tierra protegido por un interruptor de circuito con pérdida a tierra (GFCI) o un dispositivo de corriente residual (RCD). Esto servirá de protección adicional contra el peligro de sacudida eléctrica de línea a tierra. Se requiere un circuito dedicado de 220-240 V, 20 A, 50/60 Hz.



**ADVERTENCIA: Riesgo de descarga eléctrica.** Asegúrese de desconectar la corriente eléctrica antes de realizar el siguiente procedimiento.

- Asegúrese de que el cable de la fuente de alimentación del control se haya tendido correctamente a la caja de empalmes eléctricos del control. El cable de la fuente de alimentación del control tiene un cable marrón (Línea 1), un cable azul (Línea 2) y un cable verde con una raya amarilla (puesta a tierra).
- Instale un protector contra tirones (no provisto) para el cable de la fuente de alimentación a la caja de empalmes eléctricos del control.
- Pase el cable de la fuente de alimentación a la caja de empalmes eléctricos del control.
- Según se requiera, pele el forro y el aislamiento de ambos cables para realizar las conexiones.
- Para las instalaciones en los EE.UU., marque los conductores blancos que pueda haber en el cableado de la fuente de alimentación con cinta roja o negra, como lo requiere el NEC.
- Conecte el servicio eléctrico a la caja de empalmes eléctricos del control.
- Provea un conductor de conexión a tierra separado a la lengüeta de conexión a tierra no usada ubicada en la caja de empalmes eléctricos del control. Este conductor **no debe** estar conectado a ningún otro conductor portador de corriente. Cumpla con todos los códigos eléctricos locales.
- Cumpla con los códigos nacionales y locales.
- Limpie el polvo y los restos de suciedad del área.
- El cableado de todos los arneses de cables se ha realizado en la fábrica. Asegúrese de que todos los cables estén bien apretados.

**NOTA:** El arnés de cables incluye una antena para el control remoto opcional. No modifique ni dañe esta antena durante la instalación.

## 9. Termine la instalación

### Pruebe el funcionamiento de la bañera

- Llene la bañera a un nivel de por lo menos 4" (102 mm) arriba del jet de aire más alto.

### Termine la instalación (cont.)

- Deje funcionar la bañera durante 5 minutos y revise que no haya fugas en las conexiones de todas las tuberías de la bañera. Verifique que no haya fugas a lo largo del frente, los lados y la parte posterior de la bañera.
- Para obtener información adicional sobre el funcionamiento de la bañera, consulte la sección "Instrucciones de funcionamiento".

### Acabe la instalación

- Instale panel de yeso impermeable y los materiales de acabado de la pared, la cubierta y el piso.
- Aplique sellador de silicona para sellar todas las áreas donde la bañera y la pared acabada o la cubierta hacen contacto.
- Instale la guarnición de la grifería.

### Limpieza después de la instalación

- Al limpiar después de la instalación, **no utilice productos de limpieza abrasivos** pues pueden rayar y opacar la superficie de la bañera. Utilice agua tibia y un detergente líquido para limpiar la superficie de la bañera.
- Limpie las manchas difíciles de quitar o la pintura con aguarrás o diluyente de pintura. **No permita que los productos de limpieza que contengan destilados de petróleo permanezcan en contacto con la superficie de la bañera por periodos prolongados.** Elimine con cuidado el yeso raspando con un canto de madera. No utilice raspadores de metal, cepillos de alambre ni otras herramientas metálicas. Se puede utilizar un detergente en polvo con un trapo húmedo para proporcionar una acción abrasiva suave en los residuos de yeso.

## Instrucciones importantes de seguridad

### LEA Y SIGA TODAS LAS INSTRUCCIONES

### GUARDE ESTAS INSTRUCCIONES

#### INSTRUCCIONES RELATIVAS A LOS RIESGOS DE INCENDIO, SACUDIDA ELÉCTRICA O LESIONES PERSONALES



**ADVERTENCIA:** Al usar aparatos eléctricos, siga siempre las precauciones básicas, incluyendo las siguientes:



**PELIGRO: Riesgo de lesiones personales o ahogamiento.** Para reducir el riesgo de lesiones, no permita que los niños usen este producto sin la estricta supervisión en todo momento.



**ADVERTENCIA: Riesgo de lesiones personales.** Para evitar lesiones, tenga cuidado al entrar y salir de la bañera.



**ADVERTENCIA: Riesgo de descarga eléctrica.** No coloque aparatos eléctricos (como secador de pelo, lámparas, teléfono, radio o televisión) a menos de 5' (1,5 m) de esta bañera.



**ADVERTENCIA: El uso de alcohol, drogas o medicamentos puede aumentar enormemente el riesgo de sufrir hipertermia fatal.** La inmersión prolongada en agua caliente puede producir hipertermia. La hipertermia ocurre cuando la temperatura interna del cuerpo alcanza un nivel superior a la temperatura corporal normal de 98,6°F (37°C). Los síntomas de la hipertermia incluyen el aumento de la temperatura corporal interna, mareos, letargo, somnolencia y desfallecimiento. Los efectos de la hipertermia incluyen: (a) incapacidad para percibir calor, (b) incapacidad para reconocer la necesidad de salir de la bañera, (c) inconsciencia de un peligro inminente, (d) daño al feto en mujeres embarazadas, (e) inhabilidad física para salir de la bañera y (f) pérdida del conocimiento con peligro de ahogarse.



## Instrucciones importantes de seguridad (cont.)



**ADVERTENCIA: Riesgo de lesiones mortales.** Las mujeres embarazadas o que posiblemente estén embarazadas deben consultar a un médico antes de usar la bañera.



**ADVERTENCIA: Riesgo de hipertermia o ahogamiento.** No utilice la bañera inmediatamente después de hacer ejercicio.



**ADVERTENCIA: Riesgo de hipertermia o ahogamiento.** Una temperatura del agua superior de los 100°F (38°C) puede causar lesiones. Pruebe y ajuste la temperatura del agua antes de utilizar.



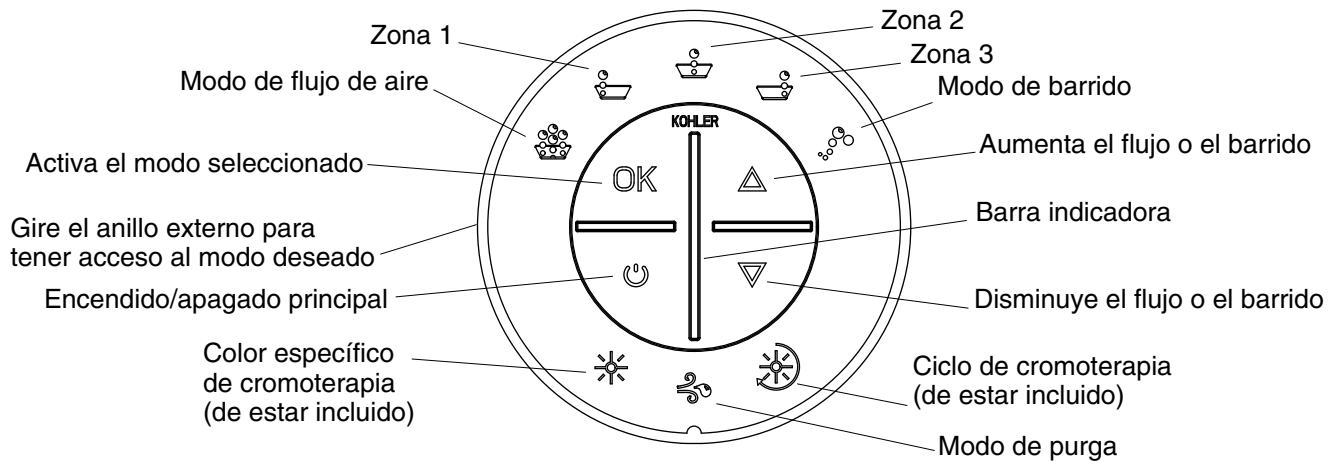
**ADVERTENCIA: Riesgo de lesiones personales.** No deje caer ni introduzca objetos en ninguna de las aberturas.

Use esta bañera únicamente con el fin para el que se ha fabricado, tal como se explica en esta guía. No use equipos adicionales que no estén recomendados por Kohler Co.

La bañera se debe conectar a un circuito protegido por un interruptor de circuito con pérdida a tierra (GFCI)\*. El instalador debe suministrar dicho interruptor GFCI, cuyo funcionamiento debe probarse en forma rutinaria. Para probar el GFCI, oprima el botón de prueba. El GFCI debe interrumpir el suministro eléctrico. Oprima el botón de restablecer (reset) la alimentación eléctrica. Esto debe restablecer la alimentación eléctrica. Si el interruptor de protección GFCI no funciona de este modo, significa que está averiado. Si el GFCI interrumpe la alimentación a la bañera sin haber activado el botón de prueba, significa que existe corriente a tierra, indicando la posibilidad de una sacudida eléctrica. No utilice esta bañera. Desconecte la bañera y solicite que un representante de servicio autorizado solucione el problema.

Su nueva bañera KOHLER está incluida en la lista de Underwriter's Laboratories, asegurando así su seguridad y la de su familia. Asimismo, esta bañera cumple con las estrictas normas del ANSI e IAPMO establecidas dentro de la industria de plomería.

\* Fuera de los Estados Unidos, este dispositivo se conoce como un dispositivo de corriente residual (RCD, por sus siglas en inglés).



## Instrucciones de funcionamiento

**NOTA:** Si la unidad no funciona correctamente, consulte la sección "Guía para resolver problemas".

### Puesta en marcha de la unidad

- Llene la bañera a un nivel de por lo menos 4" (102 mm) arriba de los jets de aire.
- Con la mano, pruebe la temperatura del agua para su confort y seguridad.
- Con cuidado entre a la bañera.
- Oprima el icono de encendido/apagado en el teclado.
- Si lo desea, ajuste la velocidad del flujo de aire utilizando los botones de flechas hacia arriba y hacia abajo.

### Selección de los modos de flujo de aire

- Gire el anillo externo para seleccionar el modo deseado.
- Oprima el icono "OK" para activar el modo.
- Para desactivar un modo, gire el anillo externo hasta que el icono se ilumine de forma intermitente en verde, y luego oprima otra vez el icono "OK".
- El icono cambiará a azul lo que indicará que el modo se ha apagado.

### Pare el funcionamiento de la bañera

- Cuando esté listo, oprima el icono de encendido/apagado por segunda vez para parar el sistema de aire.
- Salga con cuidado a la bañera.
- Cuando la bañera se vacía por debajo de los sensores de nivel, se inicia un ciclo de purga automática de dos minutos. El sistema de aire funciona a baja velocidad para soplar el agua residual de la tubería de aire.

### Inicie un ciclo de purga manual (cuando lo desee)

**NOTA:** Siga estos pasos si desea purgar manualmente agua del sistema de aire.

- Una vez que se haya detenido el sistema de aire y haya vaciado la bañera, gire el anillo en el teclado al icono "Purga".
- Cuando el icono "Purga" parpadea en azul, oprima una vez el icono "OK".
- El icono "Purga" parpadea en verde y se inicia el modo de purga manual. El sistema de aire funciona a baja velocidad para soplar el agua residual de la tubería de aire.

## Instrucciones de funcionamiento (cont.)

- Después de dos minutos, el sistema de aire se para automáticamente.

## Cuidado y limpieza

Para obtener los mejores resultados, tenga presente lo siguiente al limpiar la bañera KOHLER con jets de aire:

- Siempre pruebe la solución de limpieza en un área oculta antes de aplicarla a toda la superficie.
- Limpie con un trapo las superficies y enjuague completa e inmediatamente con agua después de aplicar el limpiador. Enjuague y seque las superficies cercanas que se hayan rociado.
- No deje los limpiadores por tiempo prolongado en las superficies.
- Utilice una esponja o trapo suave y húmedo. Para limpiar las superficies, nunca utilice materiales abrasivos como cepillos o estropajos de tallar.
- La técnica de limpieza ideal es enjuagar completamente y secar dando toques suaves el agua de la superficie después de cada uso.
- Utilice un cepillo de nylon suave en las superficies antiresbalantes. Asegúrese de utilizar un limpiador soluble en agua (que disuelva al 100% en el agua).
- **No utilice productos de limpieza en polvo a menos que estén completamente disueltos en agua.** Las sustancias sólidas pueden obstruir los jets de aire.
- **No utilice soluciones de limpieza concentradas que contengan blanqueador o amoníaco.** Las soluciones de limpieza activas químicamente pueden dañar la superficie de la bañera.
- **No utilice disolventes ni limpiadores abrasivos en las superficies de los jets de aire.** Los disolventes y productos de limpieza abrasivos pueden dañar la superficie de los jets de aire.

### Mantenimiento de los jets de aire

- Si es necesario limpiar los jets de aire debido a depósitos minerales del agua dura, moje un trapo suave, no abrasivo, con vinagre blanco y limpie los orificios del jet de aire que estén tapados. Enjuague inmediatamente el área con agua limpia para evitar la exposición prolongada de la superficie del jet de aire al vinagre.
- Llene la bañera de agua hasta la fila superior de jets de aire. Drene la bañera y oprima el botón de purga.

### Limpieza del teclado y del control remoto

- Utilice un paño suave para limpiar el teclado y el control remoto después de cada uso. Si la superficie se ensucia, limpie con un jabón no abrasivo y agua tibia.

Para obtener información detallada de limpieza y los limpiadores a considerar, visite [www.kohler.com/clean](http://www.kohler.com/clean). Para solicitar información sobre el cuidado y la limpieza, llame al 1-800-456-4537.

## Garantía

### GARANTÍA LIMITADA DE UN AÑO

Se garantiza que los productos de plomería KOHLER están libres de defectos de material y mano de obra por un año a partir de la fecha de instalación.

Kohler Co., a su criterio, reparará, reemplazará o realizará los ajustes pertinentes en los casos en que la inspección realizada por Kohler Co. determine que dichos defectos ocurrieron durante el uso normal en el transcurso de un (1) año a partir de la fecha de la instalación. Kohler Co. no se hace responsable de costos de desinstalación o instalación. **El uso de limpiadores de inodoro que se colocan dentro del tanque anulará la garantía.**

Para obtener el servicio de garantía, comuníquese con Kohler Co. a través de su distribuidor, contratista de plomería, centro de remodelación o distribuidor por Internet, o escriba a Kohler Co., Attn.: Customer Care Center, 444 Highland Drive, Kohler, WI 53044, USA, o llame al 1-800-4-KOHLER (1-800-456-4537) desde los EE.UU. y Canadá, y al 001-800-456-4537 desde México, o visite [www.kohler.com](http://www.kohler.com) desde los EE.UU., [www.ca.kohler.com](http://www.ca.kohler.com) desde Canadá, o [www.mx.kohler.com](http://www.mx.kohler.com) en México.

## Garantía (cont.)

**TODA GARANTÍA IMPLÍCITA INCLUYENDO DE COMERCIALIZACIÓN E IDONEIDAD DEL PRODUCTO PARA UN USO DETERMINADO, SE LIMITA EXPRESAMENTE A LA DURACIÓN DE ESTA GARANTÍA. KOHLER CO. Y/O EL VENDEDOR DESCARGAN TODA RESPONSABILIDAD POR CONCEPTO DE DAÑOS PARTICULARES, INCIDENTALES O INDIRECTOS.** Algunos estados/provincias no permiten limitaciones en cuanto a la duración de una garantía implícita o a la exclusión o limitación de daños particulares, incidentales o indirectos, por lo que estas limitaciones y exclusiones pueden no aplicar a su caso. Esta garantía le otorga ciertos derechos legales específicos. Además, usted puede tener otros derechos que varían de estado a estado y provincia a provincia.

Ésta es la garantía exclusiva por escrito de Kohler Co.

## Garantía

### Para México

KOHLER CO.

Se recomienda que al momento de la compra, verifique que todos los accesorios y componentes estén completos en esta caja.

Se garantiza que este producto Kohler está libre de defectos en material y mano de obra por un (1) año a partir de la fecha de compra que aparezca en la factura o recibo.

1. Kohler Co. prestará servicio únicamente a los productos comercializados a través de sus distribuidores autorizados.
2. Para obtener el servicio de garantía, favor de presentar la factura de compra y la garantía correspondiente.
3. Kohler Co., a través de sus distribuidores autorizados, se compromete a reparar el producto defectuoso o, cuando la reparación no sea posible, reemplazarlo por uno nuevo o un modelo equivalente (en caso de que el producto haya sido descontinuado) sin ningún cargo al consumidor.
4. El tiempo de reparación no excederá de seis (6) semanas a partir de la fecha de recepción del producto.
5. Se recomienda al consumidor que conserve el recibo o factura de compra como protección adicional, pues el mismo puede sustituir a la garantía en caso de que exista discrepancia en cuanto a la validez de la misma.

### EXCEPCIONES Y RESTRICCIONES

La garantía no tendrá validez en los siguientes casos:

1. Cuando el producto no se haya utilizado conforme a las instrucciones de uso y funcionamiento incluidas en el manual del usuario o en las instrucciones de instalación y cuando no se hayan observado las recomendaciones y advertencias provistas.
2. Cuando el producto se haya modificado o desmantelado parcial o totalmente; o manipulado de manera negligente y, como consecuencia, haya sufrido daños atribuibles al consumidor, persona o herrajes no autorizados por Kohler Co.
3. Esta garantía no cubre los daños que resulten de desastres naturales, tales como incendios o casos de fuerza mayor, incluyendo inundaciones, terremotos, tormentas eléctricas, etc. Para obtener una lista de distribuidores cerca de usted y así hacer valer sus derechos bajo esta garantía, llame al 001-800-456-4537.

KOHLER CO., KOHLER, WI 53044 U.S.A.

### IMPORTADOR:

INTERNACIONAL DE CERÁMICA, S.A.B. DE C.V.

AV. CARLOS PACHECO NO. 7200

CHIHUAHUA, CHIH., MÉXICO C.P. 31060

TEL: 52 (14) 29-11-11

## Guía para resolver problemas

**AVISO:** Esta sección es sólo para ayuda general. Todos los problemas eléctricos deben ser resueltos por un representante de servicio autorizado de Kohler Co. o un electricista calificado. Para obtener el servicio de garantía, llame 1-800-4KOHLER desde los EE.UU. y Canadá, o al 001-800-456-4537 desde México.

**NOTA:** El número de modelo del producto está impreso en una etiqueta en el lado del soplador de la bañera.

**NOTA:** Para información sobre piezas de repuesto, visite la página de su producto en [www.kohler.com/serviceparts](http://www.kohler.com/serviceparts).

### Guía para resolver problemas del sistema de la bañera

Síntomas	Causas probables	Acción recomendada
1. El teclado no se ilumina cuando se oprime el icono de encendido o se hace girar el anillo externo.	A. El control no tiene alimentación eléctrica.	A. Verifique el cableado y conecte el suministro eléctrico.
	B. El interruptor de circuito con pérdida a tierra (GFCI) o el dispositivo de corriente residual (RCD) se ha disparado.	B. Oprima el botón de restablecer el interruptor GFCI o RCD. Si se dispara otra vez, consulte "El interruptor de circuito con pérdida a tierra (GFCI) o el dispositivo de corriente residual (RCD) se dispara cuando la bañera se enciende".
	C. El arnés de cables del teclado al control está suelto, desconectado o dañado.	C. Revise que los cables estén correctamente conectados. Reemplace el arnés de cables de ser necesario.
	D. El teclado no funciona.	D. Reemplace el teclado.
	E. El control no funciona.	E. Reemplace el control.
2. El interruptor de circuito con pérdida a tierra (GFCI) o el dispositivo de corriente residual (RCD) se dispara cuando la bañera se enciende.	A. El arnés de cables eléctricos está mojado o dañado.	A. Verifique que las conexiones no estén mojadas. Seque las conexiones y repare la fuga. Verifique que el aislamiento o el conector no estén dañados. Reemplace el arnés de cables si está dañado.
	B. El cableado eléctrico a la caja de empalmes de la bañera está mojado o dañado; o el amperaje eléctrico no es adecuado.	B. Haga que un electricista calificado diagnostique y corrija el problema conforme a los códigos pertinentes eléctricos y de construcción; o aumente el amperaje eléctrico a 20 A.
	C. El cableado eléctrico al cable de eléctrico de la bañera está mojado o dañado.	C. Haga que un electricista calificado diagnostique y corrija el problema conforme a los códigos pertinentes eléctricos y de construcción.
	D. El motor soplador tiene un corto interno.	D. Reemplace el motor soplador.
	E. El control tiene un corto interno.	E. Reemplace el control.
3. El teclado está iluminado, pero no responde a los iconos o anillo externo.	A. El programa del control está bloqueado.	A. Oprima el botón de restablecer el interruptor GFCI o RCD.
	B. El arnés de cableado del enchufe P5 desde el teclado al control está suelto, desconectado o dañado.	B. Revise que los cables estén correctamente conectados. Reemplace el arnés de cables de ser necesario.
	C. El teclado no funciona.	C. Reemplace el teclado.
	D. El control no funciona.	D. Reemplace el control.
4. El motor soplador no se enciende.	A. El cable eléctrico desde el motor soplador al control está suelto, desconectado o dañado.	A. Revise que los cables estén correctamente conectados.
	B. El motor soplador no funciona.	B. Reemplace el motor soplador.

**Guía para resolver problemas (cont.)**

<b>Síntomas</b>	<b>Causas probables</b>	<b>Acción recomendada</b>
	<b>C.</b> El control no funciona.	<b>C.</b> Reemplace el control.
<b>5.</b> El motor soplador deja de funcionar y no se enciende inmediatamente. El teclado está iluminado.	<b>A.</b> El motor soplador se ha sobrecalentado y se ha activando el dispositivo de protección.	<b>A.</b> Verifique que no haya obstrucciones en la entrada de aire. Elimine la obstrucción y deje enfriar el motor. Consulte "El teclado está iluminado, pero no responde a los iconos o anillo externo. El motor soplador no se pone en funcionamiento".
<b>6.</b> El motor soplador arranca, pero no todos los jets de aire burbujan.	<b>A.</b> La velocidad del motor soplador es demasiado baja.	<b>A.</b> Aumente el valor establecido de velocidad al motor soplador.
	<b>B.</b> La entrada de aire del soplador está obstruida.	<b>B.</b> Limpie la entrada de aire del soplador.
	<b>C.</b> El motor soplador no funciona.	<b>C.</b> Reemplace el motor soplador.
	<b>D.</b> La descarga del motor soplador está obstruida.	<b>D.</b> Elimine la obstrucción.
	<b>E.</b> La válvula de retención no funciona.	<b>E.</b> Reemplace la válvula de retención.
	<b>F.</b> Los jets de aire están obstruidos.	<b>F.</b> Utilice un cepillo interdental pequeño y vinagre blanco. Sumerja el cepillo en el vinagre, cepille el orificio, enjuague el cepillo en agua limpia y luego utilice el cepillo enjuagado para enjuagar el orificio.
	<b>G.</b> Algunas zonas están cerradas.	<b>G.</b> Ponga todas las zonas en funcionamiento.
<b>7.</b> El motor soplador funciona pero no se forman burbujas de aire.	<b>A.</b> La entrada de aire del soplador está obstruida.	<b>A.</b> Limpie la entrada de aire del soplador.
	<b>B.</b> Los jets de aire están obstruidos.	<b>B.</b> Utilice un cepillo interdental pequeño y vinagre blanco. Sumerja el cepillo en el vinagre, cepille el orificio, enjuague el cepillo en agua limpia y luego utilice el cepillo enjuagado para enjuagar el orificio.
	<b>C.</b> La válvula de retención no funciona.	<b>C.</b> Reemplace la válvula de retención.
	<b>D.</b> El motor soplador no funciona.	<b>D.</b> Reemplace el motor soplador.
	<b>E.</b> El control no funciona.	<b>E.</b> Reemplace el control.
<b>8.</b> El motor soplador funciona, se forman burbujas de aire, los controles de zona funcionan, pero la función de velocidad variable no funciona.	<b>A.</b> La entrada de aire del soplador está obstruida.	<b>A.</b> Limpie la entrada de aire del soplador.
	<b>B.</b> El arnés de cableado está flojo, desconectado o dañado.	<b>B.</b> Revise que los cables estén correctamente conectados. Reemplace el arnés de cables de ser necesario.
	<b>C.</b> El teclado no funciona.	<b>C.</b> Reemplace el teclado.
	<b>D.</b> El motor soplador no funciona.	<b>D.</b> Reemplace el motor soplador.
	<b>E.</b> El control no funciona.	<b>E.</b> Reemplace el control.
<b>9.</b> El motor soplador no se apaga cuando se oprime el icono de encendido/apagado en el teclado.	<b>A.</b> El teclado no funciona.	<b>A.</b> Reemplace el teclado.
	<b>B.</b> El arnés de cableado está flojo, desconectado o dañado.	<b>B.</b> Revise que los cables estén correctamente conectados. Reemplace el arnés de cables de ser necesario.
	<b>C.</b> El control no funciona.	<b>C.</b> Reemplace el control.

**Guía para resolver problemas (cont.)**

<b>Síntomas</b>	<b>Causas probables</b>	<b>Acción recomendada</b>
10. Una zona no produce burbujas de aire pero otra zona funciona con normalidad.	A. La zona no está seleccionada.	A. Seleccione la zona conforme a las instrucciones en la sección "Instrucciones de funcionamiento".
	B. La válvula de mariposa no funciona.	B. Reemplace la válvula de mariposa.
	C. El arnés de cableado está flojo, desconectado o dañado.	C. Revise que los cables estén correctamente conectados. Reemplace el arnés de cables de ser necesario.
	D. El teclado no funciona.	D. Reemplace el teclado.
	E. El control no funciona.	E. Reemplace el control.
11. El modo de barrido no funciona.	A. El teclado no funciona.	A. Reemplace el teclado.
	B. El control no funciona.	B. Reemplace el control.
12. Se ha derramado agua o se han producido daños debajo de la bañera.	A. El desagüe o rebosadero tienen fugas.	A. Repare o reemplace el montaje del desagüe conforme a las instrucciones del fabricante.
	B. La pared, cubierta, y/o la puerta de la ducha no se han sellado correctamente.	B. Aplique sellador de silicona en las juntas entre la bañera y la pared, cubierta o puerta.
	C. Tubería o canales de aire fisurados.	C. Consulte al fabricante.
13. La bañera no se purga automáticamente.	A. Los cables del sensor de nivel están desconectados.	A. Conecte los cables del sensor de nivel.

**Cromoterapia (si está equipada)**

<b>Síntomas</b>	<b>Causas probables</b>	<b>Acción recomendada</b>
14. Las luces de cromoterapia no funcionan.	A. Los cables/conexiones están flojos, desconectados o dañados.	A. Revise que los cables estén correctamente conectados. Reemplace los cables de ser necesario.
	B. El control no funciona.	B. Reemplace el control.
15. El ciclo de cromoterapia no funciona.	A. El montaje del arnés de cromoterapia no funciona.	A. Reemplace el montaje del arnés de cromoterapia.

USA/Canada: 1-800-4KOHLER

México: 001-800-456-4537

[kohler.com](http://kohler.com)

THE BOLD LOOK  
OF **KOHLER**®

©2012 Kohler Co.

1198327-2-A