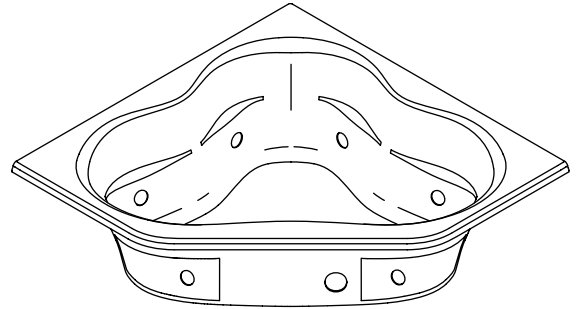


Features

- Acrylic
- For corner installation
- Drop-in rim style or tile flange, right-hand pump
- 6 individually adjustable ProFlex™ hydro-massage jets
- 1-1/4 hp pump with air switch and grounding-type plug-in cord
- Molded lumbar supports and armrests
- 60" (152.4 cm) x 60" (152.4 cm) x 21" (53.3 cm)

CORNER BATH WHIRLPOOL

K-1160
ALSO K-1160-F



Codes/Standards Applicable

Specified model meets or exceeds the following:

- ANSI Z124.1
- IAPMO/UPC
- Underwriter's Laboratories (UL)
- ASME A112.19.7M

Colors/Finishes

- 0: White
- Other: Refer to Price Book for additional colors/finishes

Accessories:

- CP: Polished Chrome
- 0: White
- Other: Refer to Price Book for additional colors/finishes
- NA: None applicable

Specified Model

Model	Description	Colors/Finishes	
K-1160	Whirlpool, drop-in rim style, right-hand pump (shown)	<input type="checkbox"/> 0 White	<input type="checkbox"/> Other_____
K-1160-F	Whirlpool, tile flange, right-hand pump	<input type="checkbox"/> 0 White	<input type="checkbox"/> Other_____
Recommended Accessory			
K-11677	Drain	<input type="checkbox"/> CP	
Optional Accessories			
K-9696	Jet trim kit (Metal finishes)	<input type="checkbox"/> CP	<input type="checkbox"/> Other_____
K-1491	Pillow	<input type="checkbox"/> 0 White	<input type="checkbox"/> Other_____

Product Specification:

The corner bath whirlpool shall be 60" (152.4 cm) in length, 60" (152.4 cm) in width, and 21" (53.3 cm) in height. Drop-in rim style or tile flange with right-hand pump bath whirlpool shall be made of acrylic. Bath whirlpool shall have 1-1/4 hp pump with air switch and grounding type plug-in cord. Bath whirlpool shall have molded lumbar supports and armrests. Bath whirlpool shall be Kohler Model K-1160-_____.

TERCET™

Technical Information

Fixture*:	basin area	top area	weight
Bathing well	52" (132.1 cm) x 38-3/4" (98.4 cm)	61" (154.9 cm) x 46-1/4" (117.5 cm)	127 lbs. (57.6 kg)
	water depth	capacity	
To overflow	15" (38.1 cm)	96 gal. (363.6 L)	

* Approximate measurements for comparison only.

Pump:	HP	V	Hz	A
1-speed	1-1/4	120	60	7.5
Minimum access panel pump/control:				
20" (50.8 cm) W x 15" (38.1 cm) H			required	

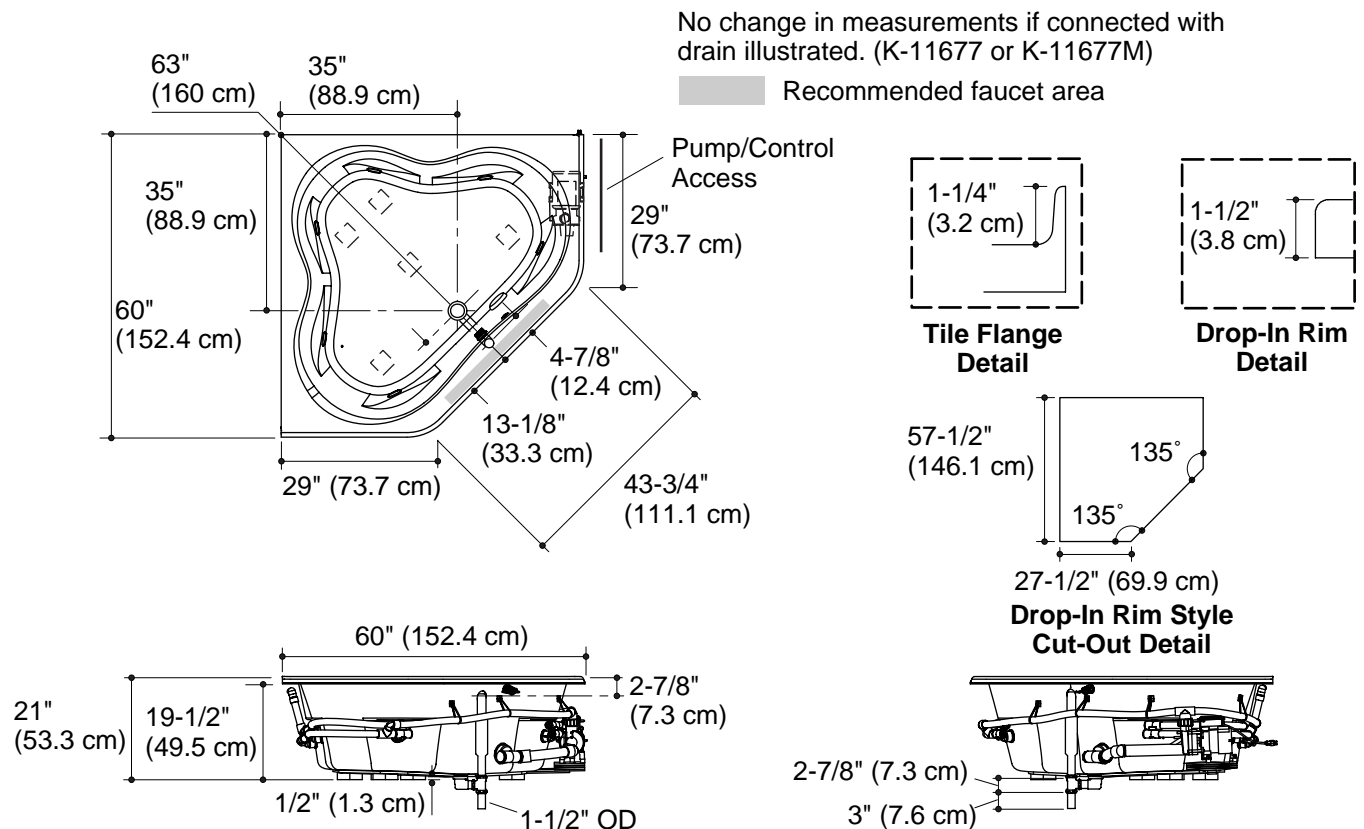
Required Electrical Service

Dedicated circuit required, protected with Class A Ground-Fault Circuit-Interrupter (GFCI):	
Pump/control	120 V, 15 A, 60 Hz
Locate the outlet behind the whirlpool and within 24" (61 cm) of the pump.	

Installation Notes

Install this product according to the installation guide.

Floor support under whirlpool must provide for a minimum of 80 lbs./square foot (390 kg./square meter) loading.



No change in measurements if connected with drain illustrated. (K-11677 or K-11677M)

Recommended faucet area

Product Diagram