

CUSTOM BATH WHIRLPOOL K-1158-HB ALSO K-1158-HE/-HJ

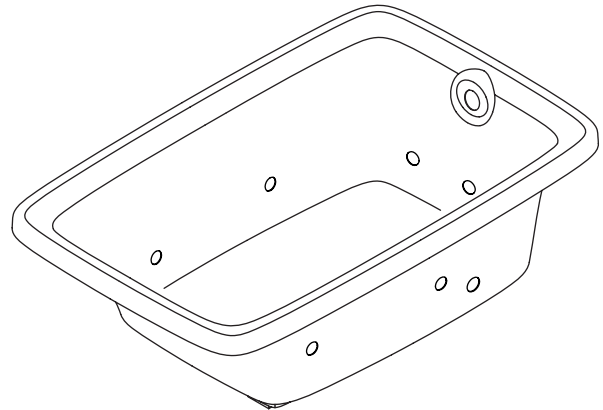
Features

- Acrylic
- 1.5 hp variable speed pump with 1.5 kW heater, and back-lit user control
- Less all trim
- 8 Flexjets™
- Custom pump locations
- 66" (167.6 cm) x 42" (106.7 cm) x 22" (55.9 cm)

Codes/Standards Applicable

Specified model meets or exceeds the following:

- IAPMO/UPC
- Underwriter's Laboratories (UL)
- ANSI Z124.1
- ASME A112.19.7M



Colors/Finishes

- 0: White
- Other: Refer to Price Book for additional colors/finishes

Accessories:

- CP: Polished Chrome
- PB: Polished Brass
- Other: Refer to Price Book for additional colors/finishes

Specified Model

Model	Description	Colors/Finishes		
K-1158-HB	Whirlpool, custom pump (shown)	<input type="checkbox"/> 0 White	<input type="checkbox"/> Other_____	
K-1158-HE	Whirlpool, custom pump	<input type="checkbox"/> 0 White	<input type="checkbox"/> Other_____	
K-1158-HJ	Whirlpool, custom pump	<input type="checkbox"/> 0 White	<input type="checkbox"/> Other_____	
Required Accessories				
K-9698	Jet trim kit	<input type="checkbox"/> CP	<input type="checkbox"/> PB	<input type="checkbox"/> Other_____
Recommended Accessories				
K-7161-AF	Adjustable pop-up drain	<input type="checkbox"/> CP	<input type="checkbox"/> PB	<input type="checkbox"/> Other_____

Product Specification

The bath whirlpool shall be 66" (167.6 cm) in length, 42" (106.7 cm) in width, and 22" (55.9 cm) in height. Bath whirlpool shall be made of acrylic. Bath whirlpool shall have 8 Flexjets, 1.5 hp variable speed custom pump, 1.5 kW heater, and back-lit user control. Bath whirlpool shall be less all trim. Bath whirlpool shall have custom pump locations. Bath whirlpool shall be Kohler Model K-1158-_____-_____.

BANCROFT™ 5.5'

Technical Information

Required accessories:				
Jet trim kit	K-9698			
Cutout template	1043292-7			
Fixture:*	basin area	top area	weight	
Bathing well	46" (116.8 cm) x 30" (76.2 cm)	57" (144.8 cm) x 34" (86.4 cm)	130 lbs. (59 kg)	
	water depth	capacity		
To overflow	16" (40.6 cm)	95 gal. (359.6 L)		
* Approximate measurements for comparison only.				
Pump	Heater	V	Hz	A
1.5 hp	1.5 kW	240	50/60	11
Minimum access panel:				
Pump/ control	34" (86.4 cm) W x 15" (38.1 cm) H	required		

Required Electrical Service

Dedicated circuit required, protected with Class A Ground-Fault Circuit-Interrupter (GFCI) or Earth-Leakage Circuit-Breaker (ELCB):	
Pump/control	220/240 V, 20 A, 50/60 Hz

Installation Notes

Install this product according to the installation guide.

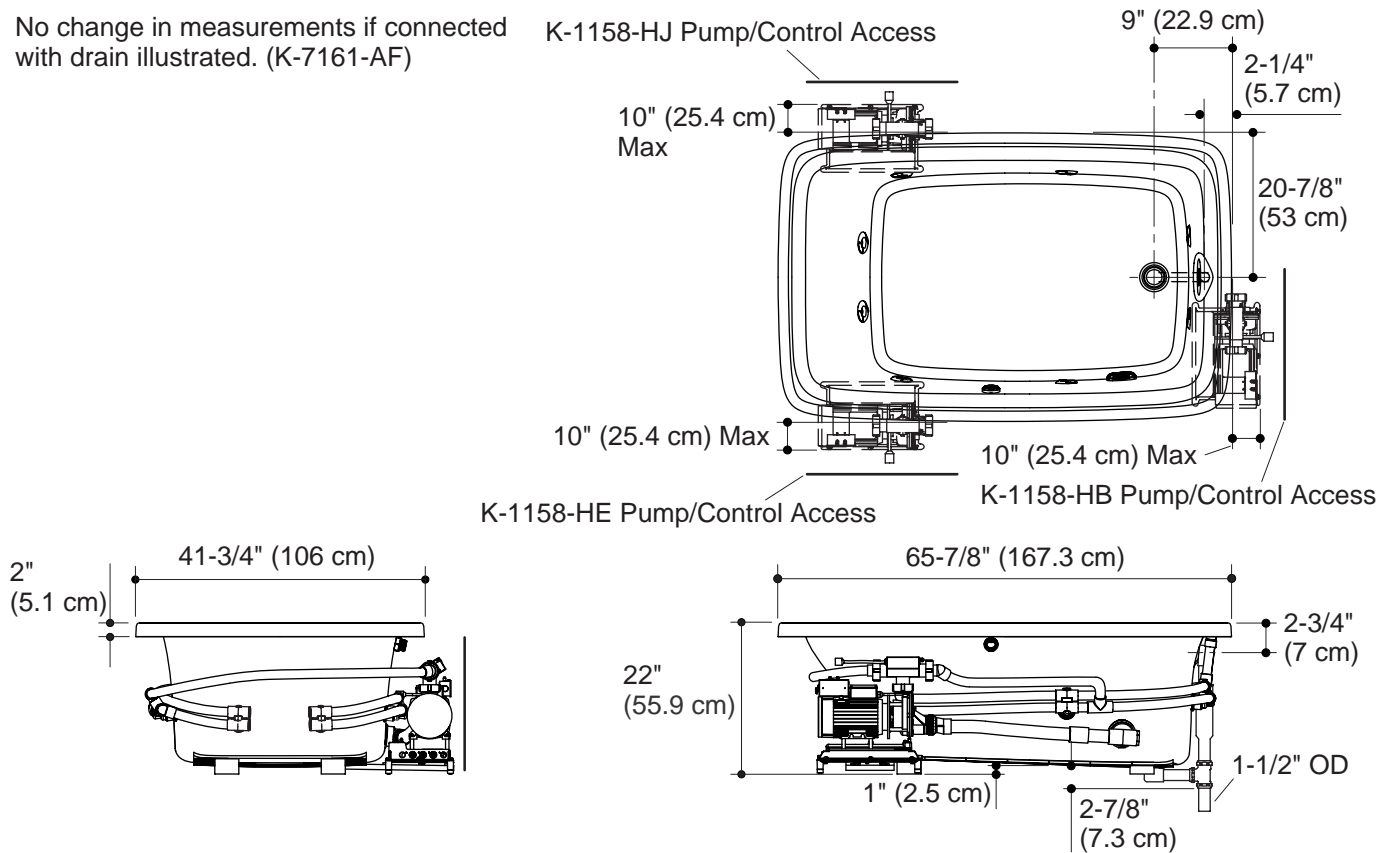
Floor support under whirlpool must provide for a minimum of 1800 lbs. (816.5 kg)

Hot water supply should be 70% of capacity or greater. Installations will vary.

This bath is designed for drop-in installation only. It is not suited for use in a three wall alcove with an overhead shower.

Pump must be relocated to custom position at the time of installation. Provide adequate clearance.

No change in measurements if connected with drain illustrated. (K-7161-AF)



Product Diagram