

### Features

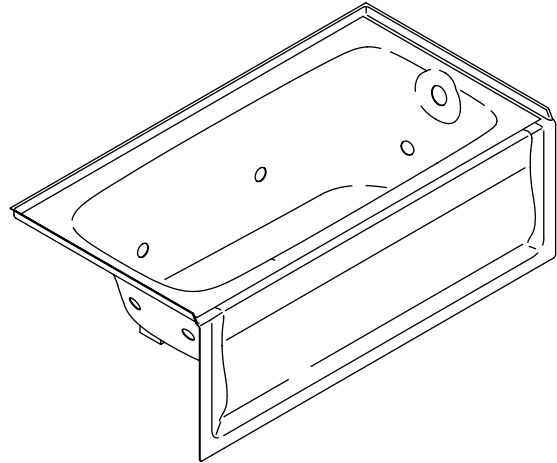
- Integral apron with removable access panel
- Acrylic
- 8 Kohler jets, color matched
- 1-1/4 hp pump with air switch and grounding-type plug-in cord
- Left or right drain
- Integral tile flange
- In-line heater
- Integral lumbar support
- 60" (152.4 cm) x 32" (81.3 cm) x 20" (50.8 cm)

### Codes/Standards Applicable

Specified model meets or exceeds the following:

- ANSI Z124.1
- IAPMO/UPC
- Underwriter's Laboratories (UL)
- ASME A112.19.7M
- Listed in State of Massachusetts

### BATH WHIRLPOOL WITH HEATER K-1151-HL/HR



### Colors/Finishes

- 0: White
- Other: Refer to Price Book for additional colors/finishes

### Accessories:

- CP: Polished Chrome
- PB: Polished Brass
- Other: Refer to Price Book for additional colors/finishes

### Specified Model

Model	Description	Colors/Finishes		
K-1151-HL	Bath whirlpool with heater, left drain and integral apron	<input type="checkbox"/> 0 White	<input type="checkbox"/> Other_____	
K-1151-HR	Bath whirlpool with heater, right drain and integral apron (shown)	<input type="checkbox"/> 0 White	<input type="checkbox"/> Other_____	
<b>Recommended Accessories</b>				
K-11677	Drain	<input type="checkbox"/> CP	<input type="checkbox"/> PB	<input type="checkbox"/> Other_____

### Product Specification:

The bath whirlpool shall be 60" (152.4 cm) in length, 32" (81.3 cm) in width, and 20" (50.8 cm) in height. Bath whirlpool shall be made of acrylic. Bath whirlpool shall have 8 color-matched Kohler jets, and 1.25 hp pump. Bath whirlpool shall have integral flange and integral lumbar support. Bath whirlpool shall have a 1.5 kW in-line heater. Bath whirlpool shall be supplied with a plug-in cord. Bath whirlpool shall be available with left or right drain. Bath whirlpool shall be Kohler Model K-1151-\_\_\_\_-\_\_\_\_.

# BANCROFT™ 5'

## Technical Information

Left drain		K-1151-HL	shown
Right drain		K-1151-HR	not shown
Fixture:*	basin area	top area	weight
Bathing well	45" (114.3 cm) x 22" (55.9 cm)	54" (137.2 cm) x 25" (63.5 cm)	140 lbs. (63.5 kg)
	water depth	capacity	
To overflow	15" (38.1 cm)	60 gal. (227.1 L)	
* Approximate measurements for comparison only.			

Pump:	Hp	V	Hz	A
1-speed	1.25	120	60	7
Heater:	kW	V	Hz	A
	1.5	120	60 Hz	12.5

## Required Electrical Service

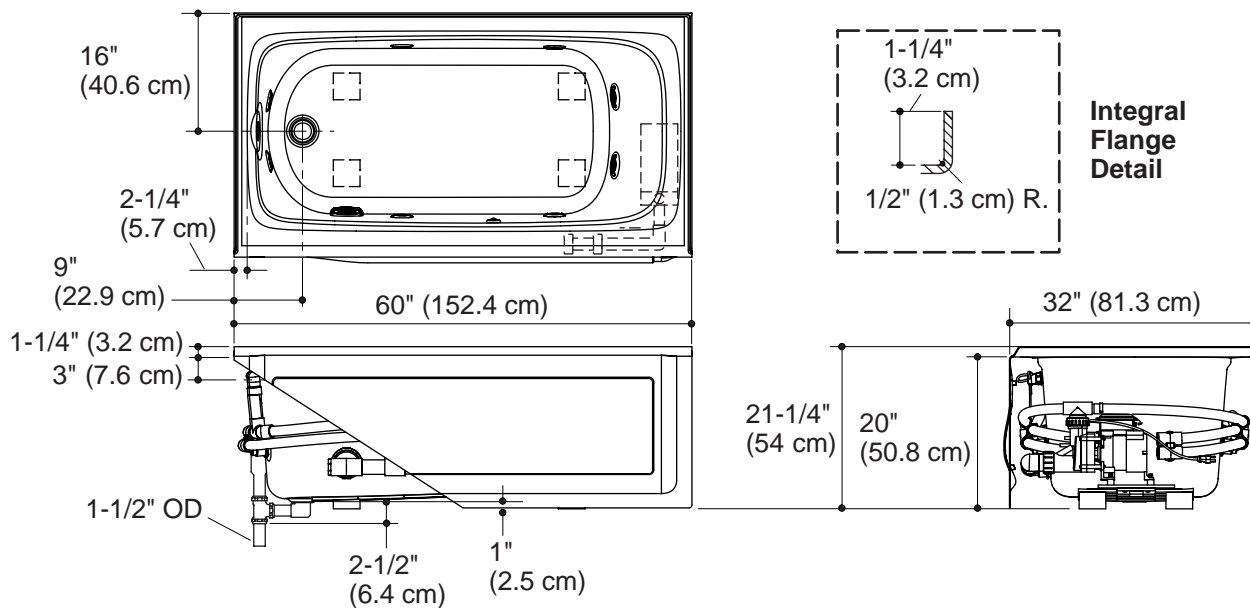
Two dedicated circuits required, each protected with Class A Ground-Fault Circuit-Interrupter (GFCI):	
Pump/control	120 V, 15 A, 60 Hz
Heater	120 V, 15 A, 60 Hz
Locate the outlets behind the whirlpool and within 24" (61 cm) of the pump and heater.	

## Installation Notes

Install this product according to the installation guide.

Floor support under whirlpool must provide for a minimum of 80 lbs./square foot (390 kg/square meter) loading.

No change in measurements if connected with drain illustrated. (K-11677)



## Product Diagram