

### Features

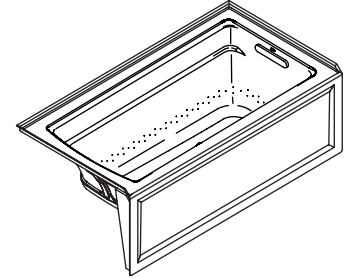
- Acrylic
- Integral apron with removable access panel
- 1 hp blower motor with 300 W heater, and electronic user control
- Blower motor is supplied with a grounding-type plug-in cord
- Left or right drain
- 120 BubbleMassage™ airjets
- Integral tile flange
- Slotted overflow for maximum bathing depth
- Low threshold height
- Integral lumbar support
- Armrests
- 60" (152.4 cm) x 32" (81.3 cm) x 19" (48.3 cm)

### Codes/Standards Applicable

Specified model meets or exceeds the following:

- ANSI Z124.1.2
- IAPMO/UPC IGC 171
- Underwriters Laboratories (UL)

### 5' (1.5 m) BUBBLEMASSAGE™ BATH WITH AIRJETS K-1122-GRA ALSO K-1122-GLA



### Colors/Finishes

- 0: White
- Other: Refer to Price Book for additional colors/finishes

### Accessories:

- CP: Polished Chrome
- Other: Refer to Price Book for additional colors/finishes
- NA: None applicable

### Specified Model

Model	Description	Colors/Finishes	
K-1122-GLA	Integral apron, left drain	<input type="checkbox"/> 0	<input type="checkbox"/> Other_____
K-1122-GRA	Integral apron, right drain	<input type="checkbox"/> 0	<input type="checkbox"/> Other_____
<b>Required Accessories</b>			
K-7272	Drain – above or through-the-floor installation	<input type="checkbox"/> CP	<input type="checkbox"/> Other_____
<b>Recommended Accessories</b>			
K-1446	Remote blower installation kit		NA

### Product Specification

The acrylic bath with airjets shall be 60" (152.4 cm) in length, 32" (81.3 cm) in width, and 19" (48.3 cm) in height. Bath shall have an integral apron and removable access panel. Bath shall have a 1 hp blower motor with 300 W heater and an electronic user control. The blower motor shall have a grounding-type plug-in cord. Bath shall have left or right drain. Bath shall have 120 BubbleMassage airjets. Bath shall have an integral tile flange. Bath shall have slotted overflow for maximum bathing depth, low threshold height, and integral lumbar support. Bath shall have armrests. The bath with airjets shall be Kohler Model K-1122-\_\_\_\_\_-\_\_\_\_\_.

# ARCHER™

## Technical Information

Fixture*:	
Basin area bottom	45-1/8" (114.6 cm) x 19-11/16" (50 cm)
Basin area top	52-3/4" (134 cm) x 25-5/16" (64.3 cm)
Weight	100 lbs (45.4 kg)
To overflow	
Water depth	15" (38.1 cm)
Capacity	58 gal (219.5 L)
* Approximate measurements for comparison only.	

Blower motor:	Heater	V	Hz	A
1 hp	300 W	120	60	5

## Required Electrical Service

Dedicated circuit required, protected with Class A Ground-Fault Circuit-Interrupter (GFCI):	
Blower motor:	120 V, 15 A, 60 Hz
Blower motor is supplied with a 24" (61 cm) grounding-type plug-in cord.	

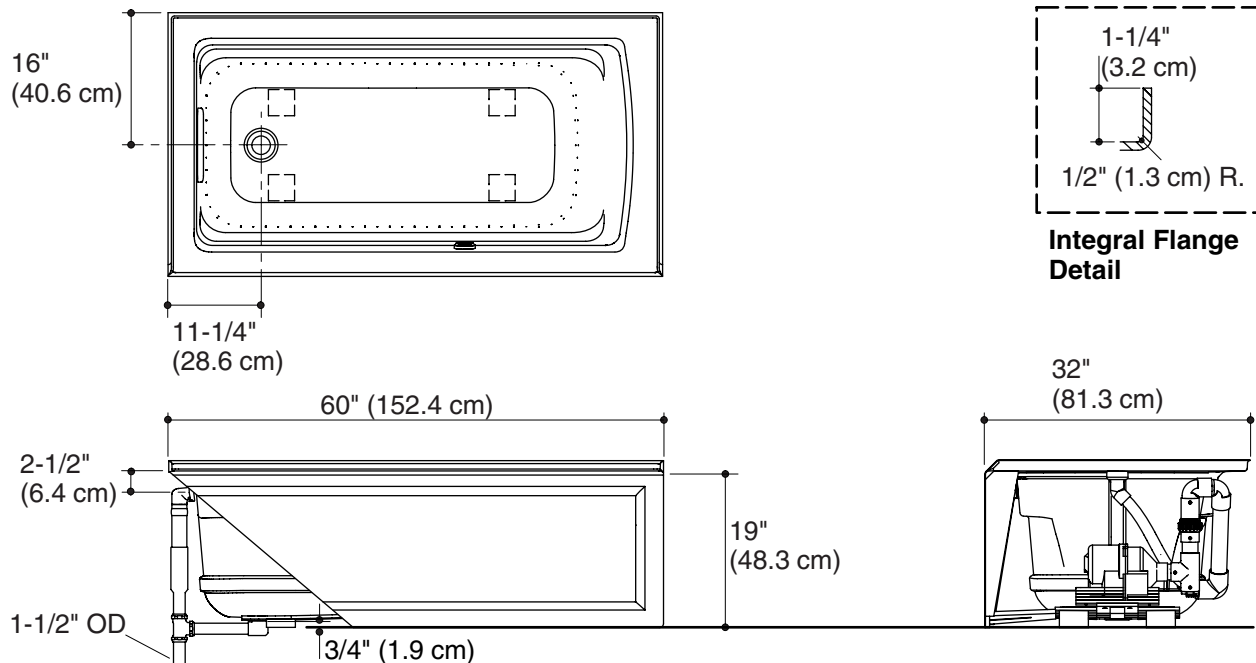
## Installation Notes

Install this product according to the installation guide.

Floor support under this product must provide for a minimum of 46 lbs/square foot (223 kg/square meter) loading.

The hot water supply should be 70% of the capacity of the bath or greater. Installations will vary.

No change in measurements if connected with drain illustrated. (K-7272)



## Product Diagram

ARCHER™ 5' (1.5 m) BUBBLEMASSAGE™ BATH WITH AIRJETS

Page 2 of 2  
1071361-4-B

THE BOLD LOOK  
OF **KOHLER**®