



Features

- Integral flange.
- Right drain.
- Integral lumbar support and armrests for comfort.
- Integral apron.
- 60" (1524 mm) x 42" (1067 mm) x 21" (533 mm)

Material

- Acrylic

Installation

- Alcove

Recommended Accessories

- K-11677 Bath Drain
- K-7166-AF Bath Drain
- K-1491 Bath/Whirlpool Pillow
- K-1601 Bath/Whirlpool Footstop
- K-7213 27" Cable Bath Drain
- K-7214 27" Cable Bath Drain
- K-7265 Clearflo Bath Drain
- K-37382 45" Rough-in Cable Bath Drain



Codes/Standards

- CSA B45.5/IAPMO Z124
- ASTM E162
- ASTM E662
- Greenguard UL 2818 - Gold




KOHLER® One-Year Limited Warranty

See website for detailed warranty information.

Available Color/Finishes

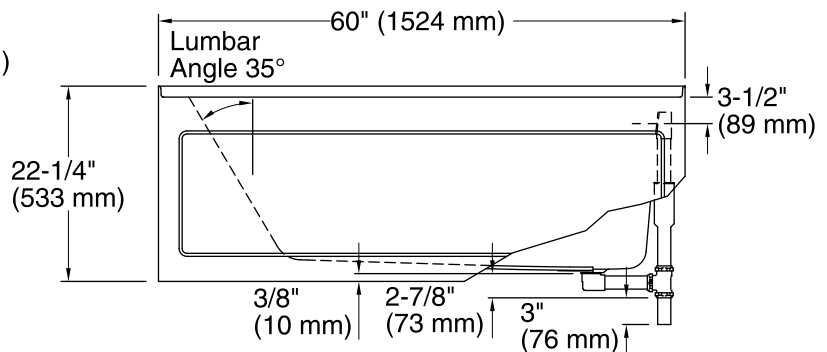
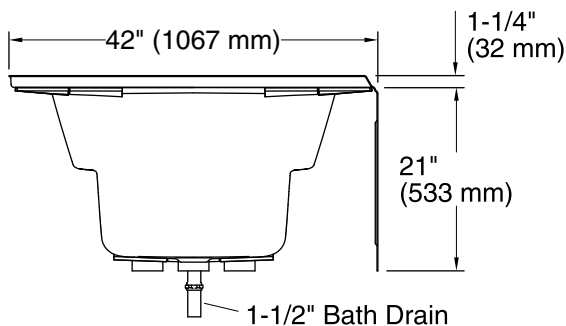
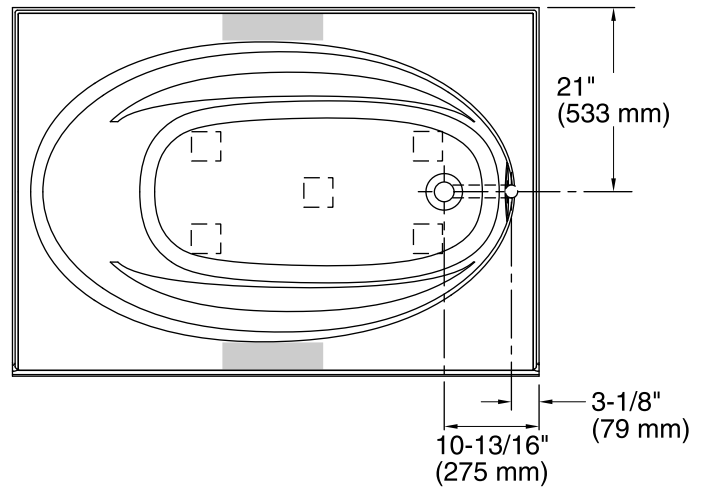
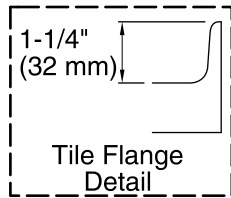
Color tiles intended for reference only.

| Color | Code | Description |
|-------|------|-------------|
|-------|------|-------------|

| | | |
|--|----|---------|
|  | 0 | White |
|  | 96 | Biscuit |
|  | 47 | Almond |

No change in measurements if connected with drain illustrated. (K-11677)

■ Recommended faucet area



Technical Information

All product dimensions are nominal.

| | |
|------------------------|---|
| Installation: | 3-Wall Alcove |
| Drain location: | Right |
| Basin area, bottom: | 41" x 20-1/2" (1041 mm x 521 mm) |
| Basin area, top: | 53-1/2" x 32-1/8" (1359 mm x 816 mm) |
| Weight: | 80 lbs (36.3 kg) |
| Minimum floor load: | 33 lbs/ft ² (161.1 kg/m ²) |
| Water depth: | 15" (381 mm) |
| Water capacity: | 57 gal (215.8 L) |
| Minimum flat for door: | 3-1/4" (83 mm) |

Notes

Measure your actual product for rough-in details.

Install this product according to the installation instructions.

The hot water supply should be 70% of the capacity of the bath or greater. Installations will vary.

If installing a rim-mount faucet, make sure there is no interference with drain overflow before drilling any holes. Consult local and national codes for minimum air gap requirements if installing a spout on the faucet deck.