

### Features

- Acrylic
- Pump with air switch and grounding-type plug-in cord
- 8 color-matched Kohler hydro-massage jets
- Integral apron with removable access panel
- Integral lumbar support and armrests to cradle the body
- Left or right drain
- Textured bottom surface
- Three-side integral tile flange for alcove installation
- 60" (152.4 cm) x 32" (81.3 cm) x 20" (50.8 cm)

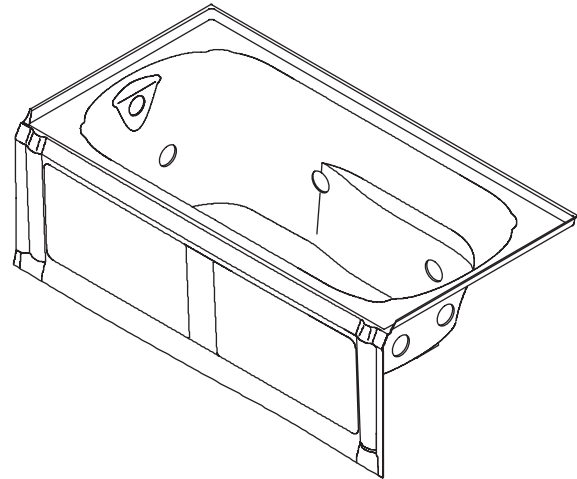
### Codes/Standards Applicable

Specified model meets or exceeds the following:

- ANSI Z124.1.2
- ASME A112.19.7M
- UL 1795

### BATH WHIRLPOOL WITH INTEGRAL APRON

**K-1109-LA**  
ALSO K-1109-RA



### Colors/Finishes

- 0: White
- Other: Refer to Price Book for additional colors/finishes

### Accessories

- CP: Polished Chrome
- PB: Vibrant® Polished Brass
- Other: Refer to Price Book for additional colors/finishes

### Specified Model

Model	Description	Colors/Finishes	
K-1109-LA	Bath whirlpool with integral apron – left drain (shown)	<input type="checkbox"/> 0	<input type="checkbox"/> Other _____
K-1109-RA	Bath whirlpool with integral apron – right drain	<input type="checkbox"/> 0	<input type="checkbox"/> Other _____

Recommended Accessories				
K-7161-AF	Adjustable pop-up drain	<input type="checkbox"/> CP	<input type="checkbox"/> PB	<input type="checkbox"/> Other _____
K-7213	Clearflo bath cable drain with PVC tubing	<input type="checkbox"/> CP		<input type="checkbox"/> Other _____
K-7214	Clearflo bath cable drain without PVC tubing	<input type="checkbox"/> CP		<input type="checkbox"/> Other _____

### Product Specification

The acrylic bath whirlpool shall be 60" (152.4 cm) in length, 32" (81.3 cm) in width, and 20" (50.8 cm) in height. Product shall be three-side integral tile flange for alcove installation. Product shall have 8 color-matched Kohler jets and a pump with air switch and grounding-type plug-in cord. Product shall feature integral lumbar support and arm rests. Product shall feature an integral apron with removable access panel and a textured bottom surface. Product shall be available with a left or right drain. Bath whirlpool shall be Kohler Model K-1109-\_\_\_\_-\_\_\_\_.

# PORTRAIT®

## Optional Accessories

K-1491	Pillow	<input type="checkbox"/> 0	<input type="checkbox"/> Other_____
K-1601	Footstop	<input type="checkbox"/> 0	<input type="checkbox"/> Other_____

## Technical Information

Fixture*:			
Bathing well			
Basin area, bottom	42" (106.7 cm) x 20" (50.8 cm)		
Basin area, top	51" (129.5 cm) x 24" (61 cm)		
Weight	135 lbs (61.2 kg)		
To overflow			
Water depth	14" (35.6 cm)		
Capacity	60 gal (227.1 L)		
* Approximate measurements for comparison only.			
Pump:	V	Hz	A
1-speed	120	60	7

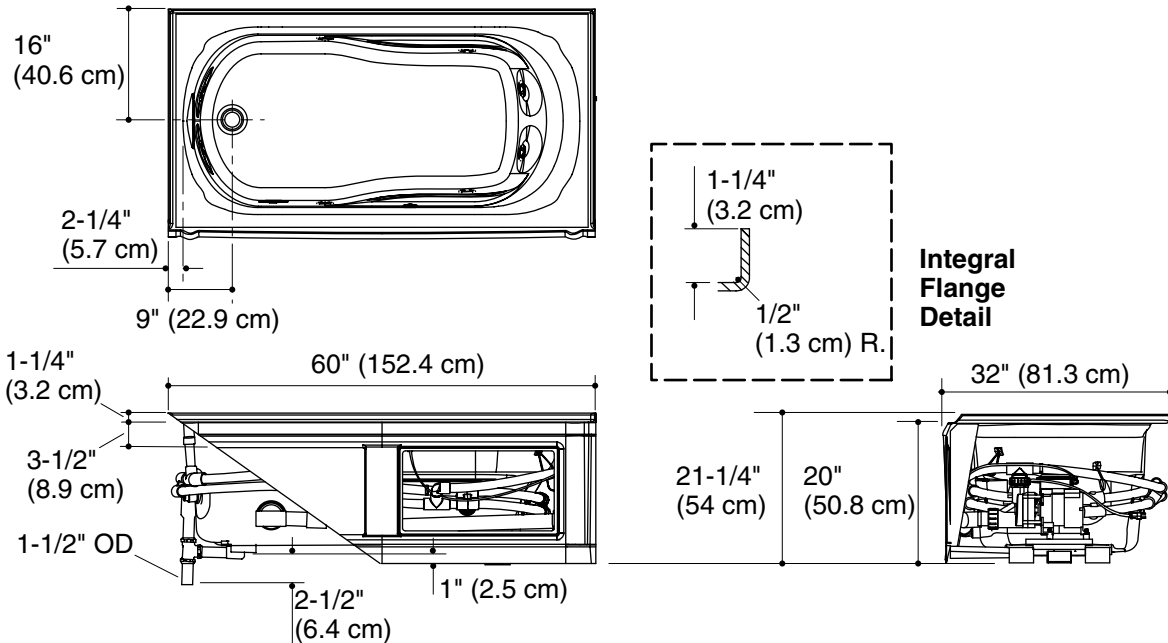
## Required Electrical Service

Dedicated circuit required, protected with Class A Ground-Fault Circuit-Interrupter (GFCI):	
Pump/control	120 V, 15 A, 60 Hz
Locate the outlet behind the whirlpool and within 24" (61 cm) of the pump and heater.	

## Installation Notes

Install this product according to the installation guide.

Floor support under whirlpool must provide for a minimum of 50 lbs/square foot (242 kg/square meter) loading.



No change in measurements if connected with drain illustrated. (K-7161-AF or K-7161M-AF)

## Product Diagram