

Features

- Includes faceplate with handle and shower arm with flange.
- Single handle controls both on/off activation and temperature settings.
- Lever handle.
- For use with any KOHLER showerhead (sold separately).
- Complements Tempered faucets and accessories.



Material

- Premium material construction with metal handle ensures reliability and durability.
- KOHLER finishes resist corrosion and tarnishing.



Installation

- Trim only; requires valve to complete installation (sold separately).

Required Products/Accessories

- K-8304-K Valve Body & Cartridge Kit Complete
- or
- K-8304-KS Valve Body & Cartridge Kit Complete
- or
- K-8304-PS Valve Body & Cartridge Kit Complete
- or
- K-8304-PX Valve Body & Cartridge Kit Complete
- or
- K-8304-US Valve Body & Cartridge Kit Complete
- or
- K-8304-UX Valve Body & Cartridge Kit Complete
- or
- K-P8304-K Valve body and cartridge kit complete
- or
- K-P8304-KS Valve Body & Cartridge Kit Complete
- or
- K-P8304-SWX Valve Body & Cartridge Kit Complete
- or
- K-8300-K Valve Body Rough-In
K-8305 Pressure Balance Cartridge
- or
- K-8300-KS Valve Body Rough-In
K-8305 Pressure Balance Cartridge
- or
- K-8300-PX Valve Body Rough-In
K-8305 Pressure Balance Cartridge
- or
- K-8300-PS Valve Body Rough-In
K-8305 Pressure Balance Cartridge
- or
- K-P8300-K Valve Body Rough-In
K-P8305 Pressure Balance Cartridge
- or
- K-P8300-KS Valve Body Rough-In

Codes/Standards

ASME A112.18.1/CSA B125.1

KOHLER® Faucet Lifetime Limited Warranty

See website for detailed warranty information.

Available Colors/Finishes

Color tiles intended for reference only.

Color	Code	Description
	CP	Polished Chrome
	SN	Vibrant® Polished Nickel
	BN	Vibrant® Brushed Nickel
	BL	Matte Black

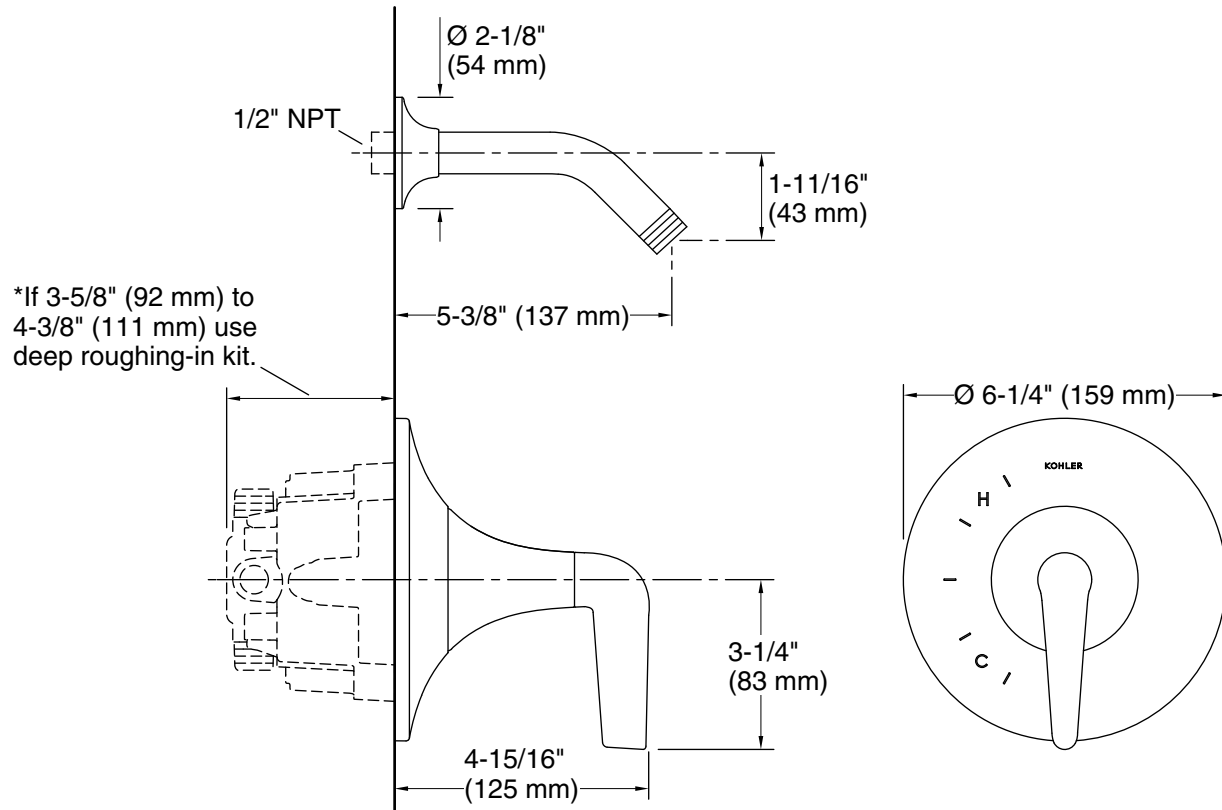
1-800-4KOHLER (1-800-456-4537)

Kohler Co. reserves the right to make revisions without notice to product specifications.

For the most current Specification Sheet, go to www.kohler.com.

5-30-2021 01:35 - US/CA

THE BOLD LOOK
OF **KOHLER**®



Technical Information

All product dimensions are nominal.

Notes

Install this product according to the installation instructions.

Install straight pipe or tube drop of 7" (178 mm) to 18" (457 mm) with single elbow between the valve and the wall-mount spout.