



LED Directional Rail Light 10326 NI | Page 407

LED DIRECTIONAL RAIL LIGHTS

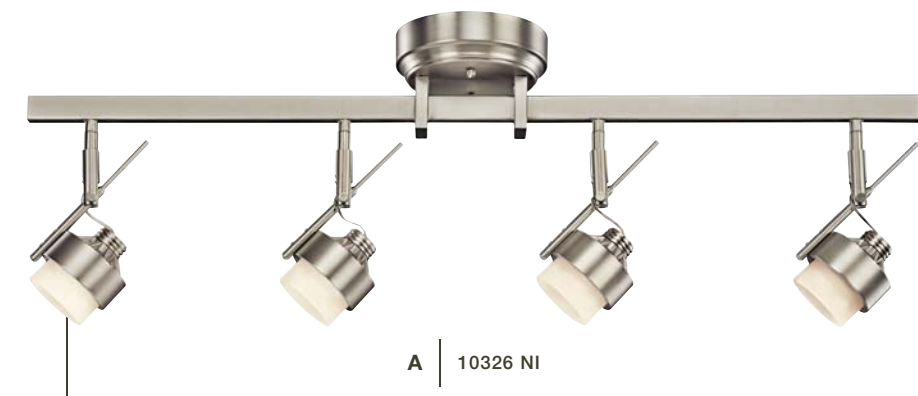
Kichler® LED lighting exceeds the standards for efficiency, reliability and beauty:

Long-life light emitting diodes (LED) provide approximately 40,000-hour lifespan to L70 (70% initial lumens) – about 15 years of standard operation – and are replaceable.

True optics: pure white light and controlled beam spread with no fade or drop off of light. High Color Rendering Index (CRI) Standard installation.

LED OUTPUT

10325 NI/OZ	1077 Lumens, 23.4 Watts 2700 Kelvin, CRI 80, 40K Life
10326 NI	1032 Lumens, 23.4 Watts 2700 Kelvin, CRI 80, 40K Life



A | 10326 NI

Satin-Etched Glass



B | 10325 NI

Clear Polished Glass with Inside Etch



B | 10325 OZ

Clear Polished Glass with Inside Light Umber Etch

LED DIRECTIONAL RAIL LIGHTS

	LED ITEM #	FINISH	LIGHT SOURCE	W	H	L	EXT.	HCWO	NOTES
A	10326	NI	(4) 6.6W	5.75	11.5	35.25	10.5	3	May be ceiling or wall mounted, 90° vertical rotation, 330° horizontal rotation.
B	10325	NI, OZ	(4) 6.6W	6.25	9.5	33.5	8.5	3.25	May be ceiling or wall mounted, 90° vertical rotation, 330° horizontal rotation.

Measurements shown in inches. U.S. & Canadian Patent Pending.

