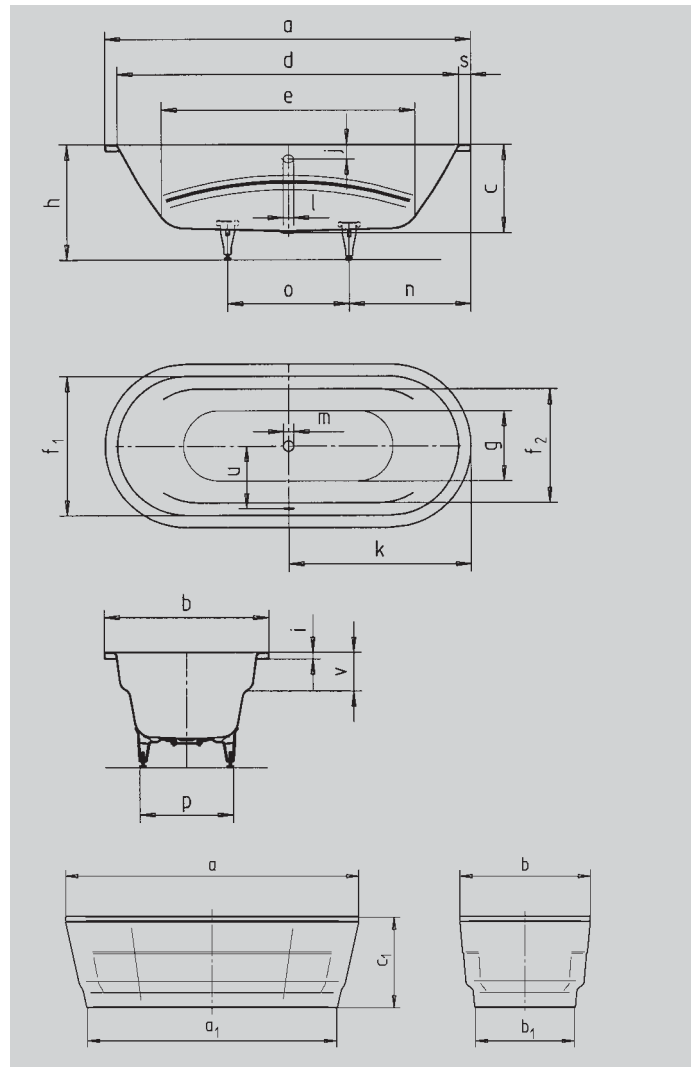


VAIO DUO OVAL VAIO DUO OVAL WITH MOULDED PANEL

- bathing with a friend: two identical back rests and centrally positioned outlet
- with integrated arm rests
- made of Kaldewei steel enamel 3.5 mm
- the moulded panel emphasises the high design standard and enables the bathtub to be free-standing



Model No.		inch	mm	inch	mm
		951	951	951-7	951-7
External length	a	70.87	1800	70.87	1800
External width	b	31.50	800	31.50	800
Depth	c	16.93	430	16.93	430
External length (bottom)	a ₁	-	-	60.24	1530
External width (bottom)	b ₁	-	-	23.94	608
Overall height with panel	c ₁	-	-	22.05	560
Internal length (top)	d	66.14	1680	66.14	1680
Internal length (bottom)	e	49.13	1248	49.13	1248
Internal width (top)	f ₁ ; f ₂	26.77; 21.85	680; 555	26.77; 21.85	680; 555
Internal width (bottom)	g	13.50	496	13.50	496
Height with feet	h	21.65-23.23	550-590	21.65-23.23	550-590
Height of rim	i	1.26	32	1.26	32
Distance top edge to centre of overflow hole	j	2.76	70	2.76	70
Distance tub edge to centre of drain hole	k	35.43	900	35.43	900
Diameter of overflow hole	l	2.05	52	2.05	52
Diameter of drain hole	m	2.05	52	2.05	52
Distance foot end of tub edge to centre of foot	n	23.62	600	23.62	600
Distance between the feet	o	23.62	600	23.62	600
Max. width of feet	p	17.91	455	17.91	455
Width of rim (foot end; lengthwise)	s	2.36	60	2.36	60
Distance between centre holes	u	13.07	332	13.07	332
Armrest depth	v	7.09	180	7.09	180
Water volume** in gallons		40.94		40.94	
Weight of the enamelled bath tub in lbs		112.44		-	

Subject to technical alterations and tolerances.
** 18.49 gallons displacement on average.

KALDEWEI