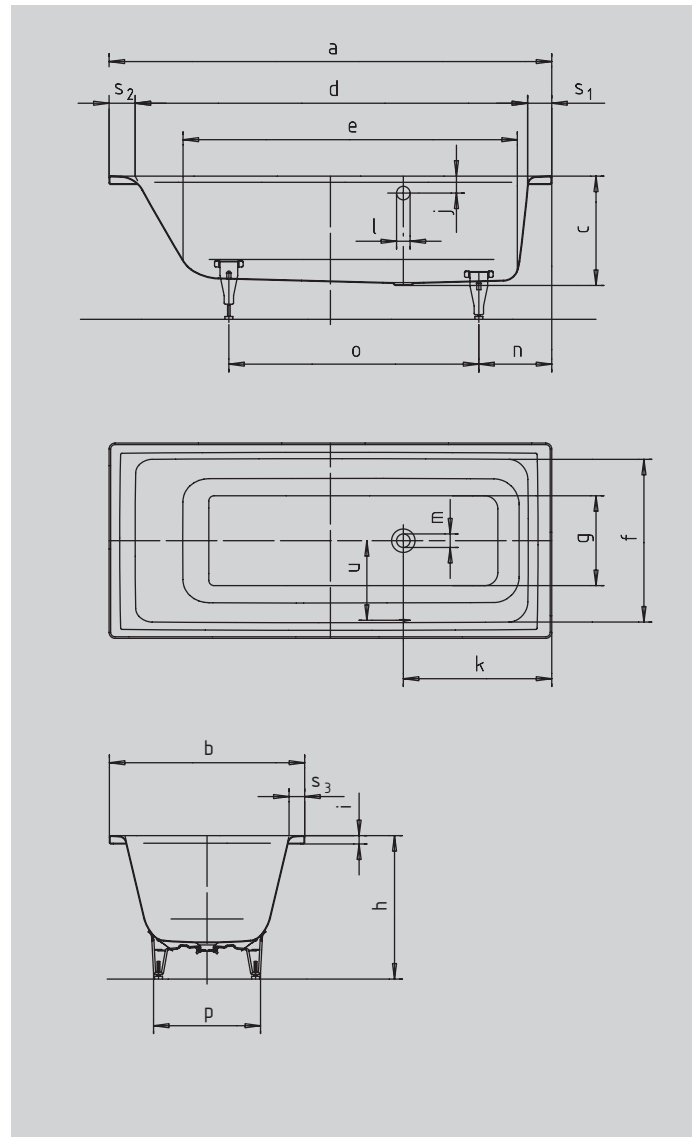


PURO WITH SIDE OVERFLOW

- straightlined, purist design
- one-seater bathtub with side overflow
- classic four-cornered model
- made of Kaldewei steel enamel 3.5 mm



		inch	mm	inch	mm	inch	mm	inch	mm	inch	mm
Model No.		684	684	688	688	656	656	692	692	657	657
External length	a	62.99	1600	66.93	1700	66.93	1700	66.93	1700	70.87	1800
External width	b	27.56	700	27.56	700	29.53	750	31.50	800	31.50	800
Depth	c	16.54	420	16.54	420	16.54	420	16.54	420	16.54	420
Internal length (top)	d	55.51	1410	59.45	1510	59.45	1510	59.45	1510	63.39	1610
Internal length (bottom)	e	46.46	1180	50.39	1280	50.39	1280	50.39	1280	54.33	1380
Internal width (top)	f	22.83	580	22.83	580	24.41	630	26.77	630	26.38	680
Internal width (bottom)	g	16.14	410	16.14	410	13.58	460	18.11	460	15.55	510
Height with feet	h	21.73-22.52	552-572			21.77-22.56	553-573			21.69-22.48	551-571
Height of rim	i	1.26	32	1.26	32	1.26	32	1.26	32	1.26	32
Distance top edge to centre of overflow hole	j	2.76	70	2.76	70	2.76	70	2.76	70	2.76	70
Distance tub edge to centre of drain hole	k	22.44	570	22.44	570	22.44	570	22.44	570	22.44	570
Diameter of overflow hole	l	2.05	52	2.05	52	2.05	52	2.05	52	2.05	52
Diameter of drain hole	m	2.05	52	2.05	52	2.05	52	2.05	52	2.05	52
Distance foot end of tub edge to centre of foot	n	17.13	435			17.52	445			18.11	460
Distance between the feet	o	27.76	705			29.53	750			32.28	820
Max. width of feet	p	16.14	410			17.52	445			19.09	485
Width of rim (foot end)	s ₁ ; s ₂ ; s ₃	3.54; 3.94; 2.36	90; 100; 60	3.54; 3.94; 2.36	90; 100; 60	3.54; 3.94	90; 100; 60	3.54; 3.94; 3.35	90; 100; 85	3.54; 3.94	90; 100; 60
Distance between centre holes	u	10.83	275	10.83	275	12.01	300	11.81	300	12.99	325
Water volume** in gallons		27.73				36.18		36.18		43.58	
Weight of the enamelled bath tub in lbs		101.41				114.64		110.23		119.05	

Subject to technical alterations and tolerances.
** 18.49 gallons displacement on average.

KALDEWEI