

## TECHNICAL SPECIFICATIONS



### Signa® 6 Whirlpool Bath

SIG7242 WCL 2XX      Signa 6 Whirlpool Bath Left Hand (B540)  
 SIG7242 WCR 2XX      Signa 6 Whirlpool Bath Right Hand (B460)  
 SIG7242 WCF 2XX      Signa 6 Whirlpool Bath Right Front Pump (DY03)

### Signa® 6 Bath

SIG7242 BCX XXX      Signa® 6 Bath (C100)

#### INSTALLATION NOTES

Refer to installation instructions included with fixture before beginning installation. Please confirm product availability and specifications before commencing with any installation work.

PRODUCT SPECIFICATIONS AND AVAILABILITY ARE SUBJECT TO CHANGE WITHOUT NOTICE.

## KEY DIMENSIONS

#### DIMENSIONS

72" L x 42" W x 22" H  
 (1829 mm) L x (1067 mm) W x (559 mm) H

#### DRAIN/OVERFLOW

A: 16-7/8" (429 mm) B: 14" (356 mm)

#### CUTOUT

70" x 40"

#### TOTAL WEIGHT

B540, B460, DY03: 826 lb (375 kg) / 39 lb/sq. ft. (192 kg/m<sup>2</sup>)

C100: 781 lb (354 kg) / 37 lb/sq. ft. (180 kg/m<sup>2</sup>)

#### OPERATING GALLONAGE

55 U.S. Gal. (208 Liters)

Max. 103 U.S. Gal. (390 Liters)

#### PRODUCT WEIGHT

B540, B460, DY03: 118 lb (54 kg)

C100: 73 lb (33 kg)

#### SKIRT MOUNTING

Not Available

#### ELECTRICAL SPECIFICATIONS

Models B540, B460, DY03 only

Requires a dedicated GFCI protected separate circuit.

Motor/Pump: 120 VAC, 15 AMP, 60 Hz.

RapidHeat™: 120 VAC, 15 AMP, 60 Hz.

HEATER (OPTIONAL) MODELS B540, B460, DY03 ONLY

Requires a dedicated GFCI protected separate circuit.

RapidHeat™: P/N S750000

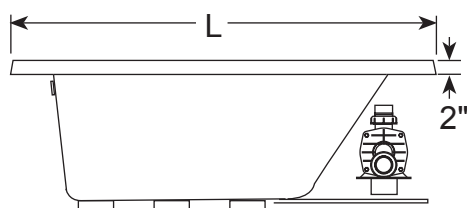
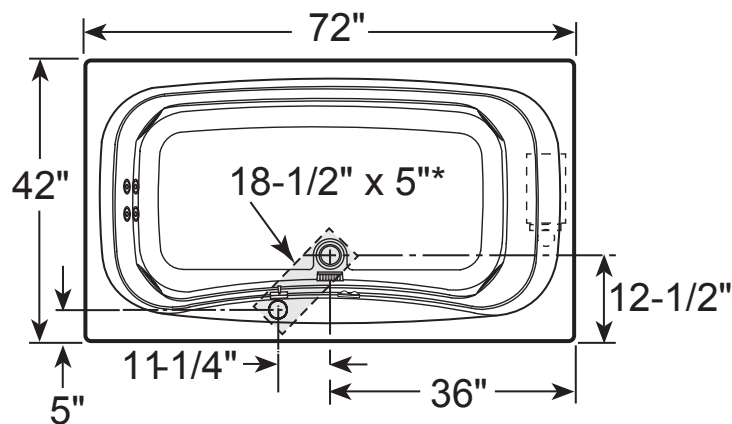
Product Shown: Signa 6 Whirlpool Bath Right Hand Model: B460

\* Measurements inside unit represent cutout in floor to allow for drain/overflow.

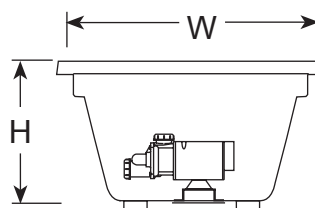
Minimum Service Access dimensions given.

## FEATURES, UPGRADES & ACCESSORIES

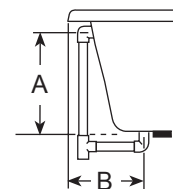
- Center Drain Location
- Accessories / Hardware:
  - Trip-Lever Drain Kit #X559
  - Rotary Trip-Lever Drain Kit: #K606
  - TheraPro™ Jet Rings Kit: #GU44
  - AccuPro™ Jet Rings Kit: #GU45
- Trim Kit Finishes Available:
  - (827) – Chrome
  - (826) – Brushed Nickel
  - (849) – Oil Rubbed Bronze



SIDE VIEW



END VIEW



DRAIN/OVERFLOW