

TECHNICAL SPECIFICATIONS

Gallery™ 6 Oval Whirlpool Bath

GAL7242 WLR 2XX Gallery 6 Oval Whirlpool Bath Left Hand (N860)

GAL7242 WRL 2XX Gallery 6 Oval Whirlpool Bath Right Hand (N865)

Gallery™ 6 Oval Soaker Bath

GAL7242 BUX XXX Gallery™ 6 Oval Bath (N870)



INSTALLATION NOTES

Refer to installation instructions included with fixture before beginning installation. Please confirm product availability and specifications before commencing with any installation work.

PRODUCT SPECIFICATIONS AND AVAILABILITY ARE SUBJECT TO CHANGE WITHOUT NOTICE.

KEY DIMENSIONS

Electrical Components and Electrical Specifications do not apply to non-jetted baths.

DIMENSIONS

72" L x 42" W x 20-1/2" H
(1829 mm) L x (1067 mm) W x (521 mm) H

DRAIN/OVERFLOW

A: 16" (406 mm) B: 11-1/2" (292 mm)

CUTOUT

Template Provided

TOTAL WEIGHT

N860, N865: 1122 lb (509 kg) / 53 lb/sq. ft. (259 kg/m²)

N870: 1065 lb (485 kg) / 51 lb/sq. ft. (249 kg/m²)

OPERATING GALLONAGE

Min. 55 U.S. Gal. (208 Liters)

Max. 78 U.S. Gal. (245 Liters)

PRODUCT WEIGHT

N860, N865: 131 lb (59 kg)

N870: 74 lb (34 kg)

SKIRT MOUNTING

Not Available

ELECTRICAL SPECIFICATIONS Models N860, N865 only

Requires a dedicated GFCI protected separate circuit.

Motor/Pump: 120 VAC, 15 AMP, 60 Hz.

RapidHeat™: 120 VAC, 15 AMP, 60 Hz.

HEATER (OPTIONAL) Models N860, N865 only

Requires a dedicated GFCI protected separate circuit.

RapidHeat™: P/N S750000

Product Shown: Gallery 6 Oval Whirlpool Bath Left Hand Shown

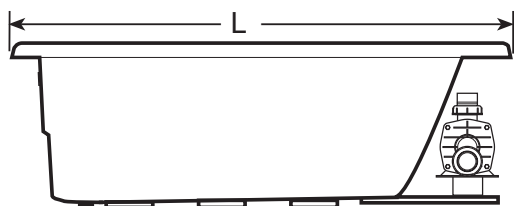
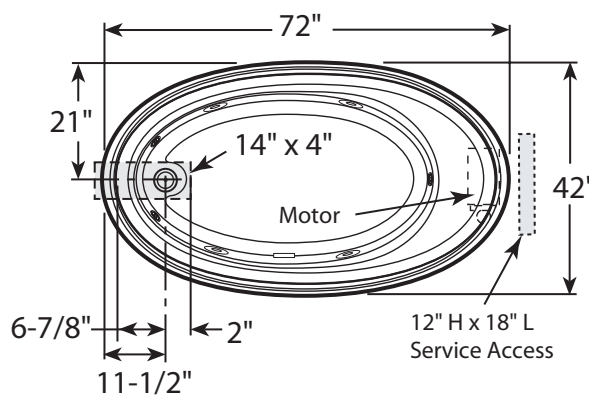
Model: N860

* Measurements inside unit represent cutout in floor to allow for drain/overflow.

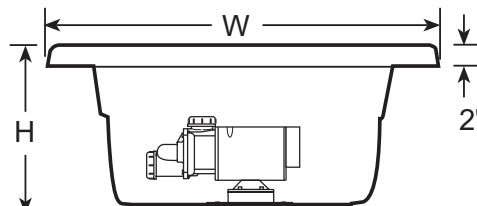
Minimum Service Access dimensions given.

FEATURES, UPGRADES & ACCESSORIES

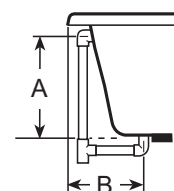
- Right and Left Hand Drain Location
- Accessories / Hardware:
 - TheraPro™ Jet Rings #GU44
 - AccuPro™ Jet Rings #GU45
 - Trip-Lever Drain Kit: #X559
 - Rotary Drain Kit, 26" Cable: #8730
- Trim Kit Finishes Available:
 - (827) – Chrome
 - (826) – Brushed Nickel
 - (845) – Oil Rubbed Bronze



SIDE VIEW



END VIEW



DRAIN/OVERFLOW