

capella® 55 whirlpool bath and soaking bath

to the Italians, "la capella"—the chapel—is a sacred place. step into our capella® whirlpool, and you'll understand.



The Capella's® unique corner configuration allows for roomy relaxation.

features:

- Sculpted armrest
- Contoured backrest
- 4 Fully adjustable TheraPro™ jets with max flow rate of 30 GPM per jet
- 2 AccuPro™ foot jets
- 1 Directionally adjustable AccuPro™ lumbar jet
- Exclusive Tru-Level™ base system
- Slip-resistant bottom
- Patented Silent Air™ Induction system
- Drain included on whirlpool baths

capella® 55 whirlpool bath

model number: 9590 - RH

exterior dimensions:
55" long x 55" wide x 20¼" high

interior dimensions:
44" long x 32" wide(mid) x 28" wide(end)

of Jets/type of Jets:
4 TheraPro™ Jets,
2 AccuPro™ Foot Jets,
1 AccuPro™ Lumbar Jet

operating gallons:
54 gallons

capella® 55 soaking bath

model number: C800

exterior dimensions:
55" long x 55" wide x 20¼" high

interior dimensions:
44" long x 32" wide





Capella® 55 Whirlpool Bath

Model: 9590

Capella™ 55 Bath

Model:C800

Ordering Information

Product Code:
 9590 Capella® 55 Whirlpool Bath
 Right Hand
 C800 Capella® 55 Bath

- Center Drain Location
- Accessories / Hardware:
 - Trip-Lever Drain Kit: #X559
 - Rotary Drain Kit, 26" Cable: #8730
 - Trim Kit: 4 X HTC Jet Rings #D095
 - Trim Kit: 2 X BMH Jet Rings #J869
- Trim Kit Finishes Available:
 - (827) - Chrome
 - (898) - Brushed Chrome
 - (815) - Satin Nickel
 - (829) - Bright Brass
 - (805) - Platinum
 - (826) - Brushed Nickel
 - (845) - Oil Rubbed Bronze

Installation Notes

Refer to installation instructions included with fixture before beginning installation. Please confirm product availability and specifications before commencing with any installation work.

PRODUCT SPECIFICATIONS AND AVAILABILITY ARE SUBJECT TO CHANGE WITHOUT NOTICE.

Electrical Components and Electrical Specifications do not apply to non-jetted baths.

Technical Specifications

Dimensions

55" L x 55" L x 20-1/4" H
 (1397 mm) L x (1397 mm) L x (514 mm) H

Drain/Overflow

A: 17-1/2" (445 mm) B: 9-5/8" (245 mm)

Cutout

Template Provided: P/N DA24000

Total Weight

9590: 791 lb (359 kg) / 38 lb/sq. ft. (184 kg/m²)
 C800: 760 lb (345 kg) / 36 lb/sq. ft. (177 kg/m²)

Operating Gallonage

54 U.S. Gal. (204 Liters)
 Max. 72 U.S. Gal. (273 Liters)

Product Weight

9590: 116 lb (53 kg)
 C800: 85 lb (39 kg)

Skirt Mounting

Optional

Electrical Specifications Model 9590 only

Requires a dedicated GFCI protected separate circuit.

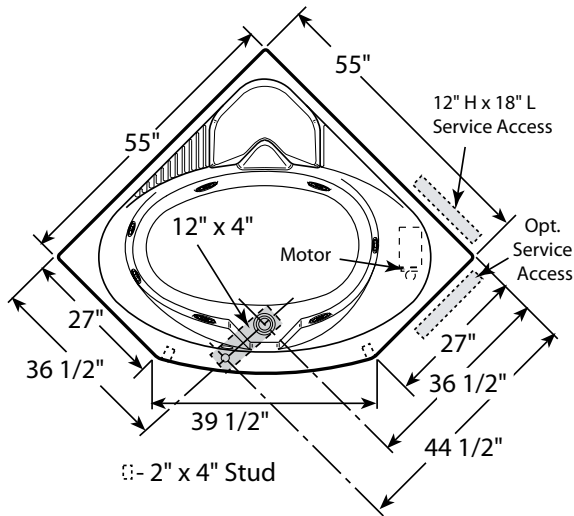
Motor/Pump: 120 VAC, 15 AMP, 60 Hz.

RapidHeat™: 120 VAC, 15 AMP, 60 Hz

Heater (Optional) Model 9590 only

Requires a dedicated GFCI protected separate circuit.

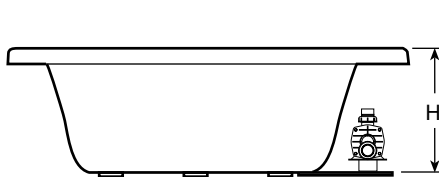
RapidHeat™: P/N S750000



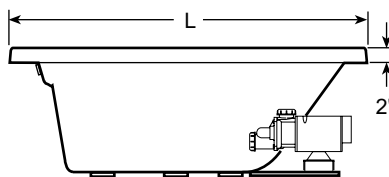
Product Shown: Capella® 55 Corner Whirlpool Bath Model: 9590

* Measurements inside unit represent cutout in floor to allow for drain/overflow.

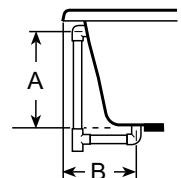
Minimum Service Access dimensions given.



SIDE VIEW



END VIEW



DRAIN/OVERFLOW