

Product Features

- Thermostatic temperature control
- Volume control and diverter for two outlets
- 100° F safety stop
- Flow rate 8 gpm @ 44 psi

Code Compliance

This unit meets or exceeds the following:

- ASME A112.18.1 / CSA B125.1
- ASSE 1016
- Listed by IAPMO
- Approved for use in Massachusetts

Available Finishes

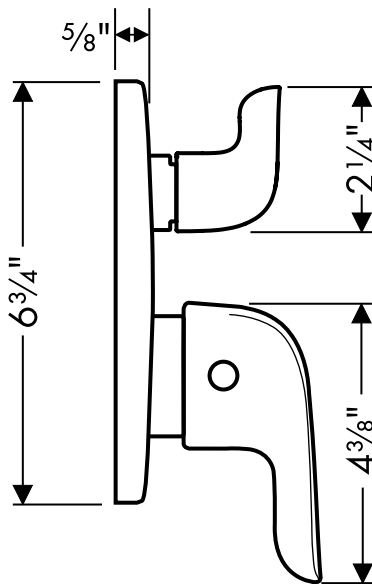
Chrome	04226000
Brushed Nickel	04226820
Polished Nickel	04226830

Required Accessories

iBox Universal Plus	01850181
---------------------	----------

Optional Accessories

Shallow extension set	13596XX0
-----------------------	----------



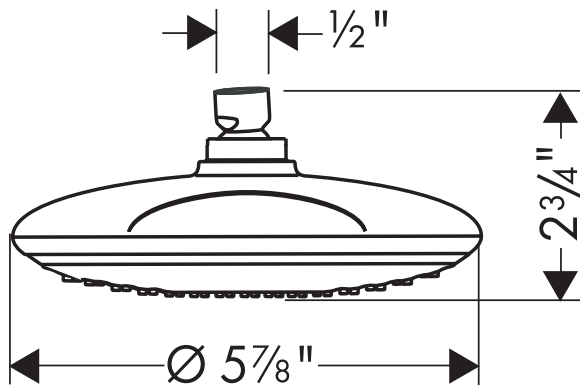
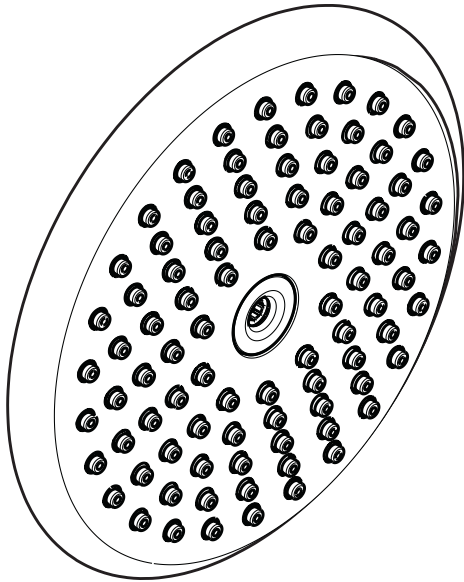
The measurements shown are for reference only.

Products and specifications shown are subject to change without notice.

Specification sheet revised 8/2010

AIR
POWER

QUICLEAN



Product Features

- Oversized spray face
- AIR injection technology
- Refreshing full spray
- 96 no-clog spray channels
- Quiclean™ self cleaning system
- 2.5 gpm max.

Code Compliance

This unit meets or exceeds the following:

- ASME A112.18.1
- CSA B125.1
- Listed by IAPMO
- Approved for use in Massachusetts

Available Finishes

Chrome	27466001
Brushed Nickel	27466821
Polished Nickel	27466831
Polished Brass	27466931

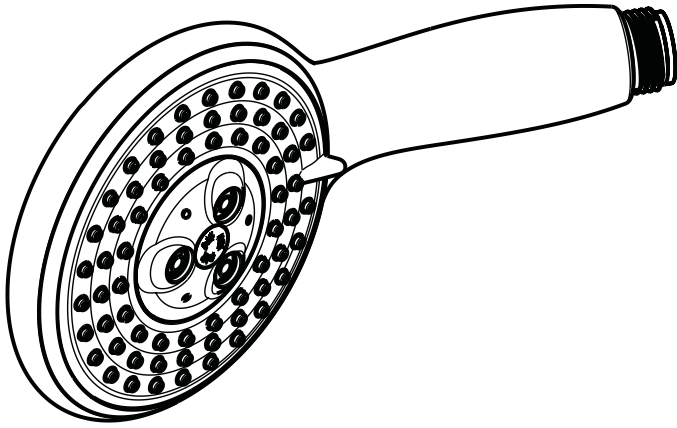
The measurements shown are for reference only.

Products and specifications shown are subject to change without notice.

Specification sheet revised 8/2009

Raindance E 100 AIR 3-Jet Handshower

28502XX1



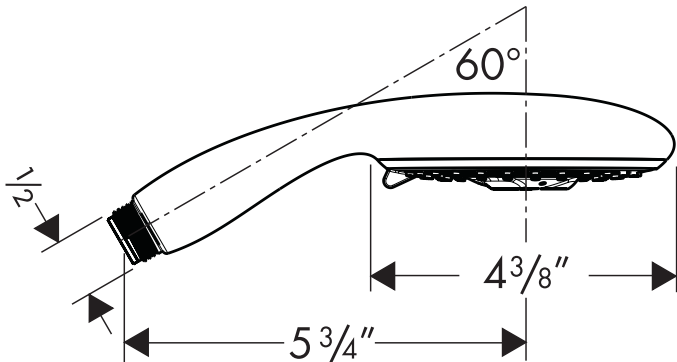
Product Features

- Oversized spray face
- AIR injection technology
- Rubit™ cleaning system
- Three spray modes: AIR, Whirl AIR, Balance AIR
- 65 no-clog spray channels
- 2.5 gpm max.

Code Compliance

This unit meets or exceeds the following:

- ASME A112.18.1
- CSA B125.1
- Listed by IAPMO
- Approved for use in Massachusetts



Available Finishes

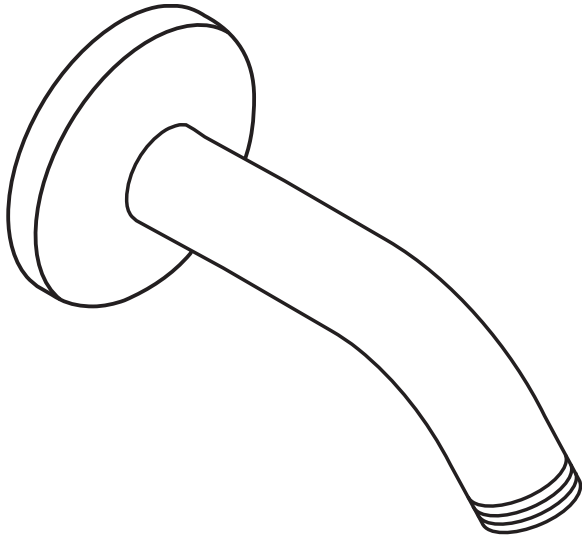
Chrome	28502001
Brushed Nickel	28502821
Polished Nickel	28502831
Polished Brass	28502931

The measurements shown are for reference only.

Products and specifications shown are subject to change without notice.

Specification sheet revised 1/2008

hansgrohe

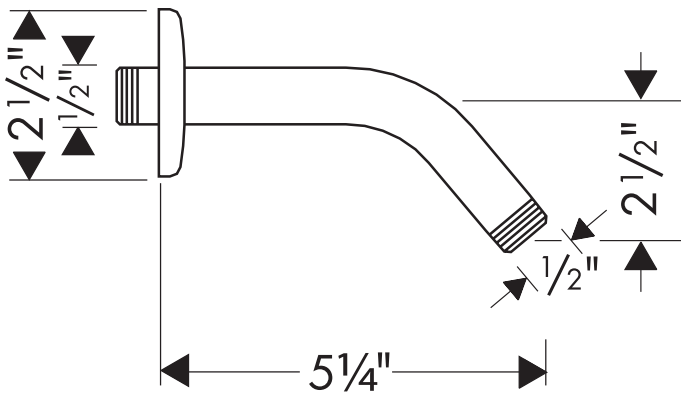


Product Features

- 1/2" male inlet
- Includes escutcheon
- Not for use with oversized or square showerheads

Available Finishes

Chrome	27411003
Oil Rubbed Bronze	27411623
Brushed Nickel	27411823
Polished Nickel	27411833
Rubbed Bronze	27411923
Polished Brass	27411933



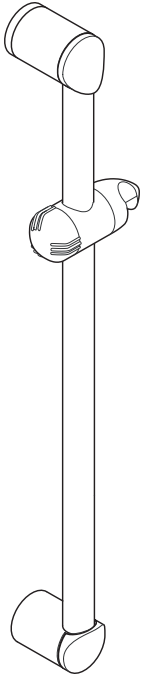
Optional Accessories

C Escutcheon for standard showerarm	04068XX0
-------------------------------------	----------

The measurements shown are for reference only.

Products and specifications shown are subject to change without notice.

Specification sheet revised 1/2009

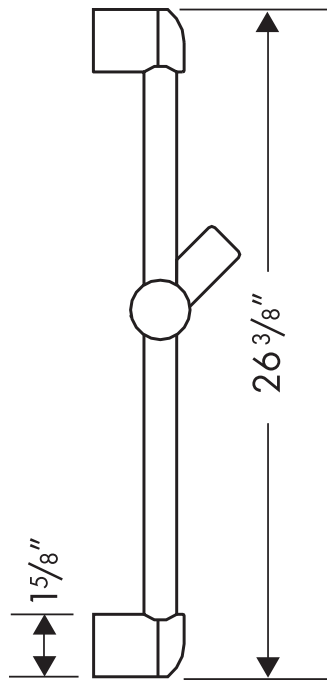


Product Features

- Handshower holder moves up and down, pivots left and right
- Knob with finger grip for easy slide adjustment
- Angle adjustable acrylic holder
- Includes soap dish

Available Finishes

Chrome	06890000
Oil Rubbed Bronze	06890620
Brushed Nickel	06890820
Polished Nickel	06890830
Rubbed Bronze	06890920
Polished Brass	06890930



The measurements shown are for reference only.

Products and specifications shown are subject to change without notice.

Specification sheet revised 1/2009

Product data sheet

Techniflex 63" Hose

Description

- With brass swivel connector to prevent hose twisting
- Revolutionary solid color finish

Finish	Model no.	List Price
chrome	28276003	42.00 USD
oil rubbed bronze	28276623	72.00 USD
brushed nickel	28276823	72.00 USD
polished nickel	28276833	62.00 USD
polished brass	28276933	62.00 USD
steel optik	28276803	72.00 USD

Product image



Product data sheet

Wall Outlet with Check Valve

Description

- 1/2" NPT female inlet
- Internal check valves
- Fits all 1/2" hoses

Finish	Model no.	List Price
chrome	27458003	70.00 USD
oil rubbed bronze	27458623	101.00 USD
brushed nickel	27458823	101.00 USD
polished nickel	27458833	92.00 USD
polished brass	27458933	92.00 USD

Product image

