

C Pressure Balance Trim

Surfaces: **brushed nickel**

Article Number: **04223820**



Description

product features

- 1 outlet
- connection type: basic set
- flow rate: 22 l/min
- pressure control and volume control in one unit
- Bypass for use with diverter-type tub spouts
- temperature limitation adjustable
- Temperature and volume control for 1 outlet
- suitable for continuous flow water heaters

Mandatory Accessoires

- iBox Universal Plus Rough with Service Stops, 3/4" (#01850USA)

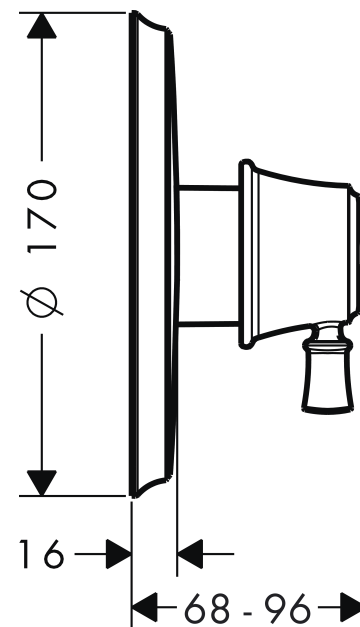
Optional Accessoires

- Extension element Ø 170 mm (#13596XXX)

Product image



Scale drawing



C Pressure Balance Trim

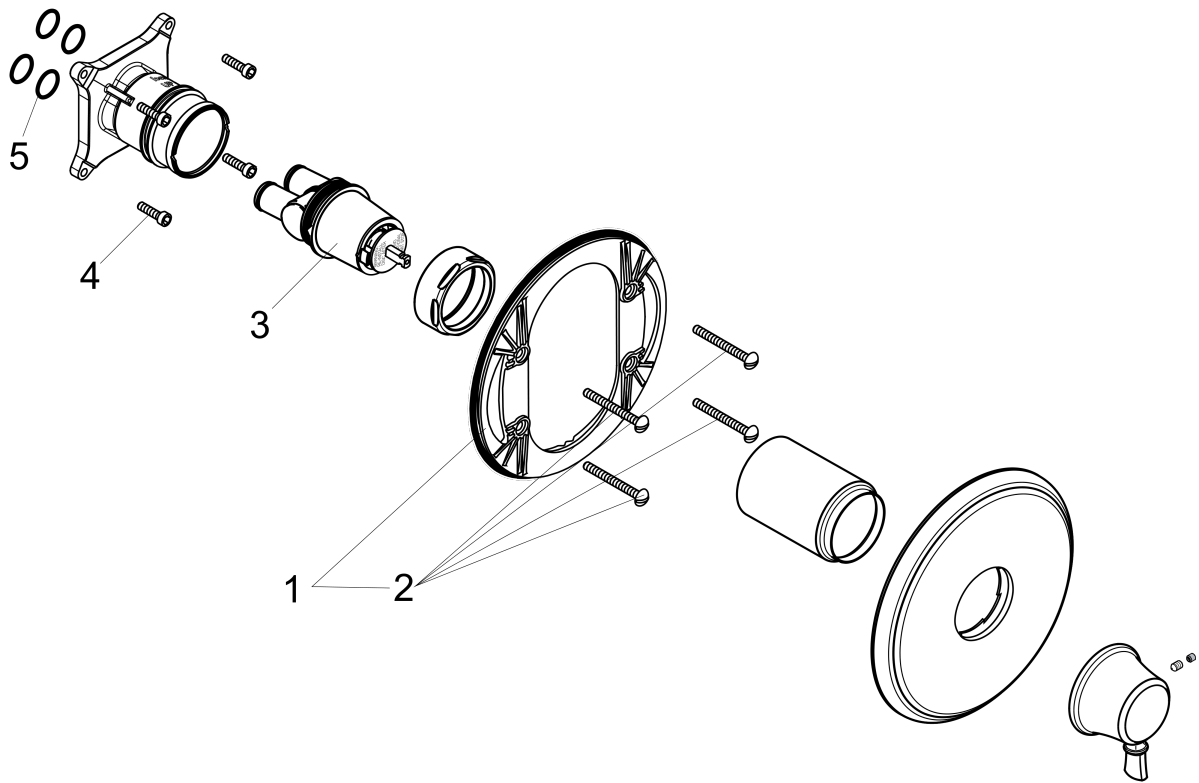
Surfaces: brushed nickel

Article Number: 04223820



Exploded Drawing

Year of production: >05/10



C Pressure Balance Trim

Surfaces: **brushed nickel**

Article Number: **04223820**



Spare part list

Year of production: >05/10

Pos.	Description	Article Number	PC	PU
1	sub plate	96447000	10	1
2	set of fixing screws	96454000	3	1
3	cartridge, assy	88727000	0	1
4	screw M5 x 20	96525000	3	1
5	O-ring 16x2	98133000	1	1
a	sleeve	88765820	0	1
b	extension 22 mm (Ø 170 mm)	13596820	15	1
c	extension 25 mm	13595000	0	1