

19 457 Pressure Balance Valve trim



Description

Single Lever Handle

For use with Grohsafe® Pressure Balance Rough-In Valve 35 015 (sold separately)

Flow Rate

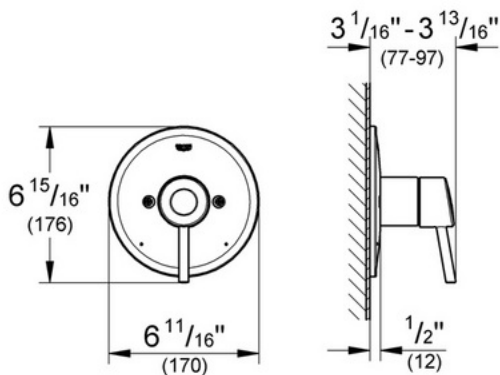
N/A

Code Compliance

ADA Compliant

Finish Options

19 457 000 Starlight® Chrome



Accessories 28 672

Hand shower wall union



Description

Wall mount hand shower union
1/2" NPT female threads

Flow Rate

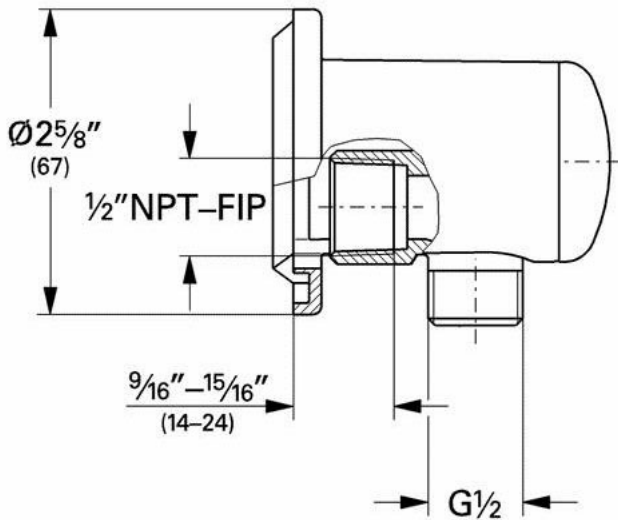
N/A

Code Compliance

* ASME/ANSI A112.18.M

Finish Options

28 672 000 Chrome



27 242 Shower Set



Description

Euphoria Hand Shower (27 238)
2 spray patterns
Grohe DreamSpray® Technology
Grohe SprayDimmer (reduces flow)
Speedclean® Anti-Lime System
24" adjustable height shower bar
59" shower hose
Universal tray
Swivel hand shower holder

Flow Rate

2.5 gpm at 80 psi (9.5 lpm)

Code Compliance

ASME/ANSI A112.18.1M

Finish Options

27 242 000 Starlight® Chrome

