
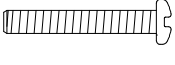

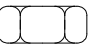


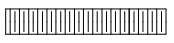

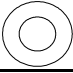



Fixture Name: Hidalgo 1051-FM SBZ

This fixture assembled PO: _____ Date: _____

Notice: Please review the parts listing and check for all parts before assembling the fixture. If any parts are missing or damaged, please note on this sheet and contact the place of purchase to arrange for replacement parts.

PARTS LIST		Company Name: _____ Co. Account #: _____ to be filled out by retailer			
Mounting strap	1ea 	Mounting screws 8/32T*1-1/4"L	2ea 	Fixture Mounting screws 8/32T*1-1/2"L	2ea 
Hex nut 3/8" 4mm	2ea 	Finial	1ea 	Green screw	1ea 
Nipple	1ea 	Bottom Cap	1ea 	Metal Washer	1ea 
Wire connectors	3ea 				
Part Needed	_____				Quantity _____
Part Needed	_____				Quantity _____
Reason why	(missing, scratched, broken glass, bent, bad finish)				
Comments	_____				

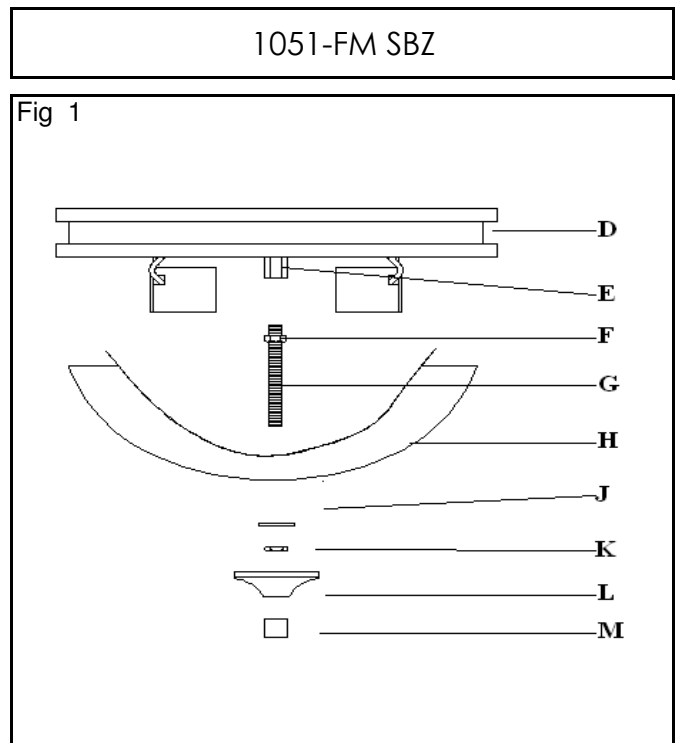
FIXTURE ASSEMBLY INSTRUCTIONS

Read and review installation instruction sheet before assembling the fixture.

1. Thread the Nipple (G) into the Coupling (E), and then thread the Hex Nut (F) onto Nipple (G) until tight.
2. Install the light bulbs in accordance with the fixture's specifications.
3. Place Glass Shade (H) over the Ceiling Pan (D). The Nipple (G) shall protrude the bottom hole of the Glass Shade (H).
4. While holding the Glass Shade (H) slide washer (J) over Nipple (G) and thread Hex nut (K) until tight.
5. Slide Bottom Cap (L) over Nipple (G) and thread the Finial (M) until tight.

(DO NOT EXCEED THE MAXIMUM WATTAGE RATING)

NOTE: INSTALL THE GLASS ASSEMBLY AFTER THE FIXTURE IS HUNG.



Fixture Name: Hidalgo 1051-FM SBZ

For Flush Mount Light Fixture

WARNING ! SHUT OFF POWER AT FUSE OR CIRCUIT BREAKER.

HANGING THE FIXTURE (Fig.1)

1. Carefully remove the new fixture from the carton and the yellow bag that holds all parts. Check that all parts are included as shown in the illustration and parts list.
2. Shut off power at the circuit breaker and remove old fixture from ceiling, including the old mounting strap.
3. Thread the two Fixture Mounting Screws (A) into the pre-drilled Hole in the Mounting Strap (B) spaced the same distance apart as the hole in the Ceiling Pan.
4. Attach Mounting Strap (B) to the junction box using the two Screws (C).

CONNECTING THE WIRES (Fig 2)

5. Attach the power supply wires to the fixture lead wires by connecting BLACK to BLACK (or SMOOTH) and WHITE to WHITE (or RIBBED).
6. Attach the GROUND wire (GREEN or COPPER) from the Junction Box and the fixture Ground wire to the green Ground Screw on the Mounting Bracket (B) or connect both wires together using the correct size of wire connectors.
- NOTE: Twist the wires together in the same direction you twist the wire connector onto the wires.
7. Tuck these wire connections neatly into the Junction Box.

FINISHING THE INSTALLATION (Fig.3)

8. Finish mounting the Ceiling Pan (D) by placing it over the Mounting Strap (B) as shown on FIG.1. Rotate the Pan until the Mounting screws (A) protrude through the "Keyholes" located in the bottom of Ceiling Pan (D).
 - Using a screw driver, secure the Ceiling Pan (D) by screwing Mounting Screws (A) until taut.
 9. Install the light bulbs in accordance to the fixture's specifications.
 10. Install the glass shade as per the assembly instructions.
- YOUR INSTALLATION IS NOW COMPLETE. RETURN POWER TO THE JUNCTION BOX AND TEST THE FIXTURE.

Fig. 1

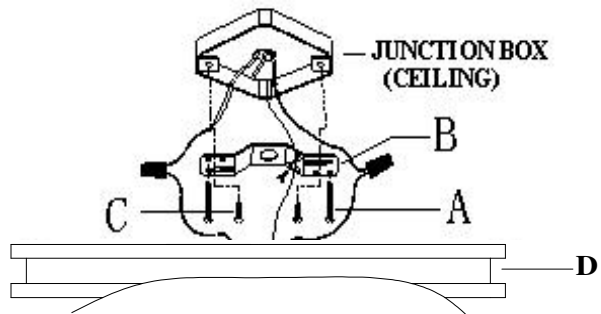


Fig. 2

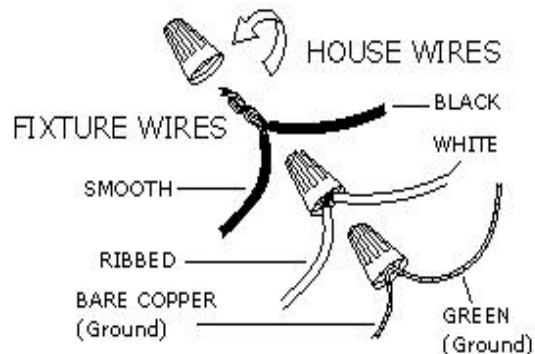


Fig. 3

