

*Complement  
your purchase  
with these  
fine accessories  
also from  
GINGER®:*

*Towel Bars  
Towel Rings  
Toilet Tissue Holders  
Hooks  
Soap Dishes  
Tumbler Holders  
Toiletry Shelves  
Grab Bars  
Mirrors  
Lights  
Bud Vases  
Hotel Shelves  
Shower Curtain Rods  
Soap & Bottle Baskets  
Cabinet Hardware*

**CANTERBURY**  
1505, 1521, 1509, 1527

**CASSANDRA**  
1405, 1421, 1409, 1427

**CHELSEA**  
1105, 1121, 1109, 1127

**SUSSEX**  
1705, 1709, 1727

**INSTALLATION INSTRUCTIONS**

for  
**TOWEL RING  
&  
HANGING  
TOILET TISSUE HOLDER**

**G U S A**

460-N Greenway Industrial Drive  
Fort Mill, SC 29708

**GINGER**

**GINGER**

# GINGER HANGING TISSUE HOLDER

## INSTALLATION INSTRUCTIONS

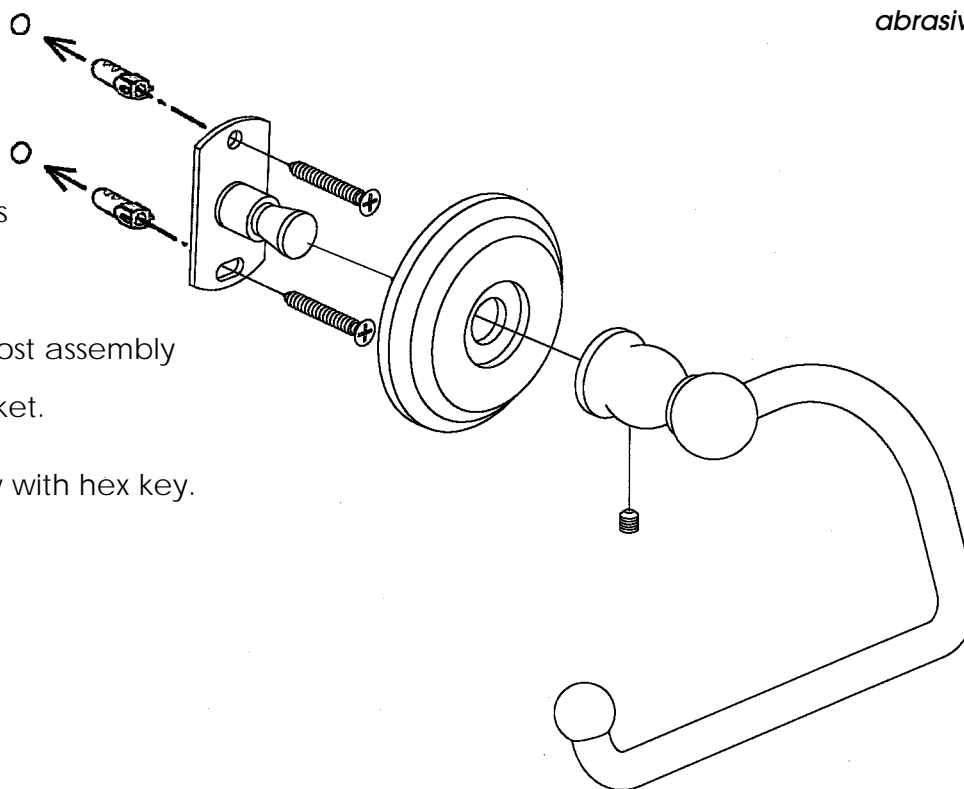
1. Trace screw hole positions for mounting bracket onto wall at desired mounting location.
2. Drill 3/16" (5mm) holes in drywall, 1/4" (6mm) in tile at screw hole marks.

Insert anchors and tap flush with wall.

3. Position mounting bracket over anchors and install screws.

4. Place rosette and post assembly over mounting bracket.

5. Tighten the set screw with hex key.



### CARE OF FINE BRASS

*The finish is protected with a clear, durable, baked-on enamel. To clean, use warm soapy water, and dry with a soft cloth. Occasional paste waxing is also recommended. NEVER use brass polish, abrasives or abrasive wax.*