

Traditional Wall Mount Tub Filler
 Model: TWTF-xx

Components:
 T-FB1-xx (Faucet Body)
 T-WLBO-xx (Wall Elbows)

Features

- Solid Brass Construction
- 1/4" Turn Ceramic Disc Cartridge
- 1/2" Female IPS Inlets
- 8" Centers
- Double Check Valves
- PVD Anti-Tarnish Finishes (Noted by #)
- Limited Lifetime Warranty







Codes/Standards

Specified model meets or exceeds:

- ASME A112.18.1
- CSA B125.1
- Energy Policy Act of 1992
- IAPMO cUPC® Listed

Required Handles:

Handle Type	Image	Model Number
Metal Cross Handle		T-HCRS-xx
 Metal Lever Handle		T-HLVR-xx
 White Porcelain Lever Handle		T-HPLV-xx

Finish Codes:

Series Finish Codes
 (Add to base model number, Example: T-FB1-SN)

Polished Chrome **PC**
 # Oil Rubbed Bronze **ORB**
 Satin Nickel **SN**
 # Millenium Brass **MB**

= PVD Finish

Giagni reserves the right to make specification and pricing changes without notice or obligation, and to change or discontinue models and finishes.
 All rights reserved. © Giagni 2008

Traditional Wall Mount Tub Filler

Model: TWTF-xx

Components:
 T-FB1-xx (Faucet Body)
 T-WLBO-xx (Wall Elbows)

Technical Information

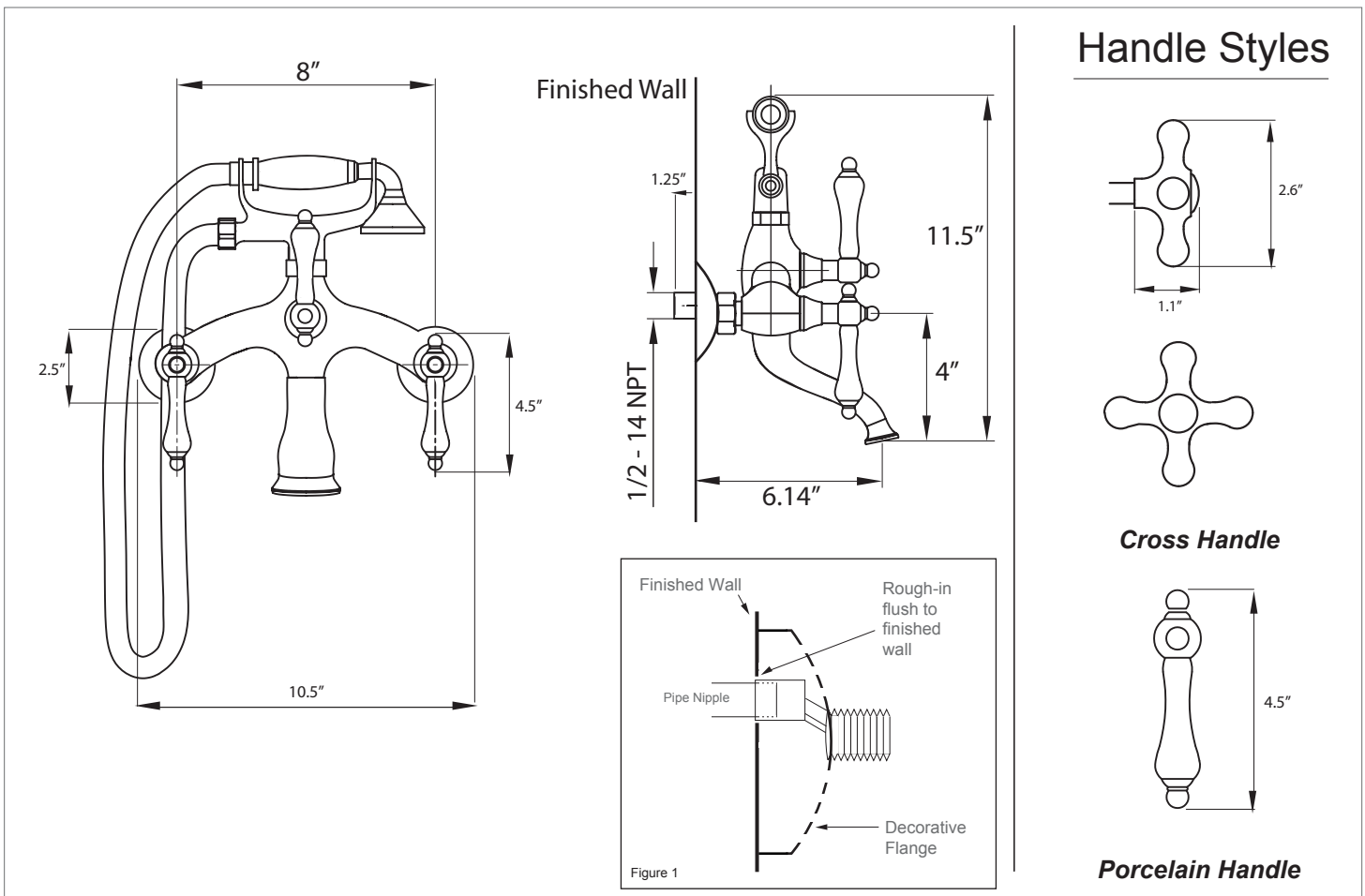
- Replacement parts available
- Toll-free helpline: 888-560-5222
- Flow Rate of tub filler:
 - 6.1 GPM @ 45 psi
 - 6.9 GPM @ 60 psi
- Flow rate of handshower:
 - 2.5 GPM max
- 59" Handshower Hose Length

Warranty

Limited lifetime function and finish warranty to the original consumer purchaser covering defects in material and workmanship. 5 Year limited warranty for all industrial and commercial applications. See complete warranty statement for details

Installation Notes

- Mounting location depends on tub design and location. Be sure to identify tub height when determining location
- There must be a minimum of 2" gap between top of tub rim and bottom of the faucet spout to comply with plumbing codes
- Refer to Figure 1 below for roughing-in detail



All measurements are approximations and should be used for reference only. Giagni reserves the right to make specification and pricing changes without notice or obligation, and to change or discontinue models and finishes. All rights reserved. © Giagni 2008

