

Soap Dispenser

Features

- Solid brass construction
- Intended for kitchen and bathroom lavatory sink
- Refillable from top
- Plastic bottle capacity: 3.8L/1Gal

Codes/Standards

Specified model meets or exceeds:

- ASME/ANSI A112.18.1M

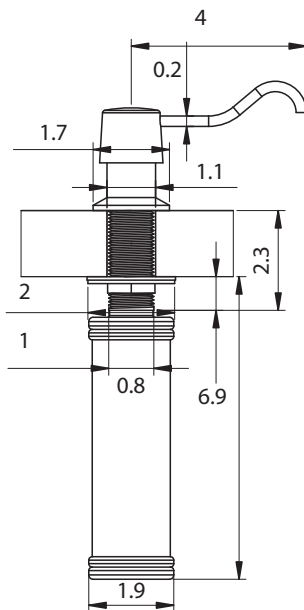
Technical Information

- 4" Spout

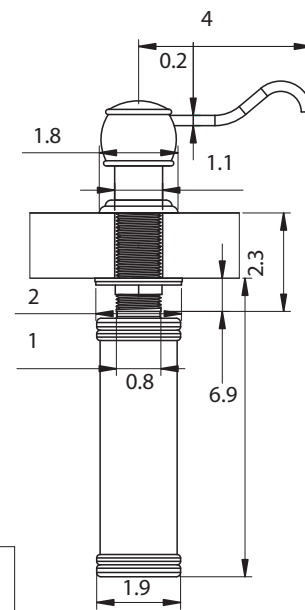
Installation Notes

- Mounts in one hole, 1-1/4" - 1-3/4" diameter
- Maximum counter thickness - 1-1/2"

K11-C Soap Dispenser Contemporary Style



K11-T Soap Dispenser Traditional Style



Available Finishes:

Polished Chrome, Oil Rubbed Bronze,
Satin Nickel, Millenium Brass