

Contemporary Floor Mount Tub Filler

Model: CFTF-PC

Components:
C-FB1-PC (Faucet Body)
C-FRSR-PC (Floormount Risers)

Features

- Solid Brass Construction
- 1/4" Turn Ceramic Disc Cartridge
- 1/2" IPS Inlets
- 8" Centers
- Double Check Valves
- Limited Lifetime Warranty

Codes/Standards

Specified model meets or exceeds:

- ASME A112.18.1
- CSA B125.1
- Energy Policy Act of 1992
- IAPMO cUPC® Listed



Required Handles:

Handle Type	Image	Model Number
Metal Cross Handle		C-HCRS-PC
 Metal Lever Handle		C-HLVR-PC

Finish Codes:

Series Finish Codes

(Add to base model number, Example: C-FB1-PC)

Polished Chrome PC

Giagni reserves the right to make specification and pricing changes without notice or obligation, and to change or discontinue models and finishes.
All rights reserved. © Giagni 2008

Contemporary Floor Mount Tub Filler

Model: CFTF-PC

Components:
C-FB1-PC (Faucet Body)
C-FRSR-PC (Floormount Risers)

Technical Information

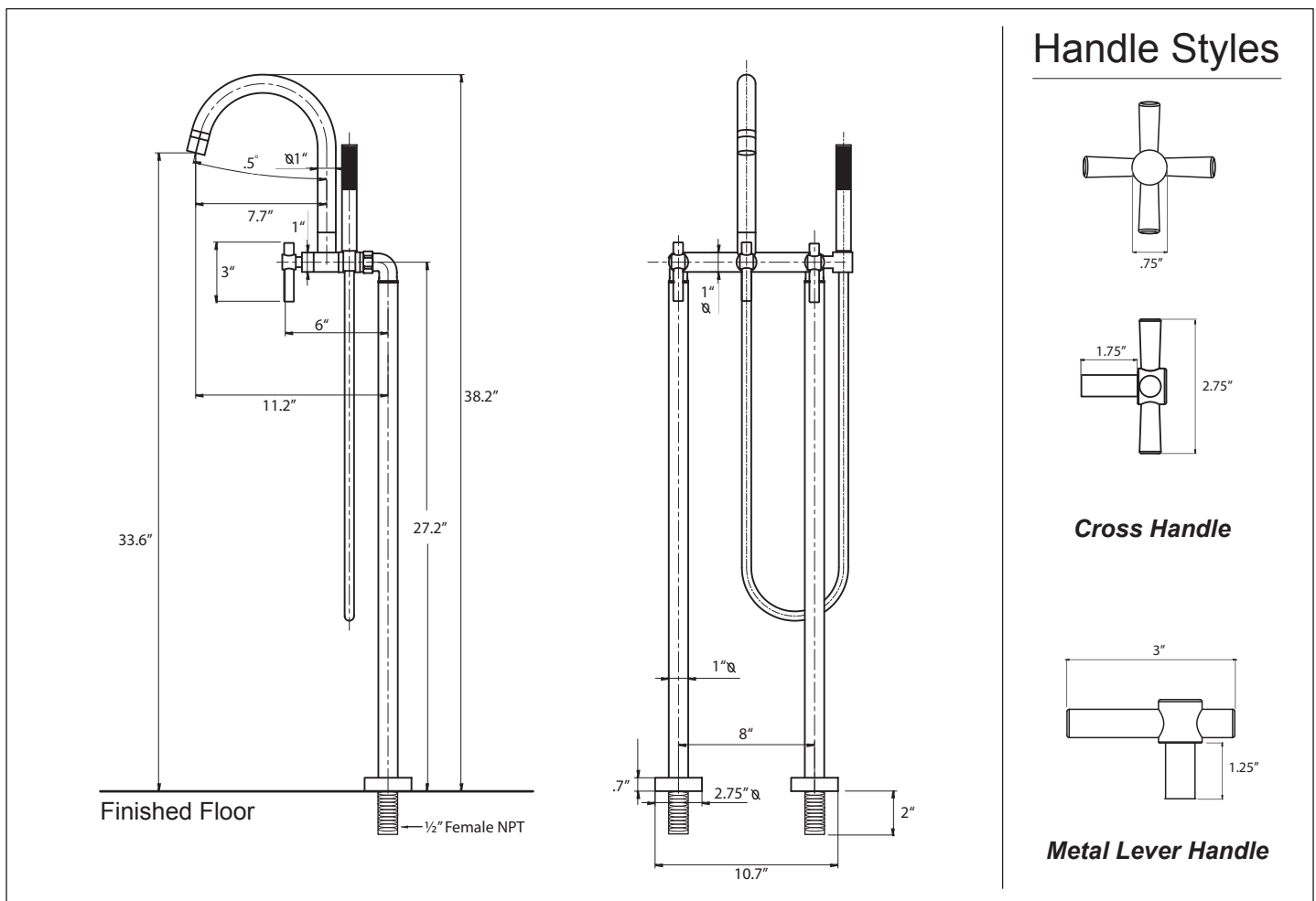
- Replacement parts available
- Toll-free helpline: 888-560-5222
- Flow Rate of tub filler:
9.3 PGM @ 45 psi
- Flow rate of handshower:
2.5 GPM @ 45 max
- 59" Handshower Hose

Installation Notes

- Recommended that this faucet is installed with support brace (Model # U-SBRC-PC)
- Requires a 1-1/8" diameter holes to be drilled in floor

Warranty

Limited lifetime function and finish warranty to the original consumer purchaser covering defects in material and workmanship. 5 Year limited warranty for all industrial and commercial applications. See complete warranty statement for details



All measurements are approximations and should be used for reference only. Giagni reserves the right to make specification and pricing changes without notice or obligation, and to change or discontinue models and finishes. All rights reserved. © Giagni 2008

