

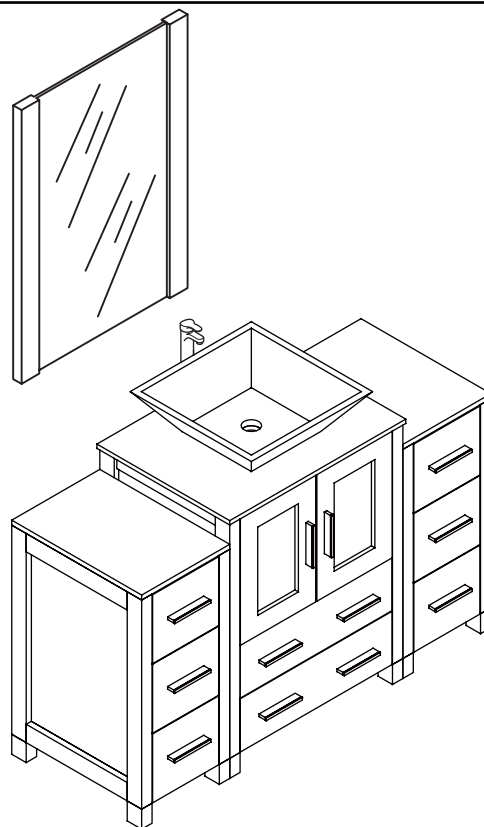
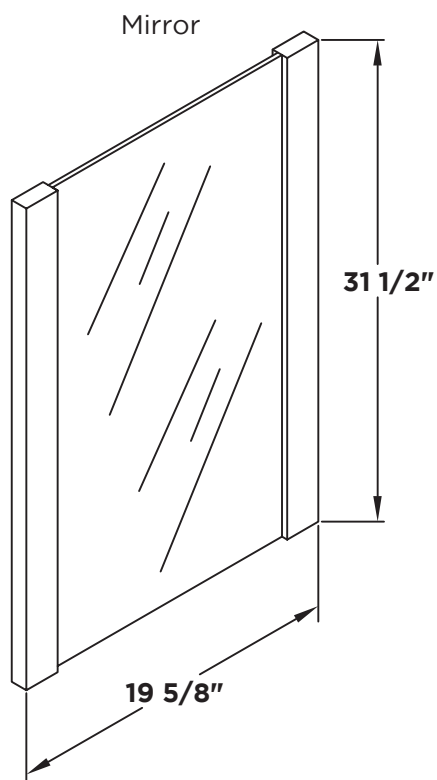
FVN62-2412-VSL

TORINO

INSTALLATION GUIDE

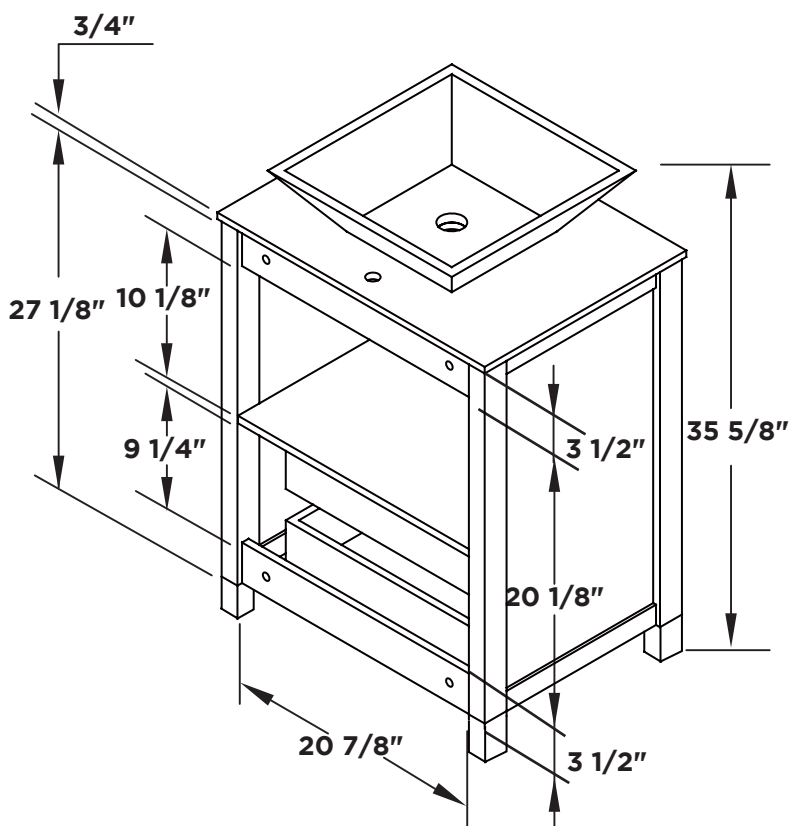
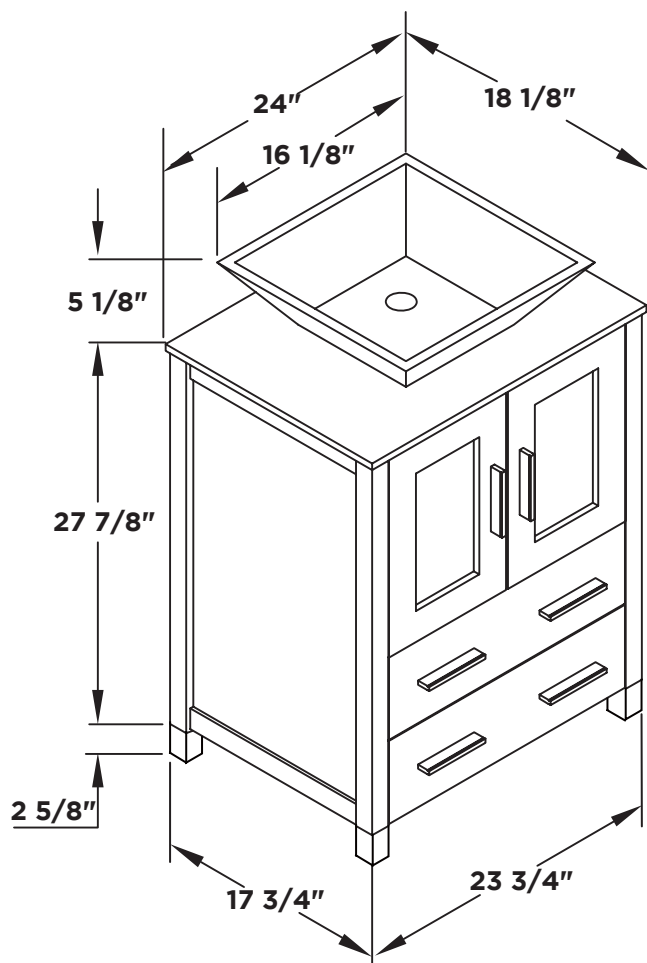


FRESCA

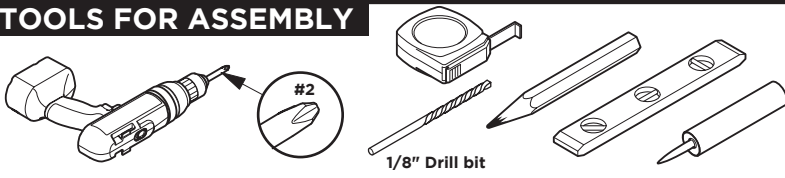


Vanity Front

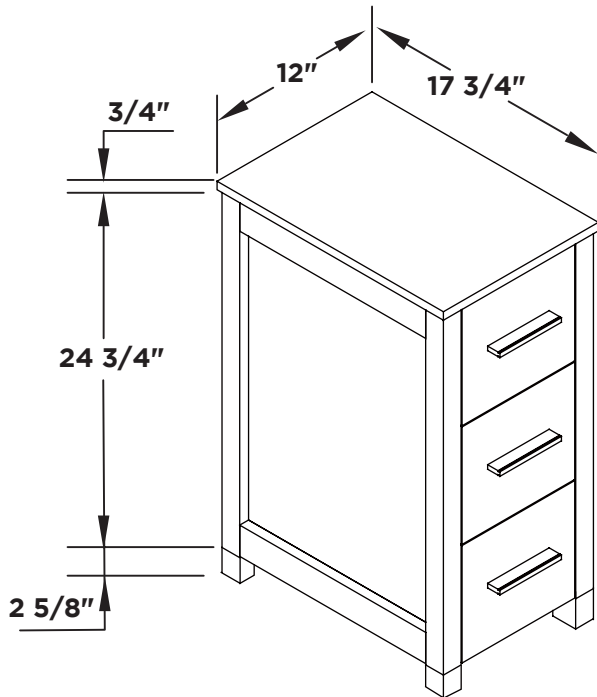
Vanity Back



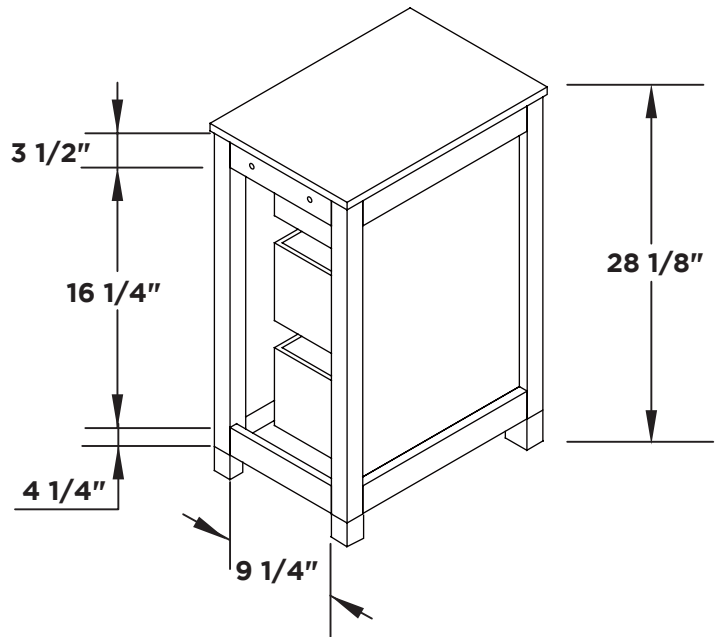
TOOLS FOR ASSEMBLY



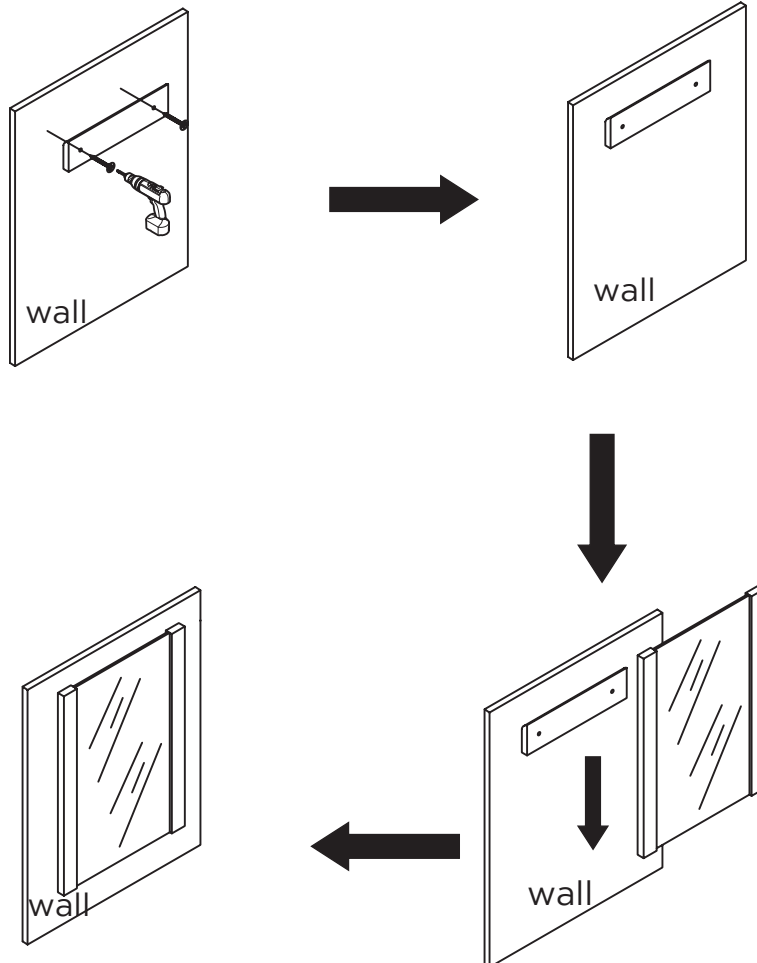
Side Cabinet Front 2PCS



Side Cabinet Back 2PCS

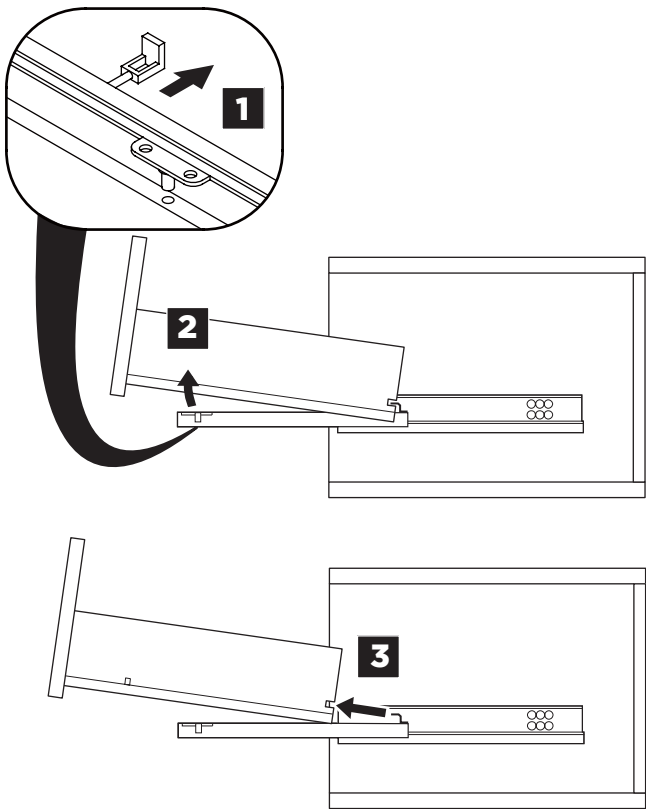


MIRROR INSTALLATION

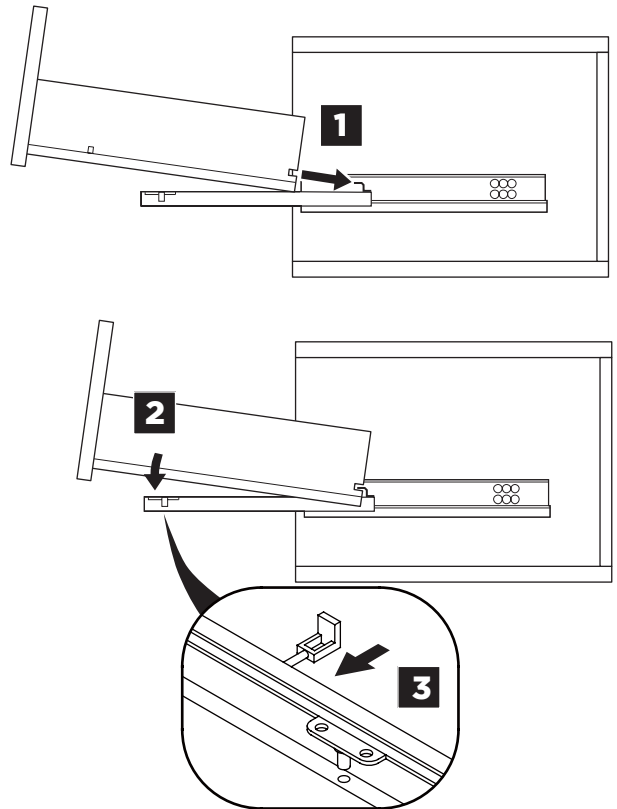


DRAWER REMOVAL & INSTALLATION

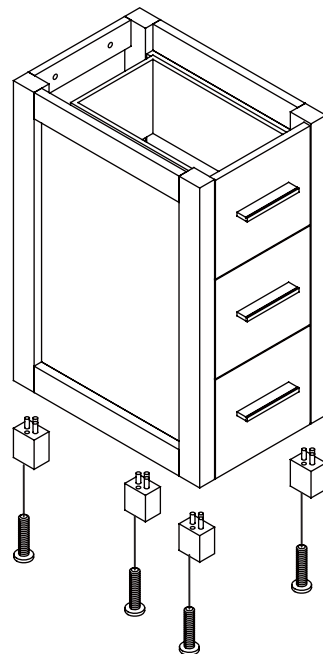
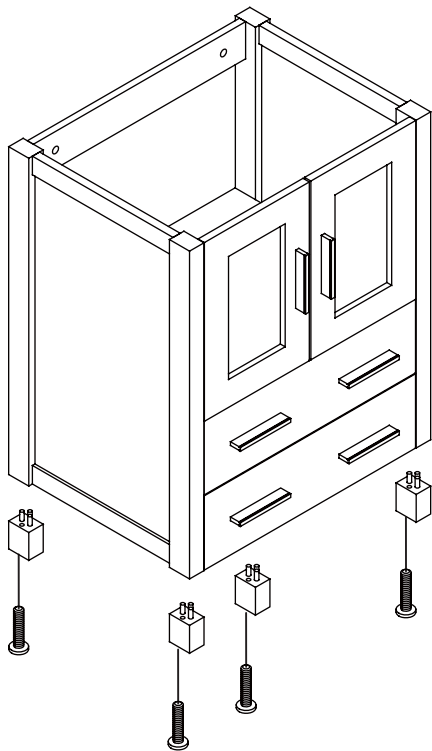
REMOVAL



INSTALLATION



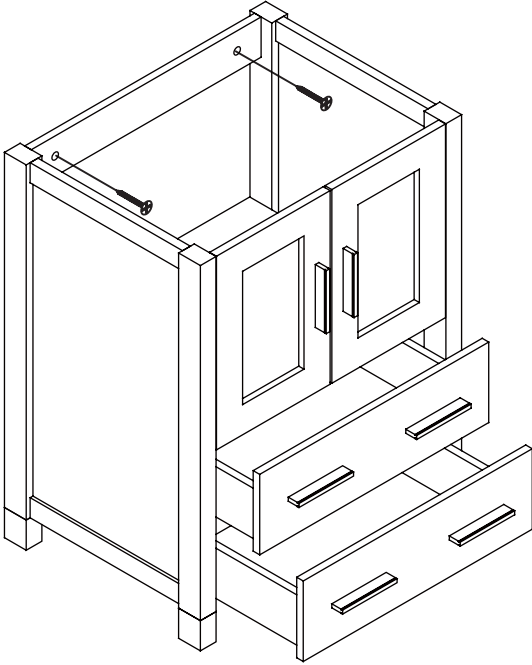
1 Install leg



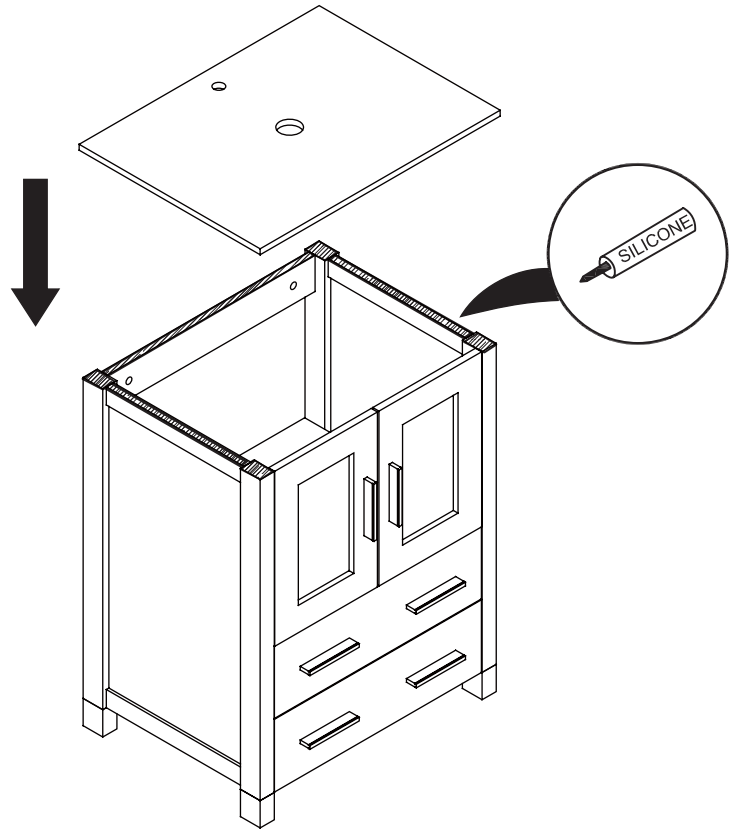
2 Remove drawer

3 Install cabinet

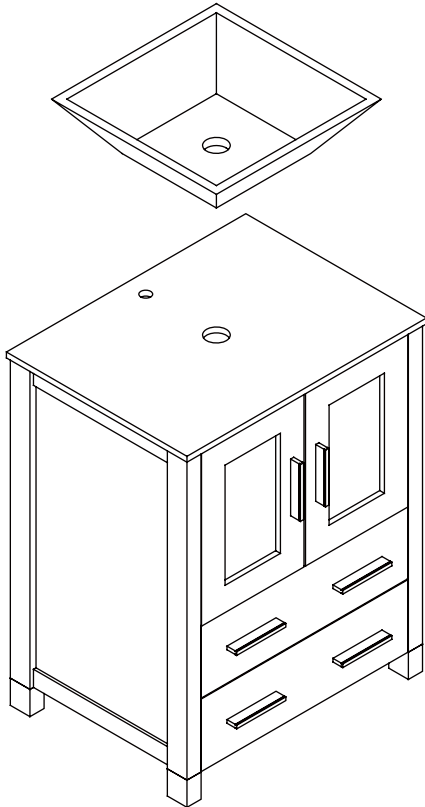
IMPORTANT: Consult an expert for the proper screws/bolts to use when attaching to various wall constructions. Screws provided do not attach to all wall construction types.



4 Install top panel

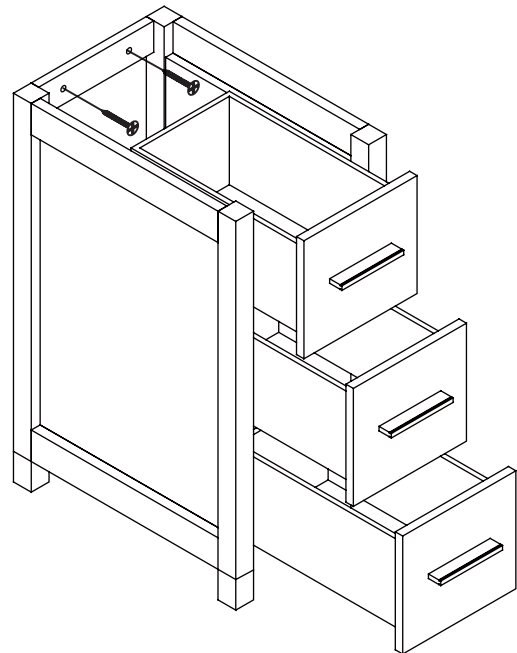


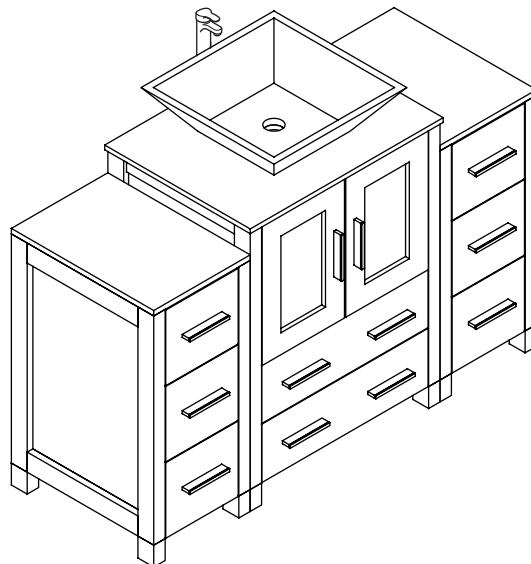
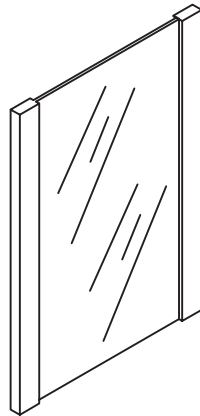
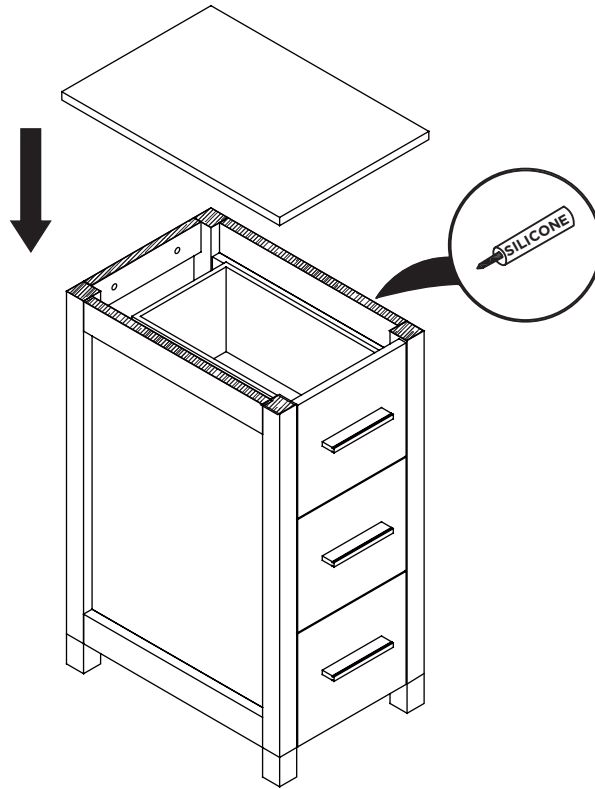
5 Install sink



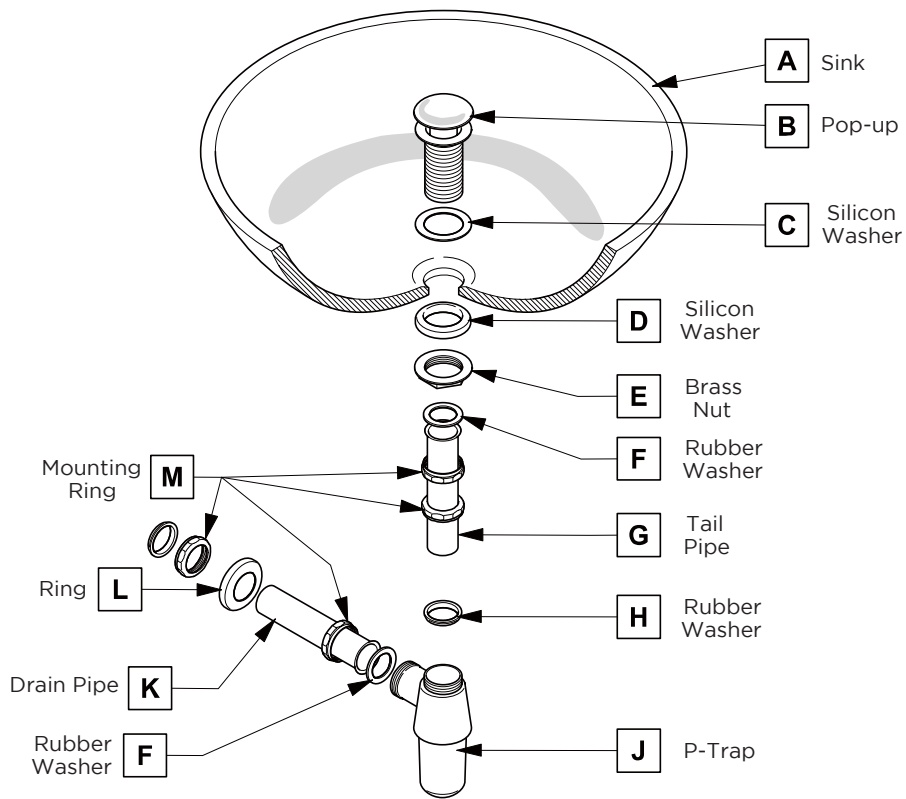
6 Remove side cabinet drawer

7 Install side cabinet



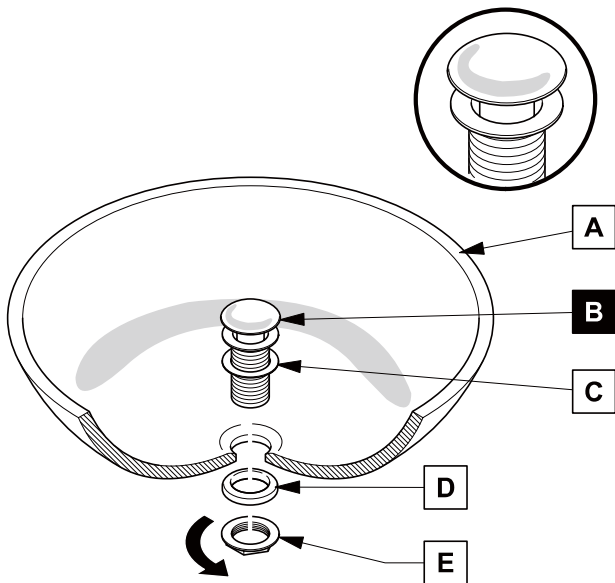


P-TRAP AND POP-UP INSTALLATION INSTRUCTIONS



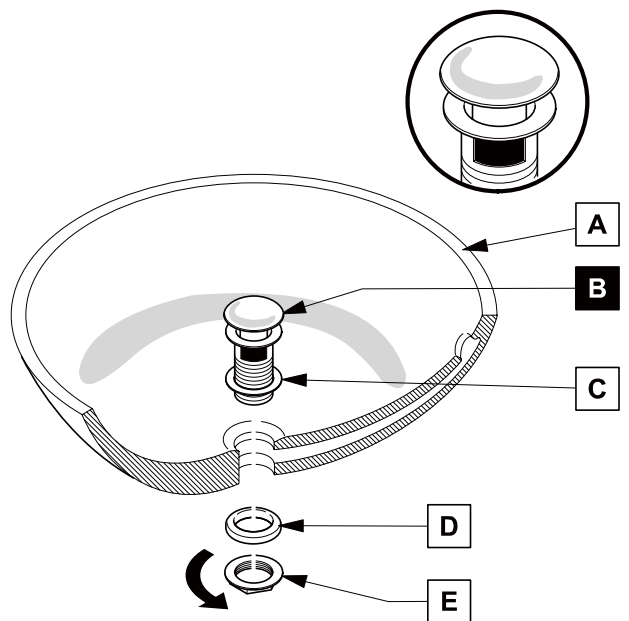
POP-UP INSTALLATION

FOR SINKS WITHOUT OVERFLOW



OR

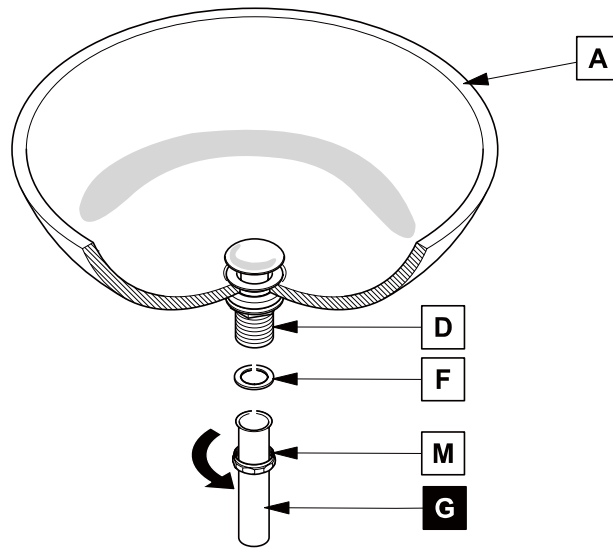
FOR SINKS WITH OVERFLOW



P-TRAP INSTALLATION

1

Install tail pipe (G)



2

Install p-trap (J)

