



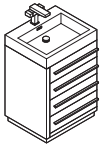
**FVN8024**

LIVELLO

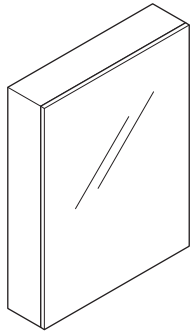
**INSTALLATION GUIDE**

CONTENTS:

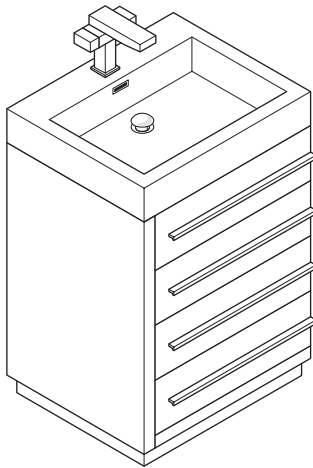
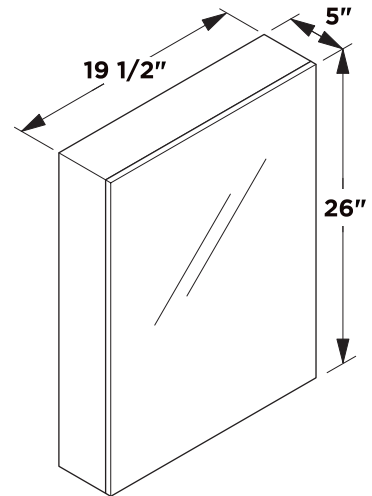
Cabinet.....(FCB8024).....	PAGE <b>3</b>
Sink.....(FVS8024).....	PAGE <b>3</b>
Medicine Cabinet (FMC8058).....	PAGE <b>4</b>



**FVN8024**  
**LIVELLO**  
**INSTALLATION GUIDE**

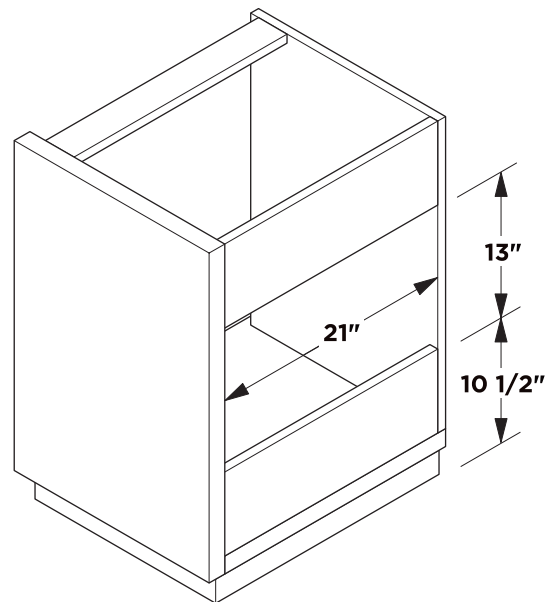
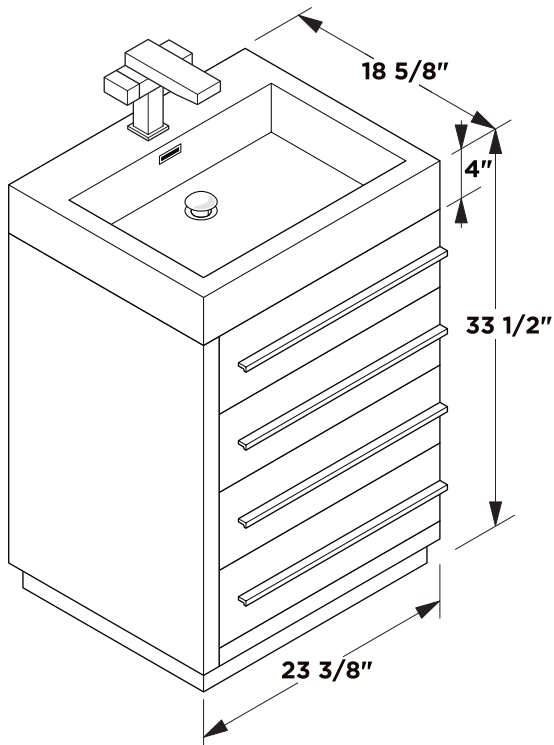


Medicine Cabinet



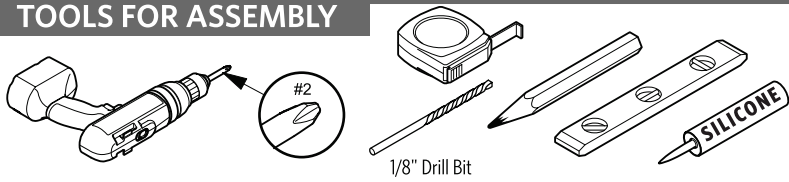
Vanity Front

Vanity Back



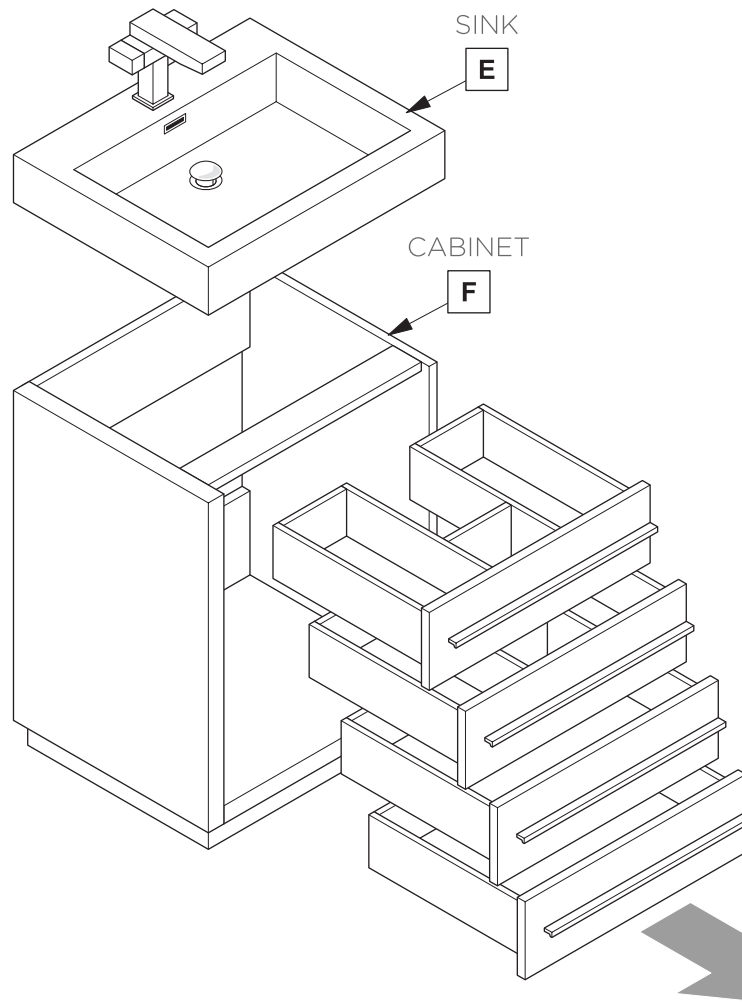
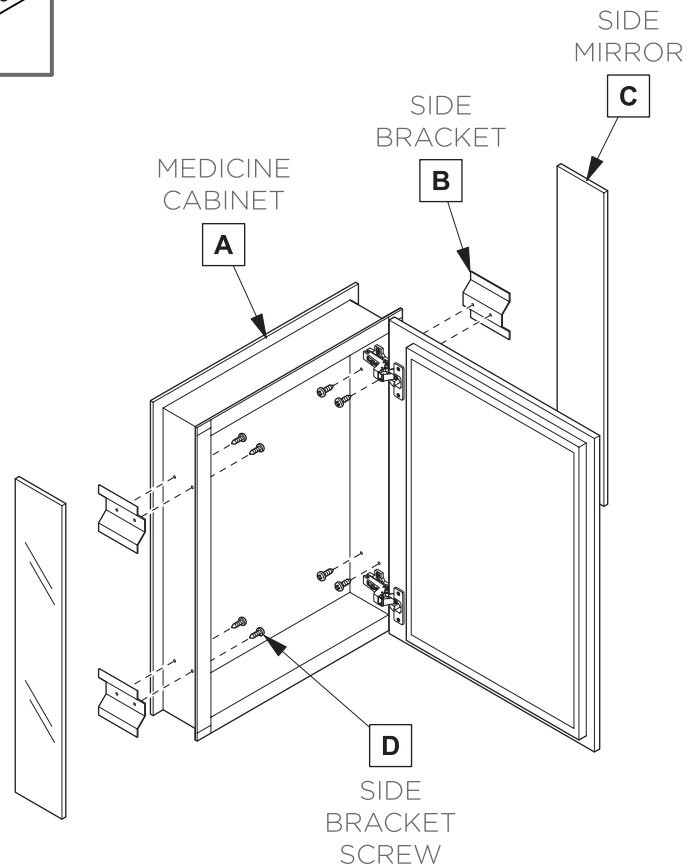
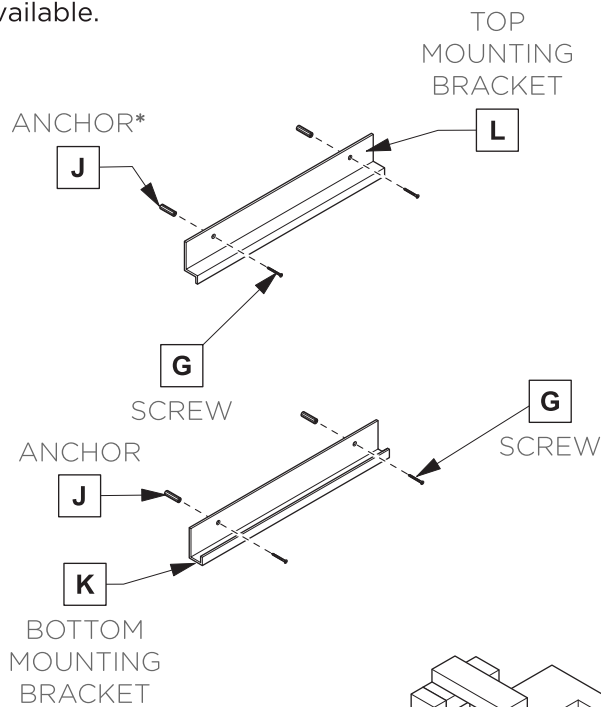
**NOTE:** ALL DIMENSIONS & SPECIFICATIONS ARE APPROXIMATE AND SUBJECT TO CHANGE WITHOUT NOTICE.

## TOOLS FOR ASSEMBLY



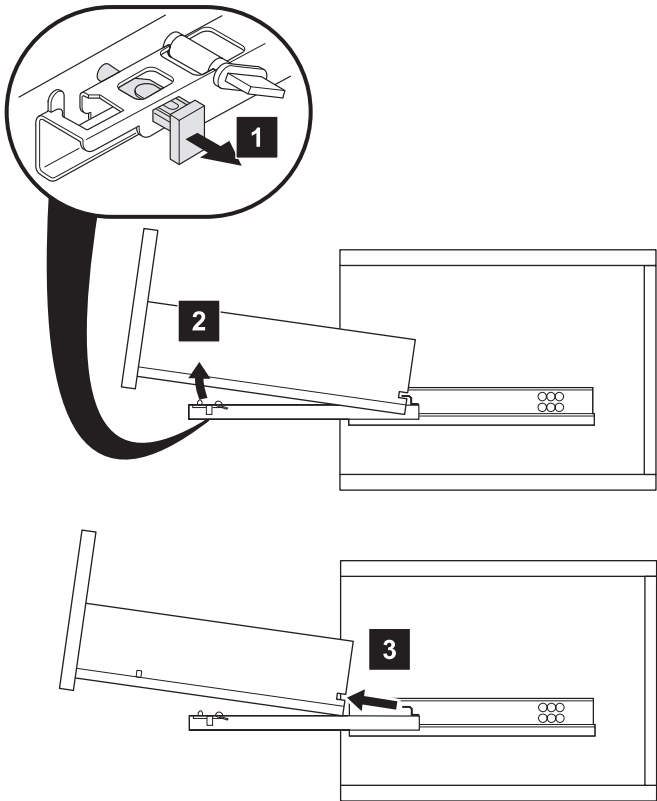
## PARTS

**\*Note:** Only use anchors (**J**) if stud (2"x4" frame) is not available.

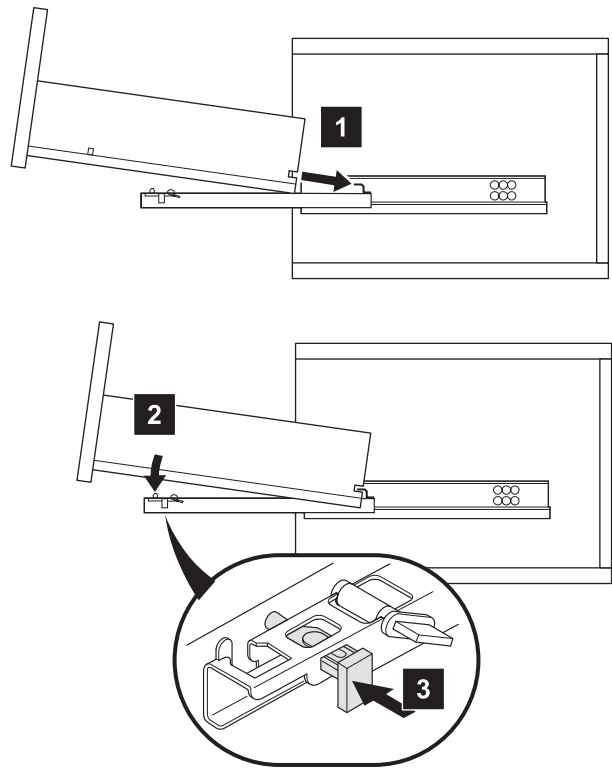


# DRAWER REMOVAL & INSTALLATION

## REMOVAL

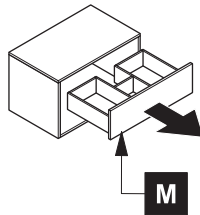


## INSTALLATION



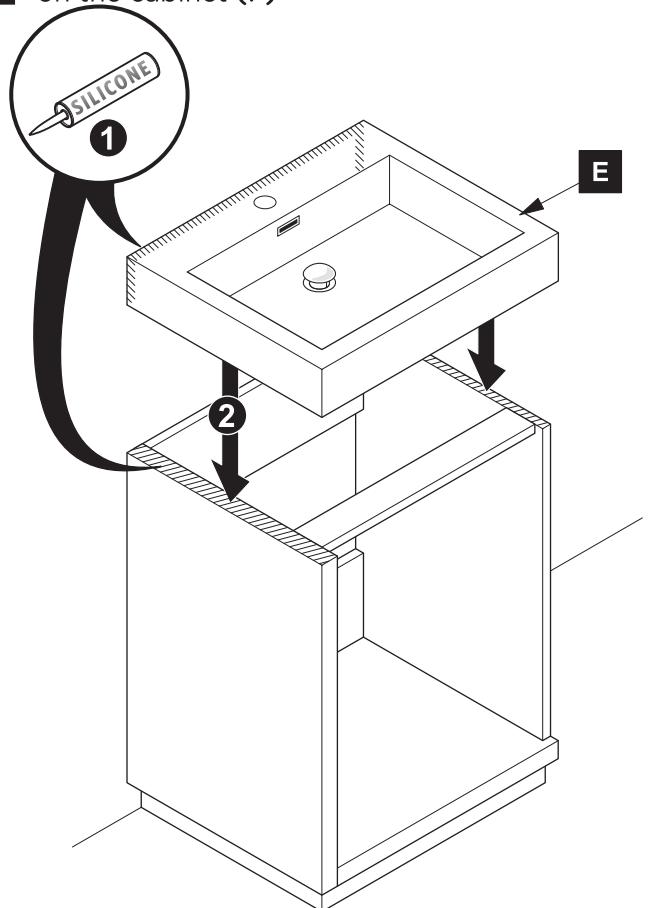
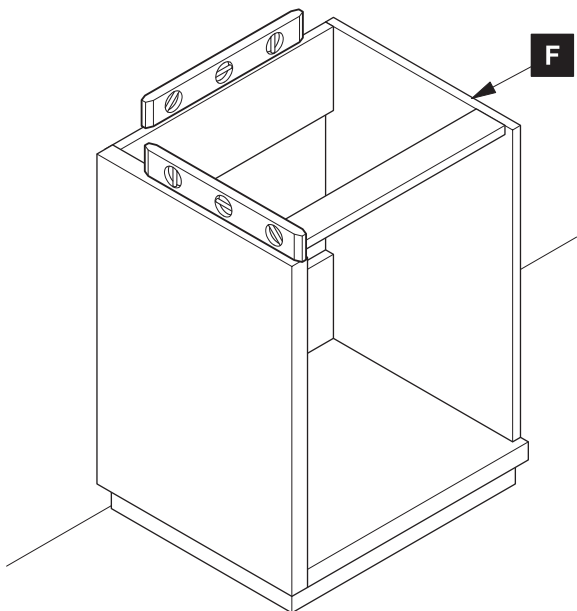
**1** Remove drawer (M)

**2** Install cabinet (F)



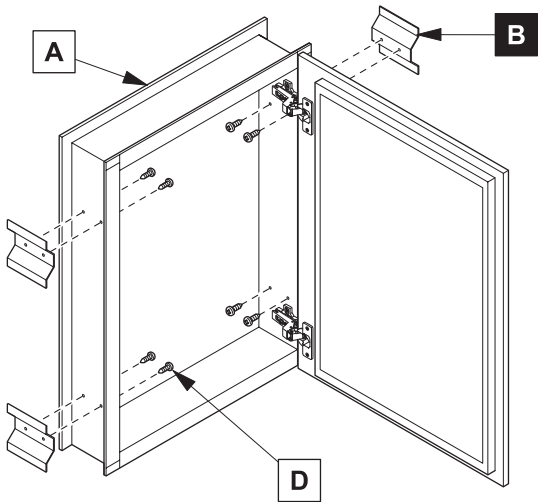
**3** Apply silicone and place sink (E) on the cabinet (F)

**NOTE:** Consult an expert for the proper screws/bolts to use when attaching to various constructions. Screws provided **do not** attach to all wall construction types.

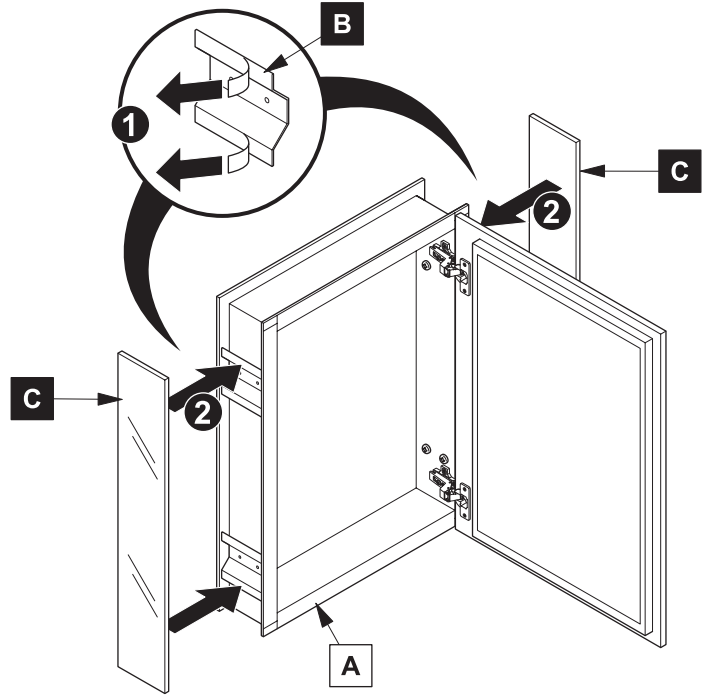


# MEDICINE CABINET INSTALLATION

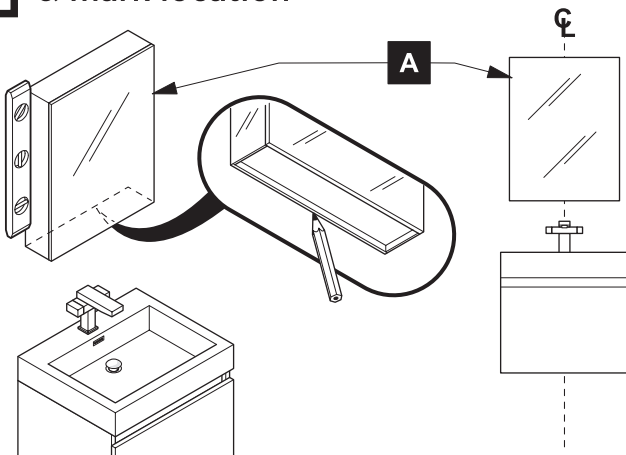
## 1 Locate cabinet (A) & mark location



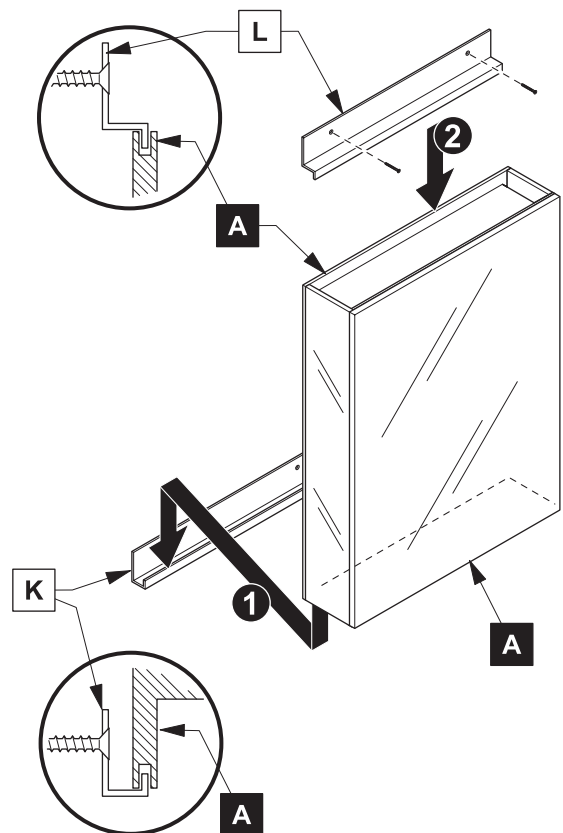
## 2 Install side mirrors (C)



## 3 Place cabinet (A) to the wall & mark location

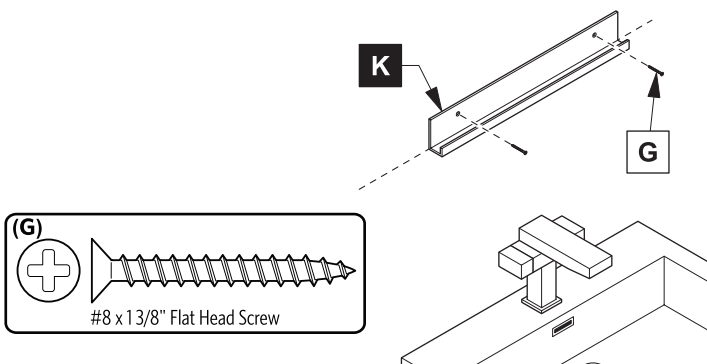


## 5 Place cabinet (A) on the bottom bracket (K) & secure cabinet with a top bracket (L)



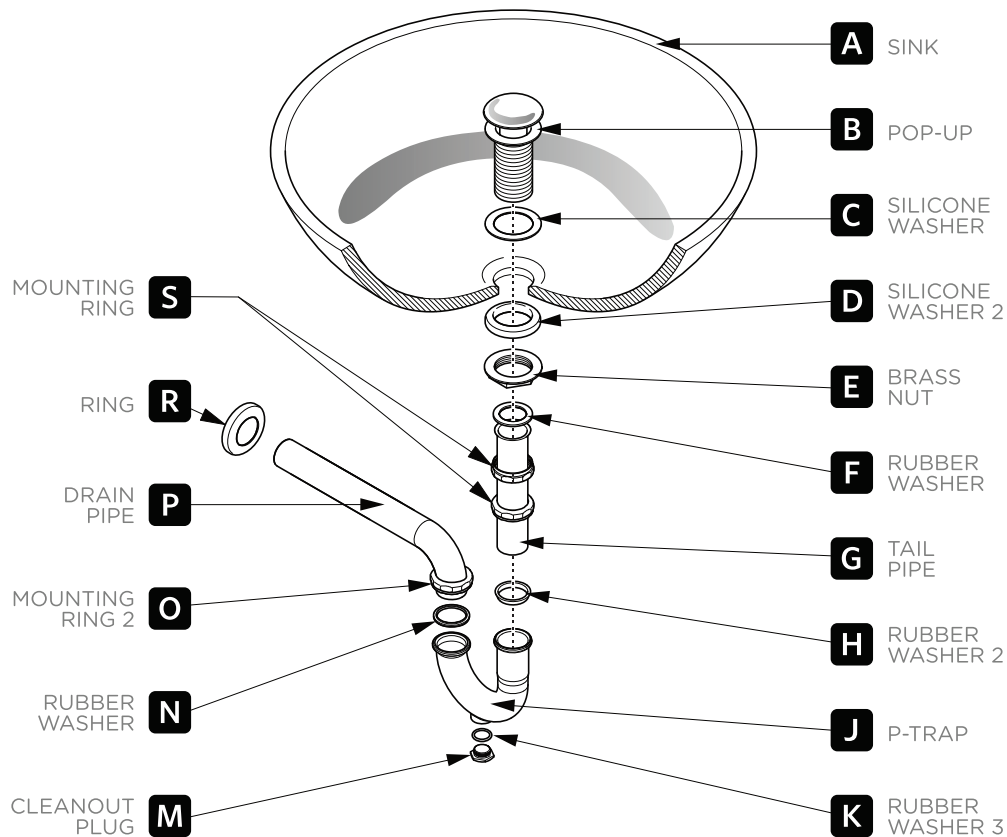
## 4 Install bottom bracket (K) to the wall

**NOTE:** Consult an expert for the proper screws/bolts to use when attaching to various constructions. Screws provided **do not** attach to all wall construction types.



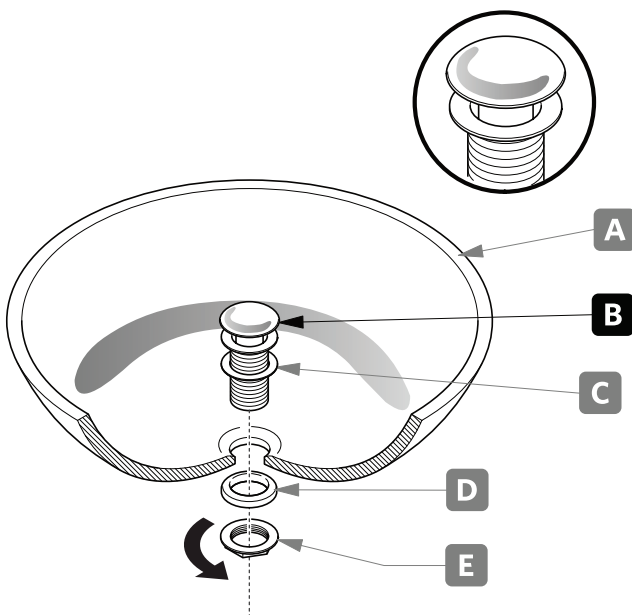
# P-TRAP & POP-UP INSTALLATION INSTRUCTIONS

Your item may appear slightly different from the illustration.



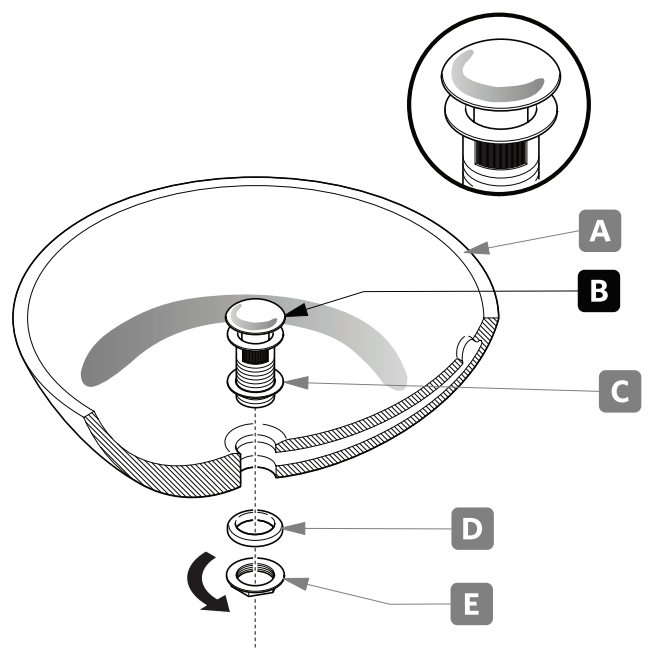
## POP-UP INSTALLATION

**FOR SINKS  
WITHOUT OVERFLOW**



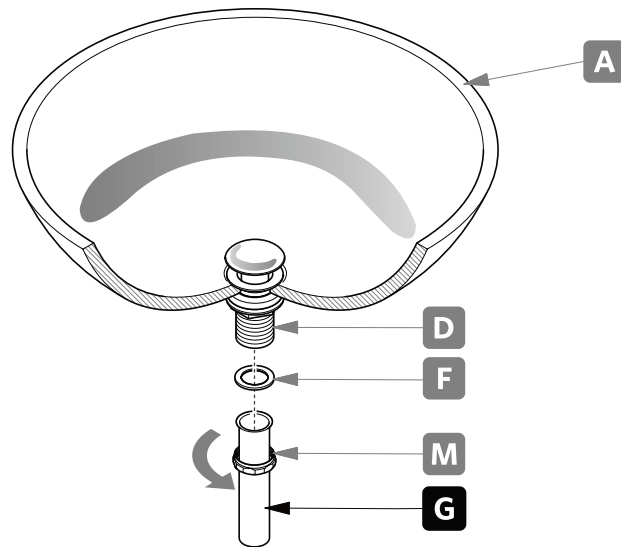
OR

**FOR SINKS  
WITH OVERFLOW**



# P-TRAP INSTALLATION

**1.** Install tail pipe **(G)**.



**2.** Install P-trap **(J)**.

