

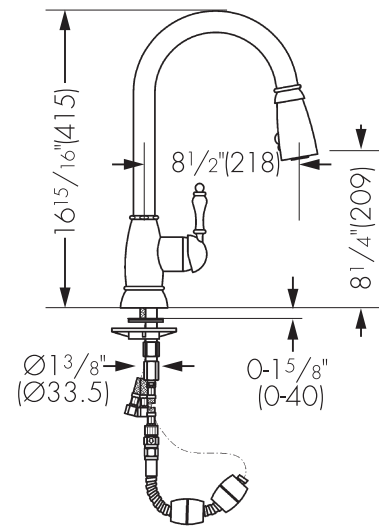
F A U C E T I N S T A L L A T I O N

OPERATION/MAINTENANCE OPERATION/MAINTENANCE

FHPD100, FHPD500 P A R T L I S T

FHPD100, FHPD500 P A R T L I S T

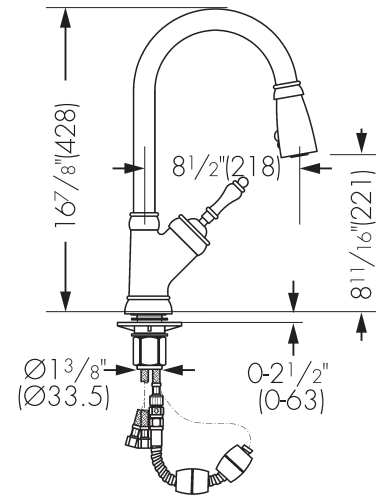
FHPD100



1. Disconnect pull-down spray hose from supply tube.
Important note: Be sure that fiber remains in place in supply tube when reconnecting.
2. Insert faucet body into sink.
3. Mount rubber washer followed by plastic base, if necessary, and metal washer to faucet shank under sink. Mount lock nut to shank and hand-tighten.
4. Be sure the faucet is aligned properly. Make final tightening of lock nut.
5. Reconnect pull-down spray hose to supply tube, being certain that fiber remains in place in supply tube.
6. Connect the supply hoses to the hot and cold water supply valves. Be sure to hold the supply hoses in place when tightening the nut so as not to twist the hoses.
7. Attach weights to hose on spout side of loop, just above bend (use screws provided).
8. Confirm that faucet operating handle is in closed position and open supply valves, check connections for leakage.
9. Disconnect spray head from hose and flush hot and cold water lines until clear to avoid problems with spray head operation. Reconnect spray head, confirming that rubber washer remains in place. Hose will leak if washer are installed incorrectly.

1. Disconnect pull-down spray hose from supply tube.
Important note: Be sure that fiber remains in place in supply tube when reconnecting.
2. Insert faucet body into sink.
3. Mount rubber washer followed by plastic base, if necessary, and metal washer to faucet shank under sink. Mount lock nut to shank and hand-tighten.
4. Be sure the faucet is aligned properly. Make final tightening of lock nut.
5. Reconnect pull-down spray hose to supply tube, being certain that fiber remains in place in supply tube.
6. Connect the supply hoses to the hot and cold water supply valves. Be sure to hold the supply hoses in place when tightening the nut so as not to twist the hoses.
7. Attach weights to hose on spout side of loop, just above bend (use screws provided).
8. Confirm that faucet operating handle is in closed position and open supply valves, check connections for leakage.
9. Disconnect spray head from hose and flush hot and cold water lines until clear to avoid problems with spray head operation. Reconnect spray head, confirming that rubber washer remains in place. Hose will leak if washer are installed incorrectly.

FHPD500



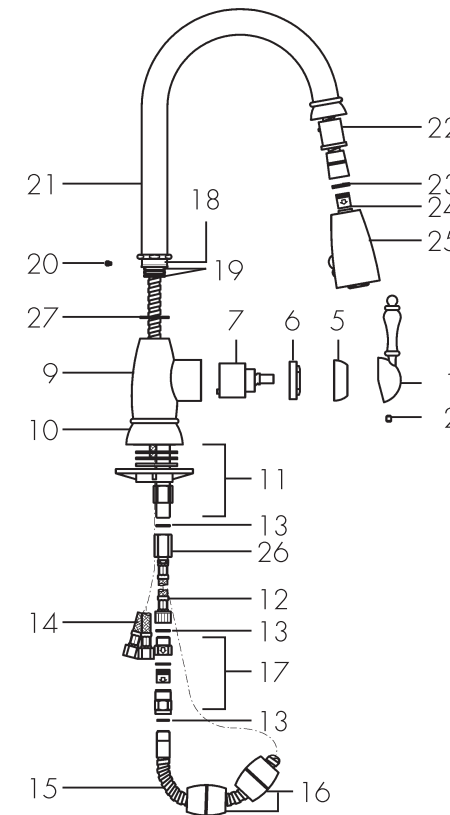
1. The mixer is operated by moving the handle.
2. Swivel hand to the left for hot water.
3. Swivel hand to the right for cold water. Rotate the handle upward and for volume control pull handle away from faucet.
4. On kitchen faucets:
 - A. The hand spray can be drawn approximately 20 inches out of the arm.
 - B. The flow of the water is changed from bubble to needle spray by pushing down upon the diverter button located on top of the hand spray.
 - C. After the water flow has been shut off, the hand spray automatically reverts back to the bubble spray mode.

1. The mixer is operated by moving the handle.
2. Swivel hand to the left for hot water.
3. Swivel hand to the right for cold water. Rotate the handle upward and for volume control pull handle away from faucet.
4. On kitchen faucets:
 - A. The hand spray can be drawn approximately 20 inches out of the arm.
 - B. The flow of the water is changed from bubble to needle spray by pushing down upon the diverter button located on top of the hand spray.
 - C. After the water flow has been shut off, the hand spray automatically reverts back to the bubble spray mode.

Use only clean water or very diluted soapy water with all finishes. Do not use any abrasive cleaners.

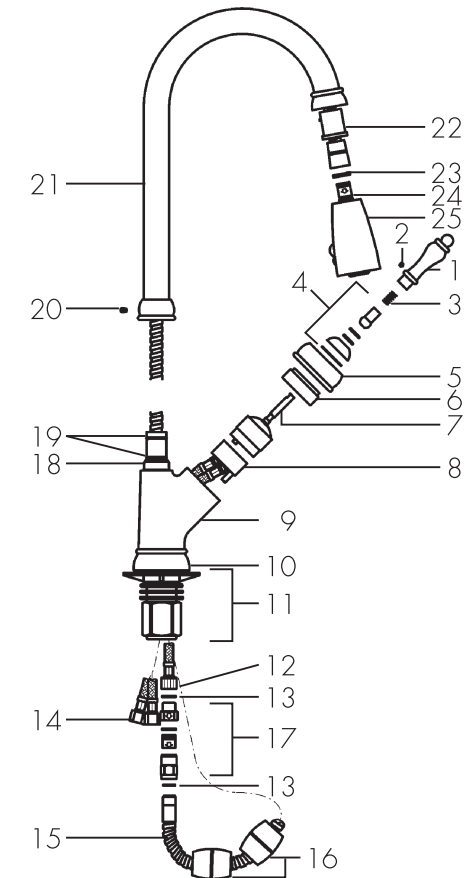
Use only clean water or very diluted soapy water with all finishes. Do not use any abrasive cleaners.

FHPD100



FHPD 100 Drawing	FHPD 100 Part No	FHPD 500 Drawing	FHPD 500 Part No	PART LIST
1	F0512	1	F0511	Lever
2	F1900	2	F1901	Screw
-	-	3	F0500	Spring
-	-	4	F0509	Base handle set (o-rings, conical base, teflon washer, insert)
5	F0101	5	F0103	Cap
6	F0200	6	F0206	Cartridge nut
7	F0305	7	F0303	Cartridge
-	-	8	F2100	Insert
9	F1608	9	F1607	Body
10	F1701	10	F1704	Base
11	F0602	11	F0600	Fastening set
	F0605		F0605	
12	F0804	12	F0804	Supply tube
13	F1002	13	F1002	Fiber washer
14	F0803	14	F0803	Supply flexible hoses
15	F0801	15	F0801	Hose
16	F1200	16	F1200	Weight
17	F0902	17	F0902	Check valve set
18	F1006	18	F1006	Plastic ring
19	F1008	19	F1007	O-ring
20	F1903	20	F1903	Screw
21	F1804	21	F1804	Spout
22	F2101	22	F2101	Plastic insert
23	F1009	23	F1009	Rubber washer
24	F0903	24	F0903	Check valve
25	F0707	25	F0707	Pull down spray
26	F0905	-	-	Nipple
27	F1000	-	-	Teflon ring

FHPD500



FHPD 100 Drawing	FHPD 100 Part No	FHPD 500 Drawing	FHPD 500 Part No	PART LIST
1	F0512	1	F0511	Lever
2	F1900	2	F1901	Screw
-	-	3	F0500	Spring
-	-	4	F0509	Base handle set (o-rings, conical base, teflon washer, insert)
5	F0101	5	F0103	Cap
6	F0200	6	F0206	Cartridge nut
7	F0305	7	F0303	Cartridge
-	-	8	F2100	Insert
9	F1608	9	F1607	Body
10	F1701	10	F1704	Base
11	F0602	11	F0600	Fastening set
	F0605		F0605	
12	F0804	12	F0804	Supply tube
13	F1002	13	F1002	Fiber washer
14	F0803	14	F0803	Supply flexible hoses
15	F0801	15	F0801	Hose
16	F1200	16	F1200	Weight
17	F0902	17	F0902	Check valve set
18	F1006	18	F1006	Plastic ring
19	F1008	19	F1007	O-ring
20	F1903	20	F1903	Screw
21	F1804	21	F1804	Spout
22	F2101	22	F2101	Plastic insert
23	F1009	23	F1009	Rubber washer
24	F0903	24	F0903	Check valve
25	F0707	25	F0707	Pull down spray
26	F0905	-	-	Nipple
27	F1000	-	-	Teflon ring