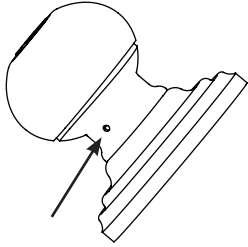
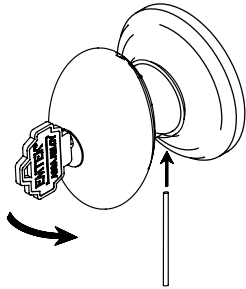


Re-pinning Cylinder (Optional)

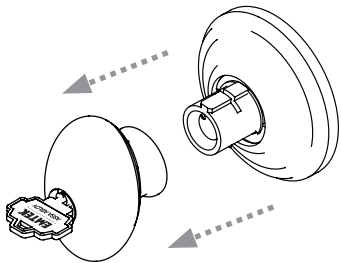
Step 1. Small hole should face down.



Step 2. Rotate key counterclockwise 90° while pressing wire into hole.

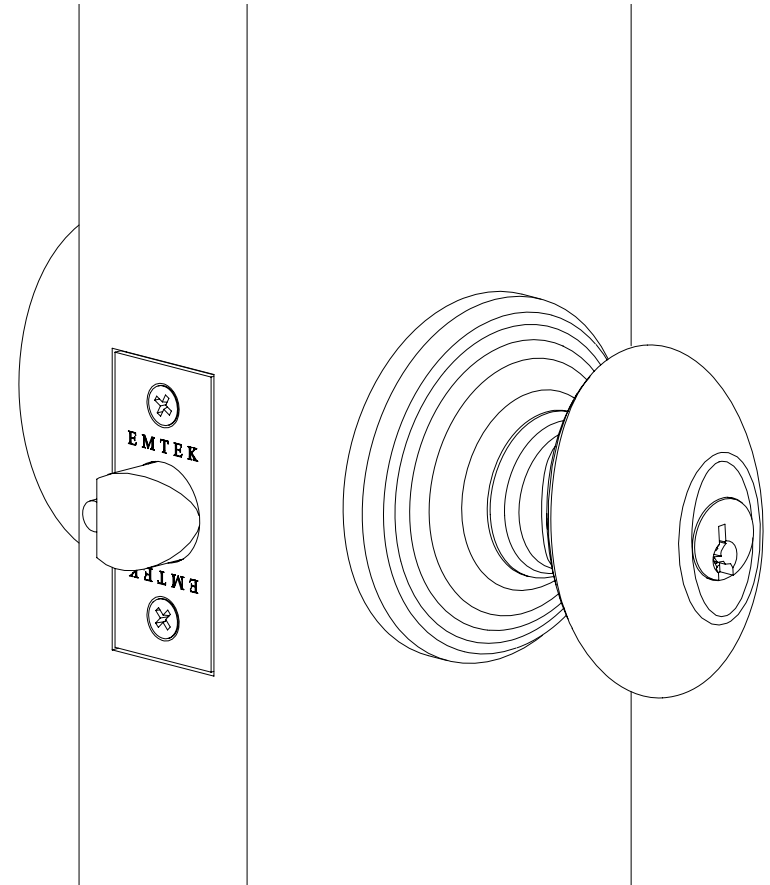


Step 3. Slide knob off stem.



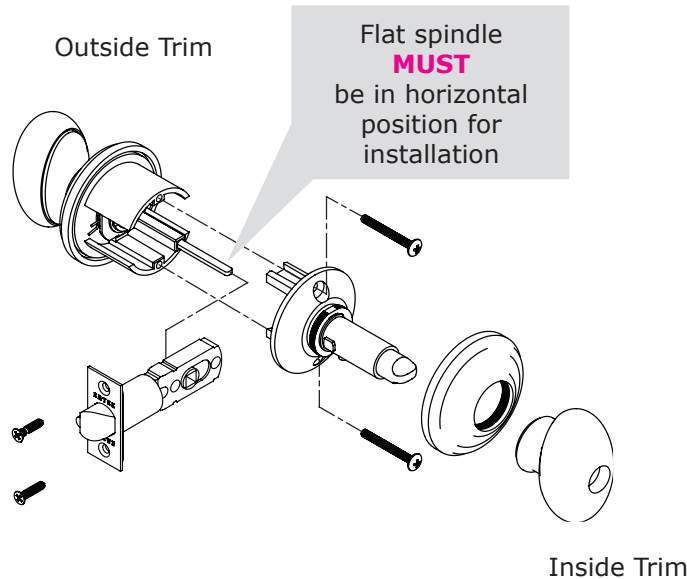
For more information on rekeying cylinder, please scan the QR code for how-to video.

Key in Knob Lock Installation Guide

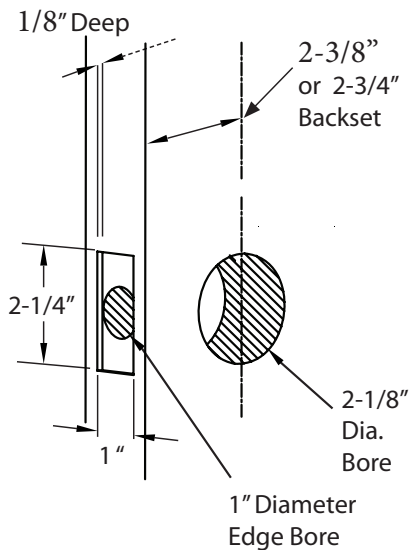


Installation Guide - For Key in Knob Lock

Lock Assembly

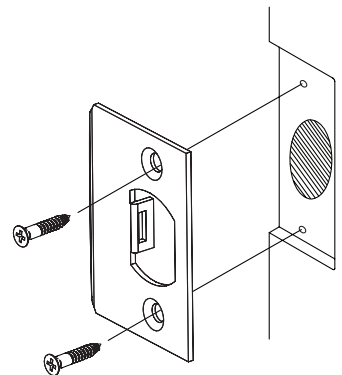


Door Prep



Install Strike Plate

Fasten Strike Plate using Two #8 x 3/4" Wood Screws (provided).

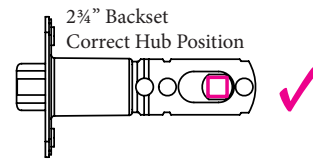
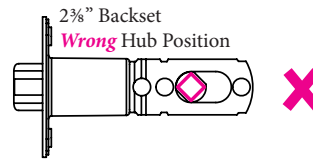
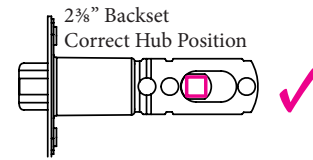


Scan this QR code for installation video



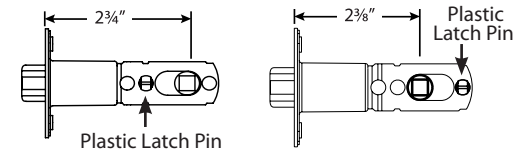
IMPORTANT!

CHECK LATCH HUB POSITION BEFORE INSTALLING



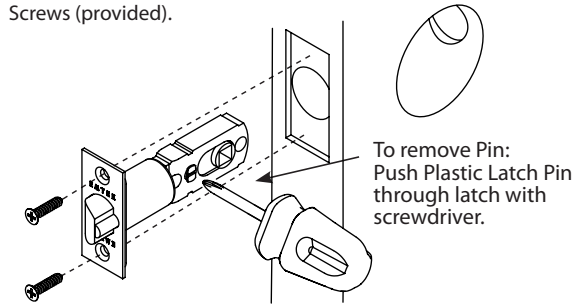
1. Adjust and Install Latch

Step 1. Adjusting for appropriate backset.



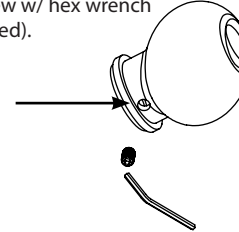
! The Adjustable Latch is factory shipped with a 2-3/4" backset position. Remove pin and slide spindle hub forward for a 2-3/8" backset, then reinsert the pin in the hole at the back of the latch as shown.

Step 2. Fasten Adjustable Latch using two #8 x 3/4" Wood Screws (provided).

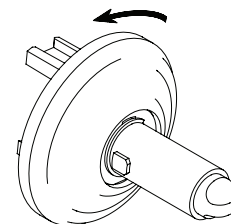


2. Remove Inside Rosette

Step 1. Remove inside knob by loosening set screw w/ hex wrench (provided).

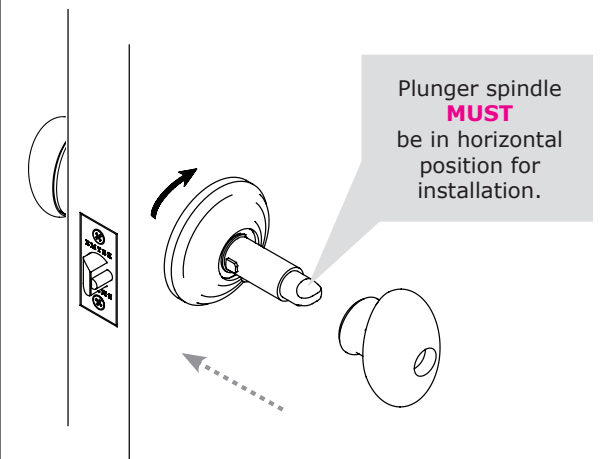


Step 2. Unthread rosette counterclockwise to remove from housing before installing on door.



3. Installing Inside Trim

Step 1. Secure inside rosette to door by threading it clockwise on to stem.



Step 2. Tighten set screw after placing knob on stem.