

Hi-Arc® Dual Handle Kitchen Faucet Models LKD2442, LKD2442BH, and LKD2443

FEATURES

Model LKD2442

- Three hole, dual handle top mount kitchen faucet
 - Three 1-1/2" (38.8mm) diameter faucet holes required
 - Maximum counter top thickness is 1-1/8" (29mm)
- Tubular, high-arc 360° swing spout with restricted flow aerator and brass escutcheon
- Highly polished, chrome plated finish
- Wing handles
- Removable cartridge
- 1/2" (13mm) I.P. connections on 8" (203mm) centers
- Ship Wt. 4-1/2 lbs. (2Kg)
- Maximum flow rate
 - 2.5 GPM/9.5 L/min at 80 P.S.I.G.
 - 2.2 GPM/8.3 L/min at 60 P.S.I.G.

Model LKD2442BH

- Same as LKD2442 except with 4" (102mm) blade handles
- Ship Wt. 4-3/4 lbs. (2.2Kg)

Model LKD2443

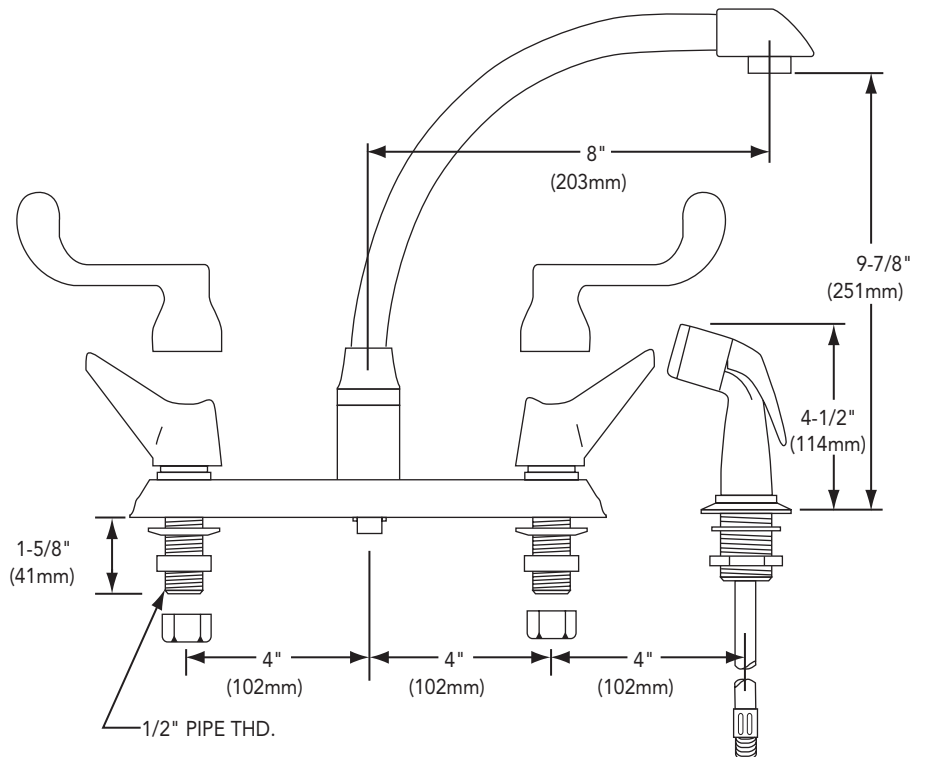
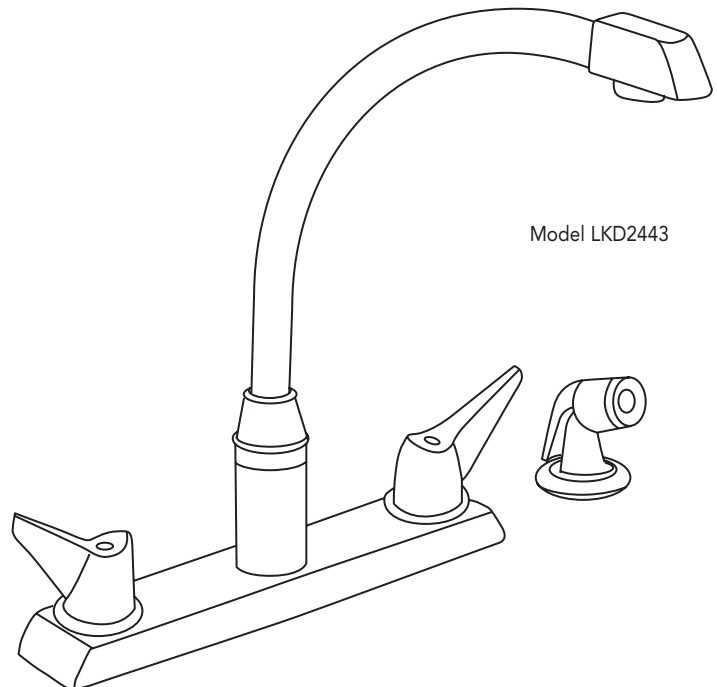
- Same as LKD2443 except with retractable spray and hose
- Four 1-1/2" (38.8mm) diameter faucet holes required
- Ship Wt. 5 lbs. (2.3Kg)

WARRANTY

- Limited Lifetime

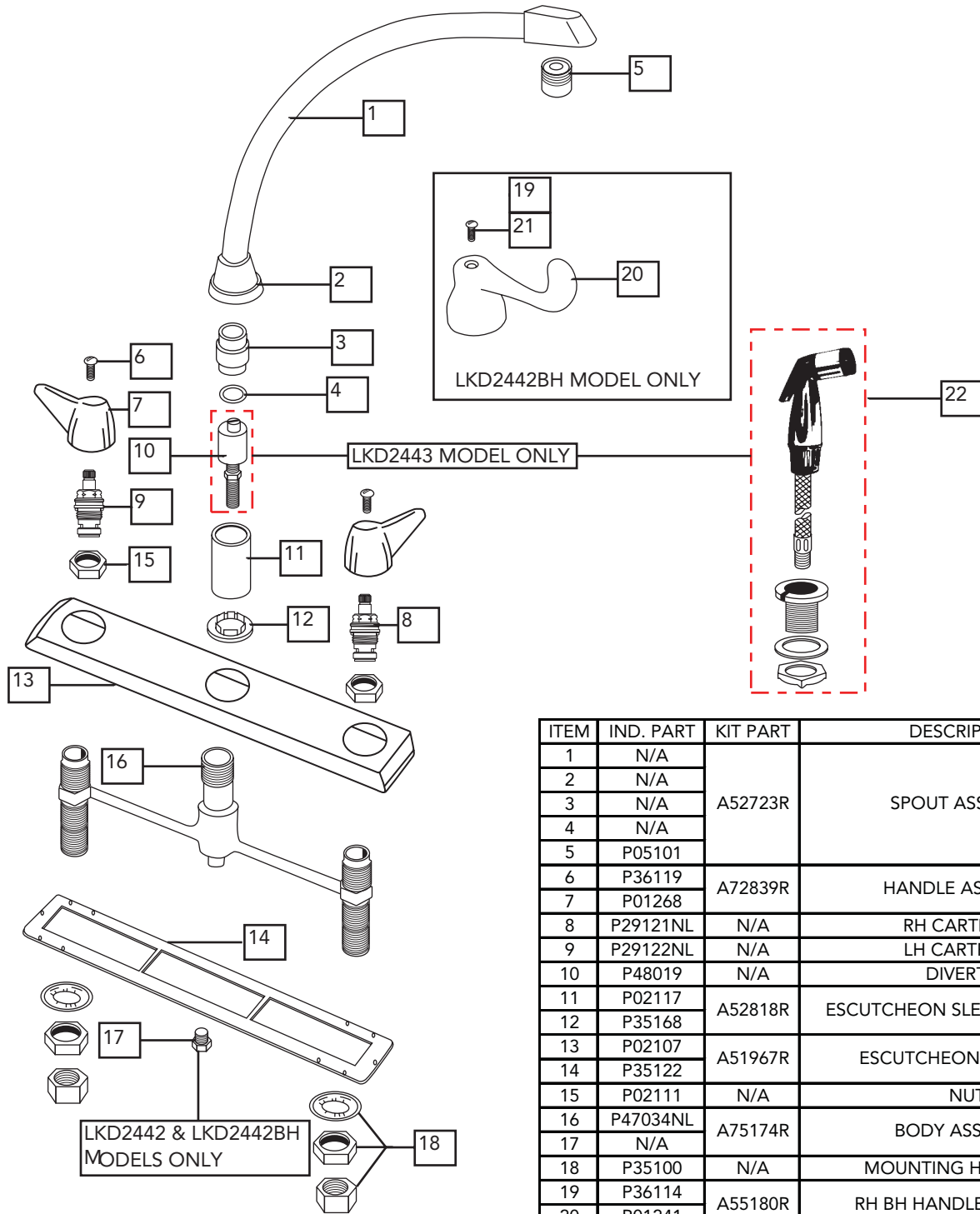
COMPLIES WITH:

- ADA
 - LKD2442 and LKD2442BH models only
- ANSI/NSF61 - Certified
- ASME A112.18.1/CSA B125-01
- CA AB1953/VT S152



SEE OTHER SIDE FOR REPLACEMENT PARTS

Hi-Arc® Dual Handle Kitchen Faucet Models LKD2442, LKD2442BH, and LKD2443



*Parts ending in NL effective 10/1/2009. Prior to 10/1/2009 order part less NL suffix.

ITEM	IND. PART	KIT PART	DESCRIPTION
1	N/A		SPOUT ASSEMBLY
2	N/A		
3	N/A	A52723R	
4	N/A		
5	P05101		
6	P36119	A72839R	HANDLE ASSEMBLY
7	P01268		
8	P29121NL	N/A	RH CARTRIDGE
9	P29122NL	N/A	LH CARTRIDGE
10	P48019	N/A	DIVERTER
11	P02117	A52818R	ESCUTCHEON SLEEVE ASSEMBLY
12	P35168		
13	P02107	A51967R	ESCUTCHEON ASSEMBLY
14	P35122		
15	P02111	N/A	NUT
16	P47034NL	A75174R	BODY ASSEMBLY
17	N/A		
18	P35100	N/A	MOUNTING HARDWARE
19	P36114	A55180R	RH BH HANDLE ASSEMBLY
20	P01241		
20	P01241	A55179R	LH BH HANDLE ASSEMBLY
21	P36115		
22	A55449R	N/A	SIDE SPRAY ASSEMBLY