

FEATURES

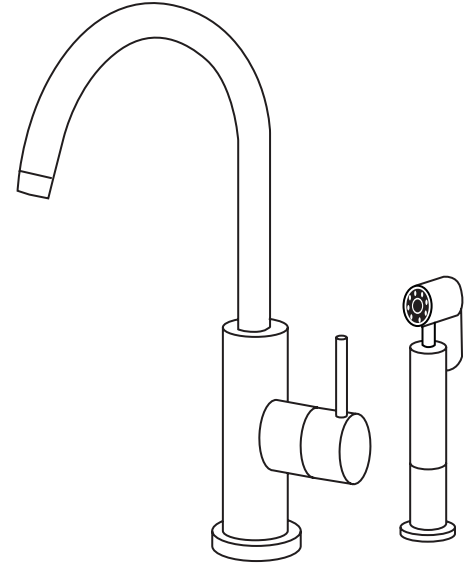
Model LK7921SSS

- Single hole top mount installation
 - 1-1/2" (38mm) faucet hole required
 - Maximum countertop thickness 2-1/2" (64mm)
- Stain stainless steel finish, single-lever faucet
- 360° swing spout
- Ceramic disc cartridge
- Stainless steel construction
- Flexible braided stainless steel supply hoses with 1/2" (13mm) compression fittings
- Ship Wt. 6.6 lbs. (3Kg)
- Due to the weight of this faucet, Elkay recommends that it be installed to an 18" (457mm) gauge stainless steel sink (or heavier) or to a solid surface countertop
- Maximum flow rate
 - 2.5 GPM/9.5 L/min at 80 P.S.I.G.
 - 2.2 GPM/8.3 L/min at 60 P.S.I.G.

Model LK7922SSS

- Same as LK7921SSS except with a retractable side spray
- Two hole top mount installation
 - One 1-1/2" (38mm) diameter faucet holes required for faucet and one 1-1/4" (32mm) diameter faucet holes required for side spray
 - Maximum countertop thickness 1" (25.4mm)
- Ship Wt. 7 lbs. (3.2Kg)

Allure® Single Handle Kitchen Faucet Models LK7921SSS and LK7922SSS



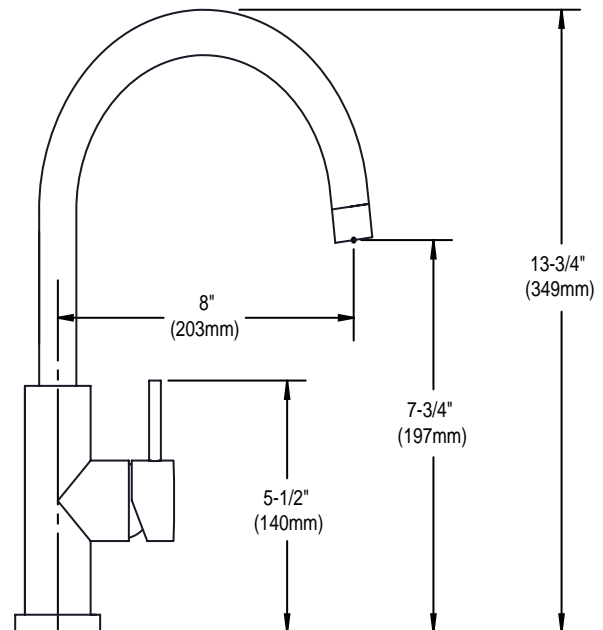
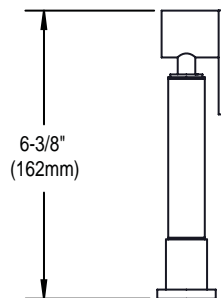
Model LK7922SSS

WARRANTY

- Limited Lifetime

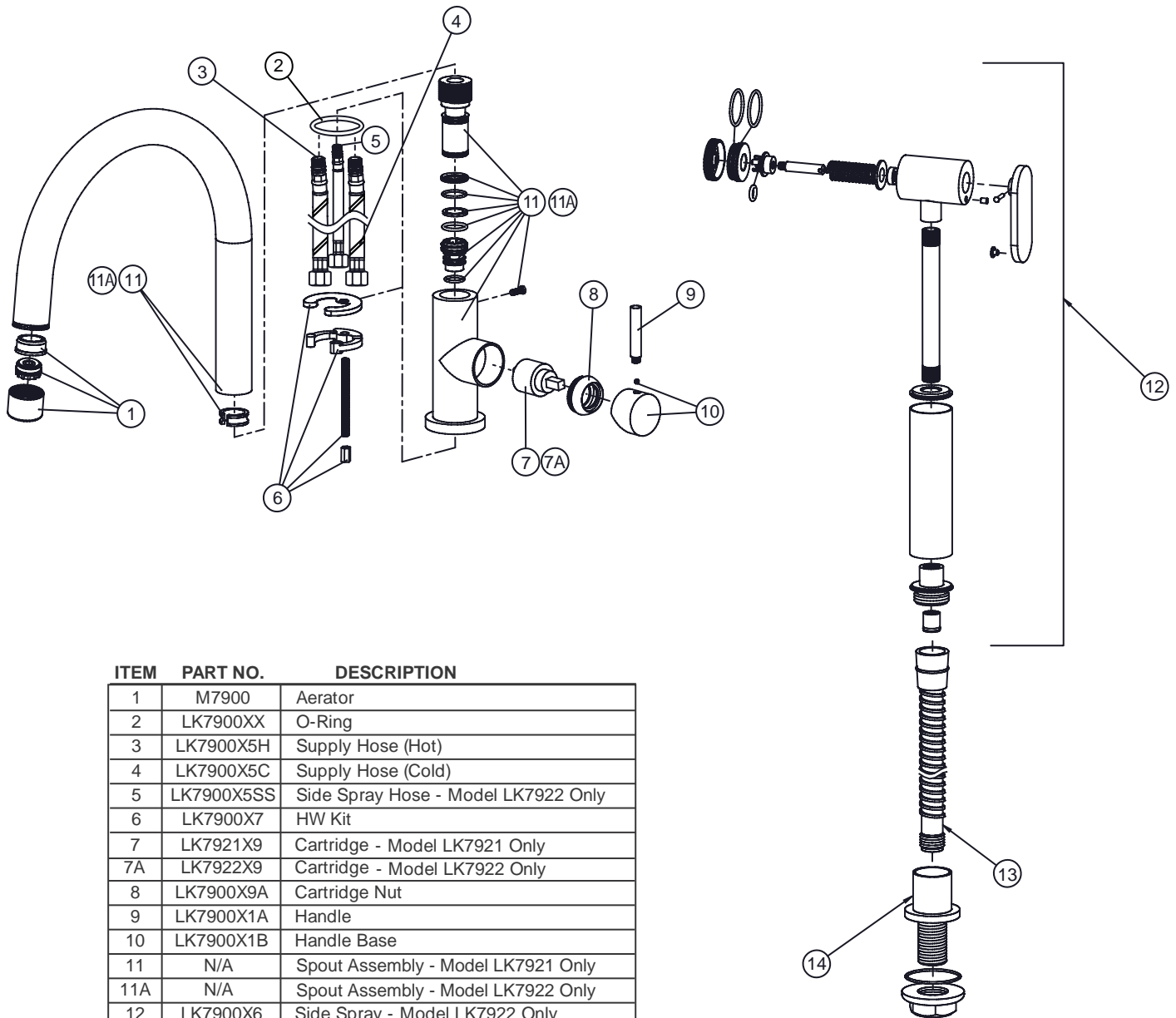
COMPLIES WITH:

- ADA
- ANSI/NSF61 - Certified
- ASME 112.18.1/CSA B125.1 - Certified
- CA AB1953/VT S152
- cUPC - Certified
- UPC - Certified



SEE OTHER SIDE FOR REPLACEMENT PARTS

Allure® Single Handle Kitchen Faucet Models LK7921SSS and LK7922SSS



ITEM	PART NO.	DESCRIPTION
1	M7900	Aerator
2	LK7900XX	O-Ring
3	LK7900X5H	Supply Hose (Hot)
4	LK7900X5C	Supply Hose (Cold)
5	LK7900X5SS	Side Spray Hose - Model LK7922 Only
6	LK7900X7	HW Kit
7	LK7921X9	Cartridge - Model LK7921 Only
7A	LK7922X9	Cartridge - Model LK7922 Only
8	LK7900X9A	Cartridge Nut
9	LK7900X1A	Handle
10	LK7900X1B	Handle Base
11	N/A	Spout Assembly - Model LK7921 Only
11A	N/A	Spout Assembly - Model LK7922 Only
12	LK7900X6	Side Spray - Model LK7922 Only
13	LK7922X5SS	Side Spray Hose - Model LK7922 Only
14	LK7900X7SS	Side Spray HW Kit - Model LK7922 Only