

Ella™ Deck Mount Pot Filler Model LK7767

FEATURES

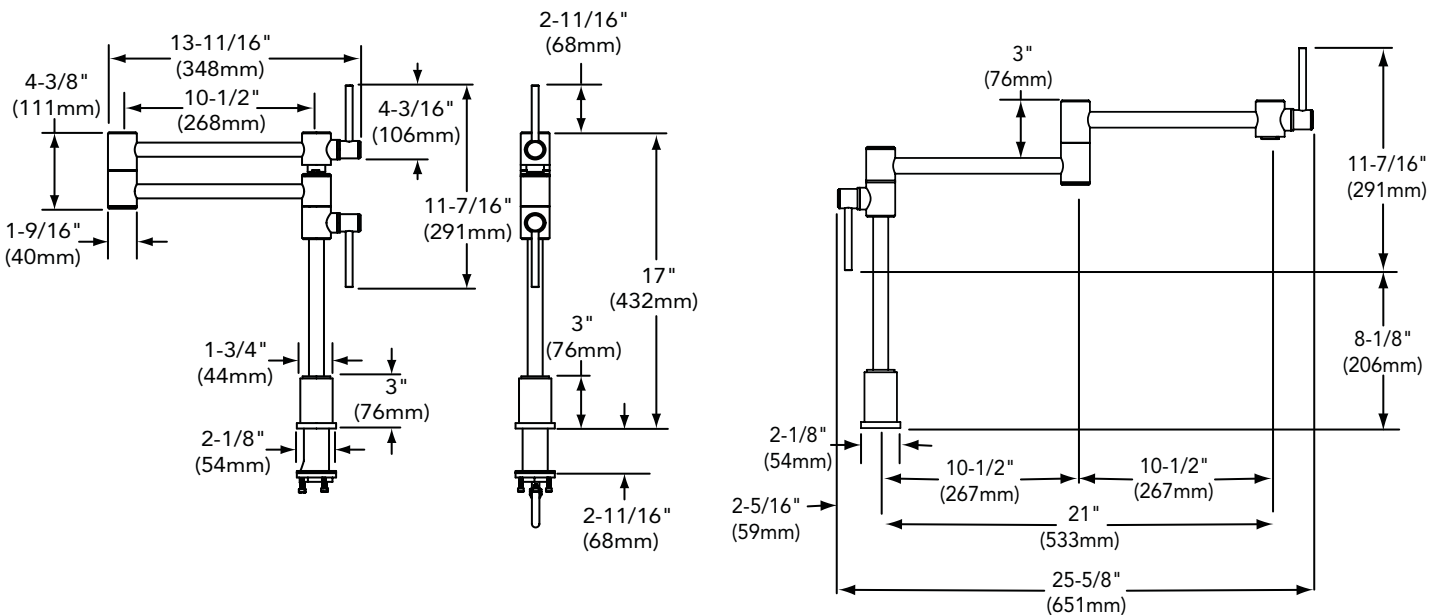
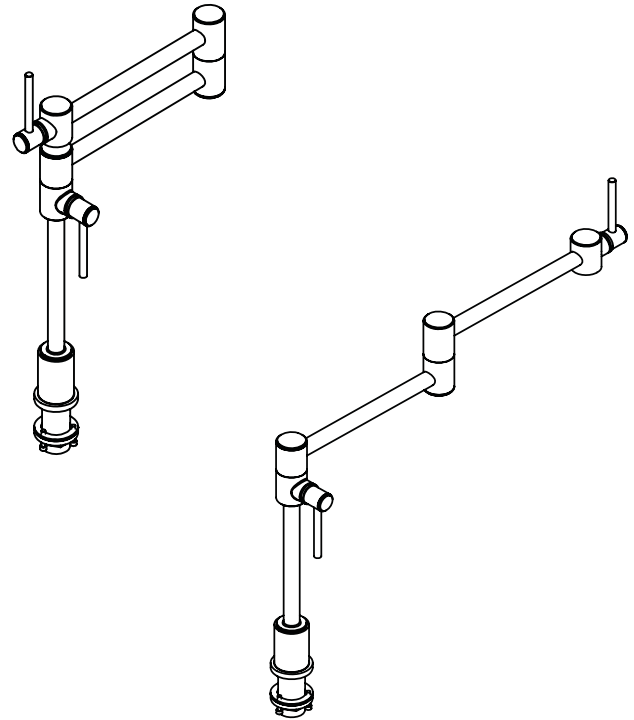
- Single hole deck mount installation
 - 1-1/2" (38mm) diameter faucet hole required
 - Maximum counter thickness 2-1/2" (64mm)
- Dual-lever pot filler
- Stainless steel construction
- 360° swing arms
- Ceramic disc cartridge
- Available in the following finishes
 - Polished stainless steel **LK7767PSS**
 - Satin stainless steel **LK7767SSS**
- Ship Wt. 10 lbs. (4.5Kg)
- Maximum flow rate
 - 2.5 GPM/9.5 L/min at 80 P.S.I.G.
 - 2.2 GPM/8.3 L/min at 60 P.S.I.G.

WARRANTY

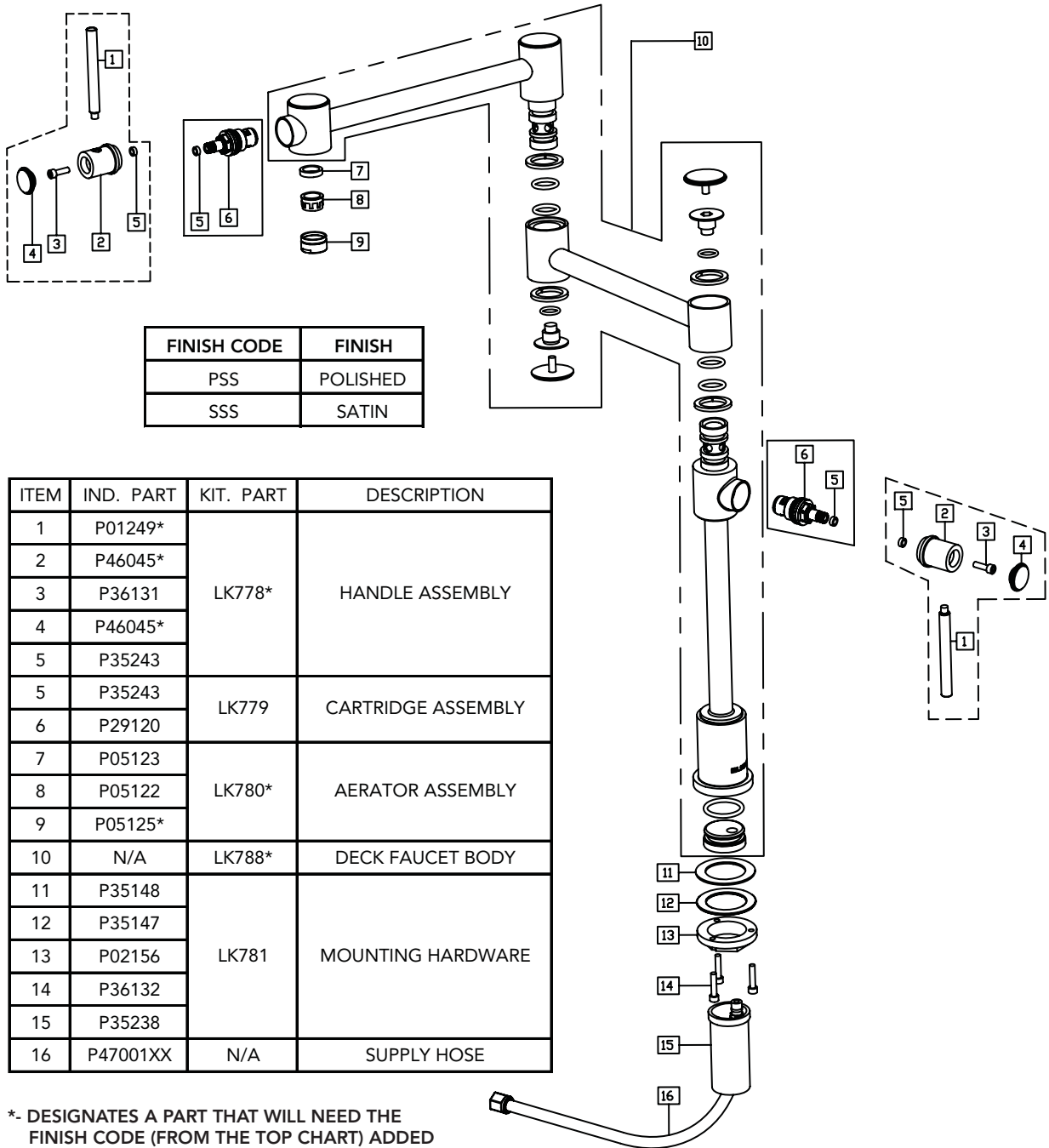
- Limited Lifetime

COMPLIES WITH:

- ADA
- ANSI/NSF61 - Certified
- ASME A112.18.1/CSA B125-01
- CA AB1953 /VT S152



SEE OTHER SIDE FOR REPLACEMENT PARTS



FINISH CODE	FINISH
PSS	POLISHED
SSS	SATIN

ITEM	IND. PART	KIT. PART	DESCRIPTION
1	P01249*	LK778*	HANDLE ASSEMBLY
2	P46045*		
3	P36131		
4	P46045*		
5	P35243		
5	P35243	LK779	CARTRIDGE ASSEMBLY
6	P29120		
7	P05123	LK780*	AERATOR ASSEMBLY
8	P05122		
9	P05125*		
10	N/A	LK788*	DECK FAUCET BODY
11	P35148	LK781	MOUNTING HARDWARE
12	P35147		
13	P02156		
14	P36132		
15	P35238		
16	P47001XX	N/A	SUPPLY HOSE

*- DESIGNATES A PART THAT WILL NEED THE FINISH CODE (FROM THE TOP CHART) ADDED TO THE END FOR ORDERING. I.E. LK778PSS