

**SPECIFICATIONS**

**GENERAL**

Highest quality sink seamlessly drawn of #18 gauge, type 302 (18-8) nickel bearing stainless steel. Underside of sink is fully protected by heavy duty Sound Guard undercoating. Designed to accept waste disposer.

**DESIGN FEATURES**

Bowl Depth: 7-7/8" (ELU(H)-1418), 10" (ELU(H)-1418-10).  
 Finish: Exposed surfaces are hand blended to a lustrous high-lighted satin finish. ELUH models have highlighted inside top bowl radius.  
 Underside: Underside of sink is fully protected by heavy duty Sound Guard undercoating to prevent condensation and deaden sound.

**OTHER**

Drain opening: 3-1/2".  
 Note: All Elkay custom design undermount sinks are designed to affix easily to the underside of any solid surface countertop.  
 Installation: See illustrated profile below.

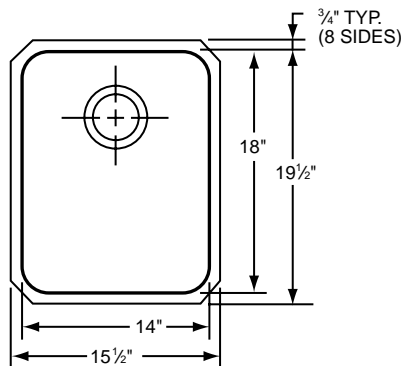


Model ELU-1418 Shown  
 Note: Drain not included.  
 Available as accessory item.

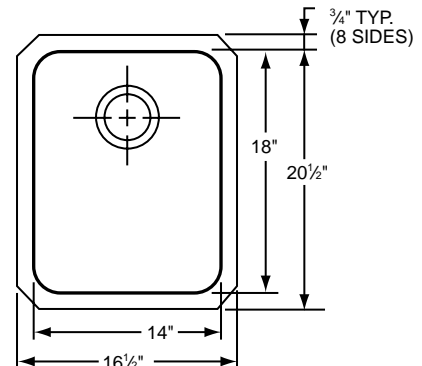
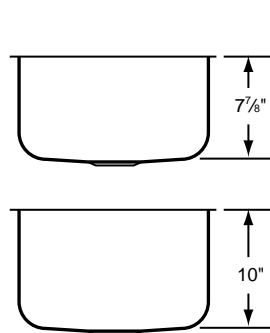
**SINK DIMENSIONS**

Model Number	DIMENSIONS IN INCHES					Cutout in Countertop	Ship. Wt. Lbs.
	Length is left to right. Width is front to back.						
	Overall		Inside Each Bowl				
	L	W	L	W	D		
ELU-1418	15 1/2	19 1/2	14	18	7 7/8	See Template*	13
ELU-1418-10	15 1/2	19 1/2	14	18	10		13
ELUH-1418	16 1/2	20 1/2	14	18	7 7/8		13
ELUH-1418-10	16 1/2	20 1/2	14	18	10		13

\*Template and countertop mounting clips are packed with every sink.



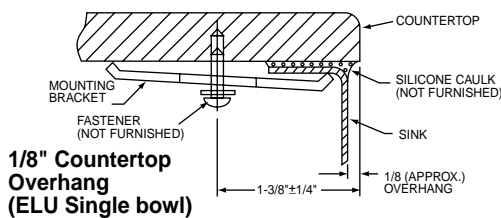
ELU-1418/10



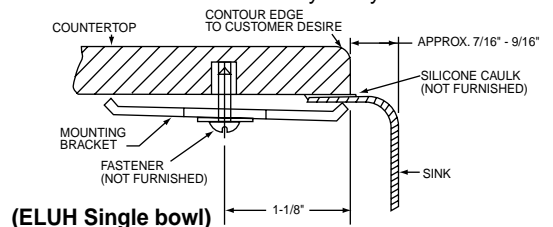
ELUH-1418/10

**Installation Profile of ELU and ELUH Single Bowl Models**

The template provided with each ELU/ELUH sink provides the only type of installation recommended by Elkay.



**1/8" Countertop Overhang (ELU Single bowl)**



**(ELUH Single bowl)**

ALL DIMENSIONS IN INCHES. TO CONVERT TO MILLIMETERS MULTIPLY BY 25.4.

In keeping with our policy of continuing product improvement, Elkay reserves the right to change product specifications without notice.

This specification describes an Elkay product with design, quality and functional benefits to the user. When making a comparison of other producers' offerings, be certain these features are not overlooked.